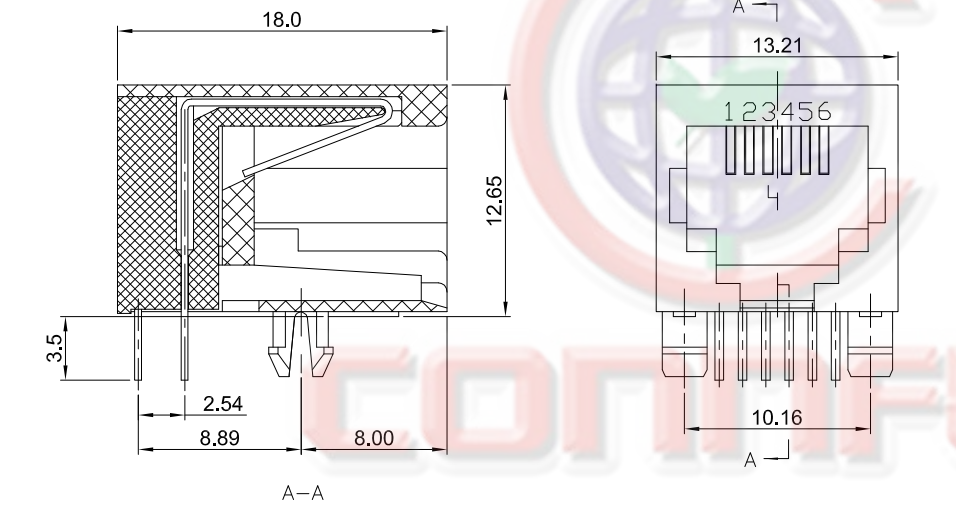


The information provided herein is from CONNELY Electronic Co., Ltd. and is confidential. Any disclosure to a party other than the recipient is prohibited. The intellectual properties and its rights contained herein, including but not limited to, trademarks, patents, copyrights, trade secrets, and technical know-how, are owned exclusively by CONNELY or its affiliates. Unauthorized use of this information in any format or manner. CONNELY may enforce its intellectual property rights at its own discretion; failures or delays to exercise such rights does not constitute a waiver of such rights.

1 2 3 4 5 6 7 8

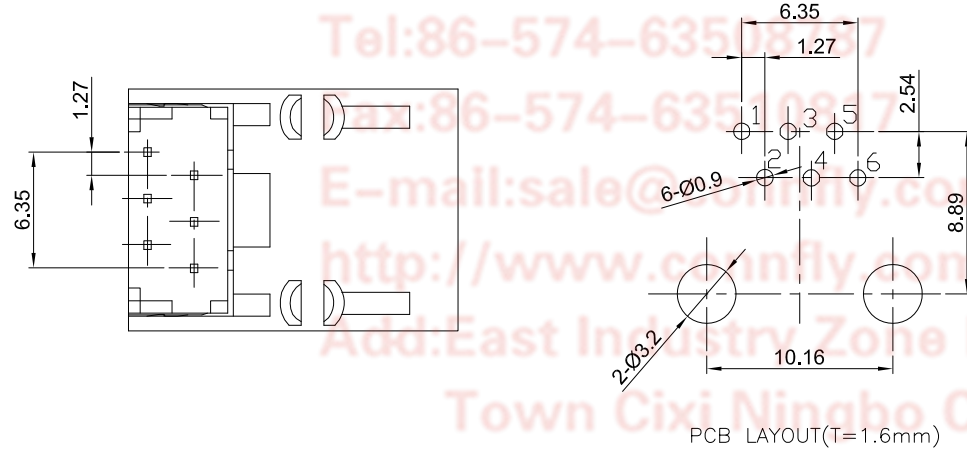
REV.	DESCRIPTION	DRAWN	CHECKED	APPROVED
A	NEW RELEASE	LJC 11/13/13'		LJC 11/13/13'
B	DRAWING UPDATE	JLZ 08/15/18'		



- NOTES:**
- ELECTRICAL CHARACTERISTICS:
 - CONTACT RESISTANCE: 20mΩ Max.
 - DIELECTRIC WITHSTANDING VOLTAGE: 500V AC(rms) FOR 1 MINUTE.
 - INSULATION RESISTANCE: 1000MΩ Min.
 - CURRENT RATING: 1.5A.
 - VOLTAGE RATING: 125V AC RMS.
 - ENVIRONMENT CHARACTERISTICS:
 - TEMPERATURE: -40°C~+85°C.
 - MATERIALS
 - CONTACT MATERIAL: COPPER ALLOY.
 - CONTACT PLATING: SELECTIVE GOLD OVER NICKEL.
 - INSULATOR MATERIALS: PBT/NYLON, UL94-V0.
 - PRODUCT NUMBER CODE:

DS1133-07 - X X X X X

- Housing Materials
P:PBT
N:NYLON
- Housing Color
A:Gray
B:Black
- Contact Plating
0:Selective Gold Flash
3:Selective 3u" Gold
- No.Of Contacts
6:6P6C 4:6P4C
- Connector Type
S:Socket



Tel:86-574-6351857
 Fax:86-574-6351857
 E-mail:sale@connely.com
 http://www.connely.com
 Add:East Industry Zone KuangYan
 Town Cixi Ningbo China
 P.C:315333

GENERAL TOLERANCE		ANGLE TOLERANCE		PROJECTION		TITLE
X.	±0.60	X.	±5°	UNITS	mm	PCB JACK 6P R/A TYPE
.X	±0.38	.X	±3°	SHEET SIZE	A4	SERIES DS1133-07 SERIES
.XX	±0.25	.XX	±2°	晨翔电子有限公司 CONNELY CONNELY ELECTRONIC CO. LTD		
DRAWING TYPE		CUSTOMER				
SCALE		1:1 SHEET 1 OF 1				
DRAWING NO.		C-DS1133-07-XXXXX-B				

1 2 3 4 5 6 7 8