

REV.	DESCRIPTION	DRAWN	CHECKED	APPROVED
A	NEW RELEASE	JLZ 04/25/16'		

NOTES:

- ELECTRICAL CHARACTERISTICS:
 - CONTACT RESISTANCE: 20mΩ Max.
 - DIELECTRIC WITHSTANDING VOLTAGE: 1000V AC(rms) FOR 1 MINUTE.
 - INSULATION RESISTANCE: 1000MΩ Min @ 500V DC.
 - CURRENT RATING:1.5A @ 25°C.
 - VOLTAGE RATING:150V AC RMS.
- ENVIRONMENT CHARACTERISTICS:
 - TEMPERATURE: -40°C~+85°C.
- MATERIALS
 - CONTACT MATERIAL: COPPER ALLOY, SELECTIVE GOLD.
 - INSULATOR MATERIALS: LCP,UL94-V0.
- PRODUCT NUMBER CODE:
DS1132-06-X X X X X

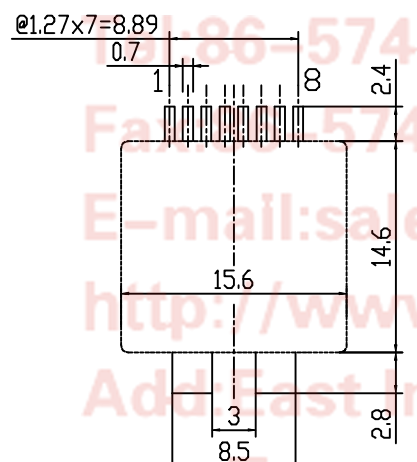
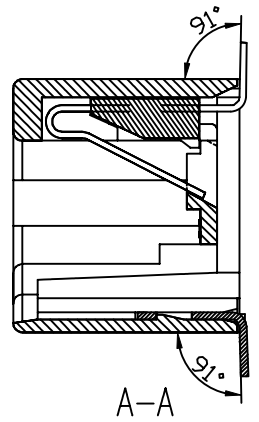
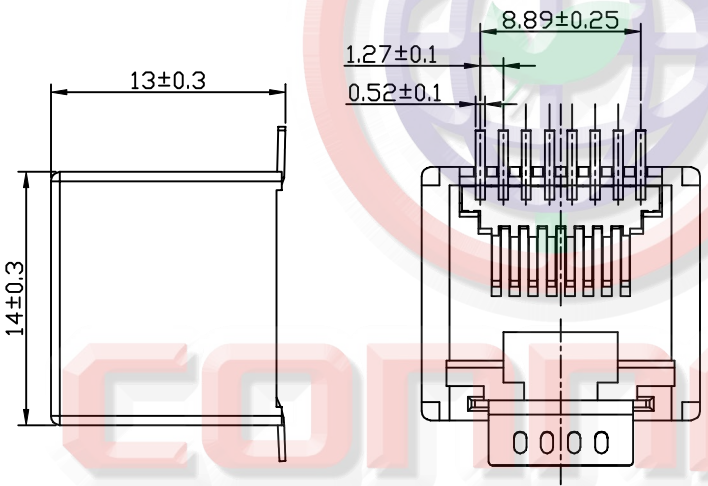
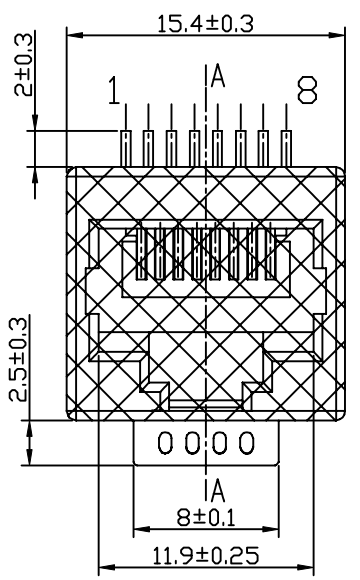
Packing type
 R:Tape on reel
 T:Tray

 Contact Plating
 O:Seclective Gold Flash

 Housing Color
 B:Black

 No.Of Contacts
 8:8p8c

 Connector Type
 S:Socket



RECOMMEND PCB LAYOUT
(TOLERANCE=±0.05)

GENERAL TOLERANCE		ANGLE TOLERANCE	
X.	±0.60	X.	±5°
.X	±0.38	.X	±3°
.XX	±0.25	.XX	±2°

PROJECTION	TITLE
	PCB Jack 8 Positions W/O Shell SMT TYPE
UNITS	mm
SHEET SIZE	A4
SERIES	DS1132-06 SERIES

DRAWING TYPE	CUSTOMER
SCALE	1:1 SHEET 1 OF 1
DRAWING NO.	C-DS1132-06-XXXXX-A

晨翔电子有限公司
CONNFLY CONNFLY ELECTRONIC CO. LTD