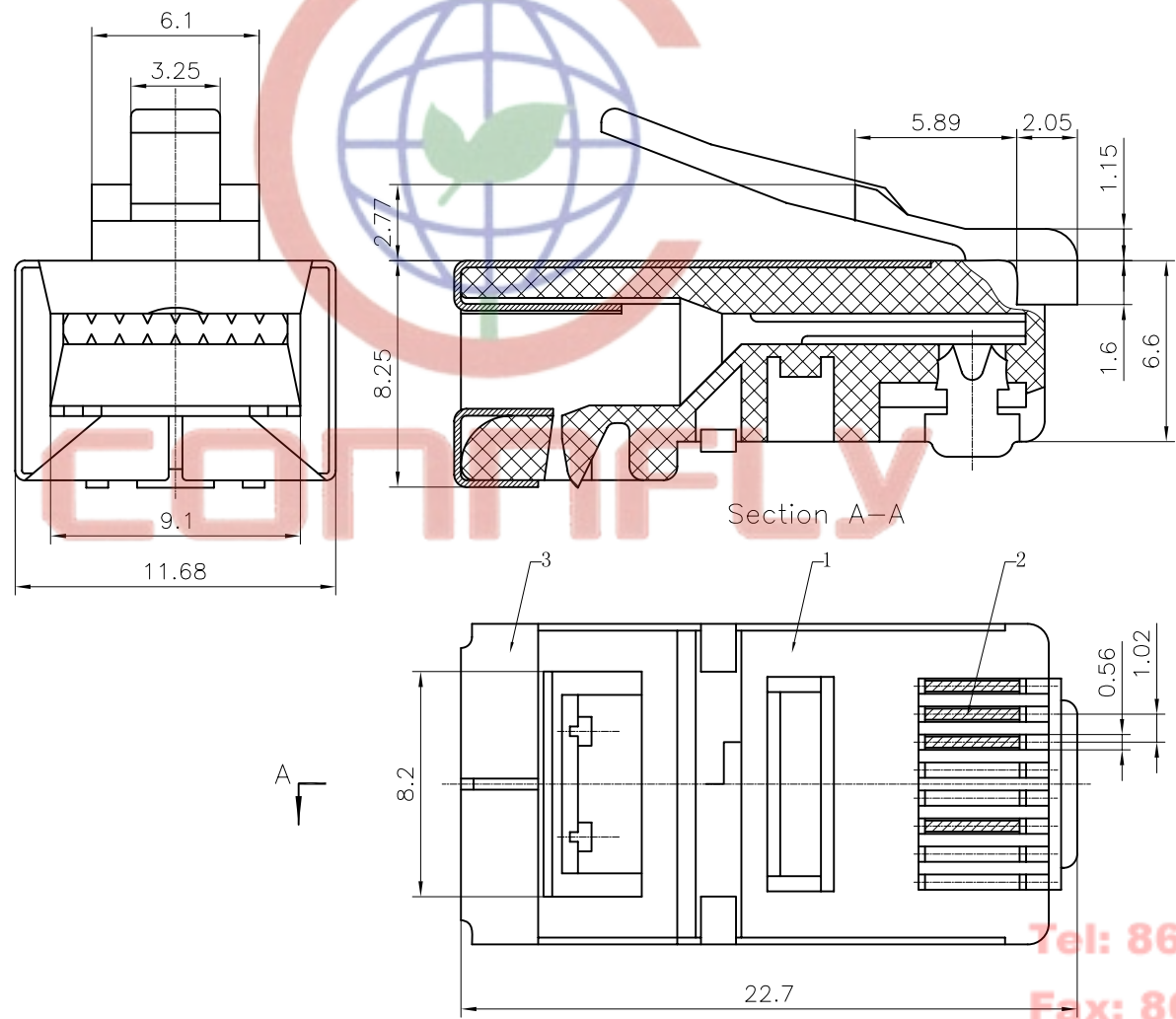


REV.	DESCRIPTION	DRAWN	CHECKED	APPROVED
A	NEW RELEASE	YCH 08/23/07'	~	



SPECIFICATION

1. Insulation Resistance:1000MΩ Min.
2. Withstand Voltage:500V AC/Minute.
3. Durability:600 Cycles Min.
4. Contact resistance:50mΩ max.
5. Product Number Code:

DS1123-26 - X X X X X

- Shell plating
N:Nickel
- Housing Color
T:Transparent
- Contact Plating
0:Gold Flash 15:15u''Au
3:3u''Au 30:30u''Au
6:6u''Au
- No.Of Contacts
4:8p4c
- Connector Type
P:Plug
- Series No.
DS1123-26

Tel: 86-574-63508787
Fax: 86-574-63510817

No.	PART NAME	Q'TY	MATERIAL	REMARK	GENERAL TOLERANCE	ANGLE TOLERANCE	PROJECTION	TITLE
(3)	SHELL	1	Copper alloy	PIATING PLATING	X. ±0.60 .X ±0.38 .XX ±0.25	X. ±5' .X ±3' .XX ±2'	mm	PLUG 8P4C (PIN 1, 2, 3, 6) WITH SHELL SQUARE TYPE
(2)	BLADE	4	Copper alloy	GOLD PLATING			A4	SERIES DS1123-26 SERIES
(1)	HOUSING	1	PC	UL94 V-0 OR 94 V-2				
					DRAWING TYPE	CUSTOMER		
					SCALE	1:1	SHEET	1 OF 1
					DRAWING NO.	C-DS1123-26-XXXX		


晨翔电子有限公司
CONNFLY CONNFLY ELECTRONIC CO. LTD

P.C.:31521