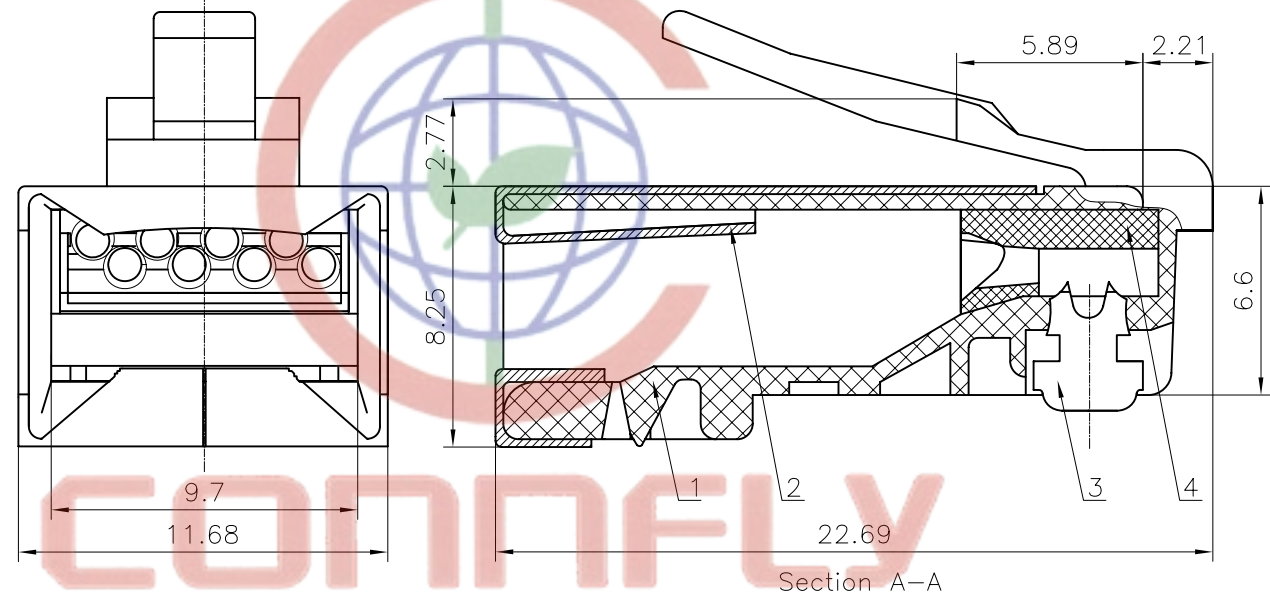


REV.	DESCRIPTION	DRAWN	CHECKED	APPROVED
A	NEW RELEASE	YCH 08/23/07'	~	

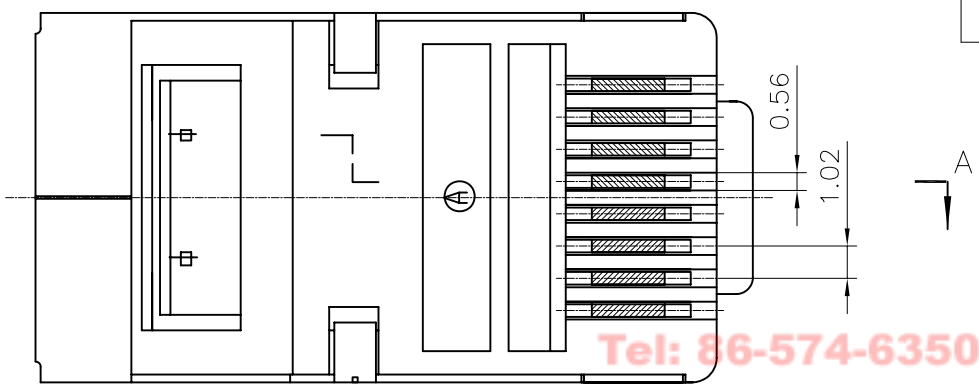


SPECIFICATION

1. Insulation Resistance:1000MΩ Min.
2. Withstand Voltage:500V AC/Minute.
3. Durability:600 Cycles Min.
4. Contact resistance:50mΩ max.
5. Product Number Code:

DS1123-18 - X X X X X

- Shell Plating
N:Nickel
- Housing Color
T:Transparent
- Contact Plating
0:Gold Flash 15:15u''Au
3:3u''Au 30:30u''Au
6:6u''Au
- No.Of Contacts
8:8p8c
- Connector Type
P:Plug
- Series No.
DS1123-18



Tel: 86-574-63508787
Fax: 86-574-63510817

(4)	COVER	1	PC	UL94 V-0 OR 94 V-2
(3)	BLADE	8	Copper alloy	GOLD PLATING
(2)	SHELL	1	Copper alloy	NICKEL PLATING
(1)	HOUSING	1	PC	UL94 V-0 OR 94 V-2
No.	PART NAME	Q'TY	MATERIAL	REMARK

GENERAL TOLERANCE		ANGLE TOLERANCE	
X.	±0.60	X.	±5'
.X	±0.38	.X	±3'
.XX	±0.25	.XX	±2'

DRAWING TYPE	CUSTOMER
SCALE	1:1 SHEET 1 OF 1
DRAWING NO.	C-DS1123-18-XXXX

PROJECTION	TITLE
UNITS mm	PLUG 8P8C WITH COVER & SHELL TYPE
SHEET SIZE A4	SERIES DS1123-18 SERIES

晨翔电子有限公司
CONNFLY CONNFLY ELECTRONIC CO. LTD