

REV.	DESCRIPTION	DRAWN	CHECKED	APPROVED
A	NEW RELEASE	JLZ 06/07/17'		

NOTES:

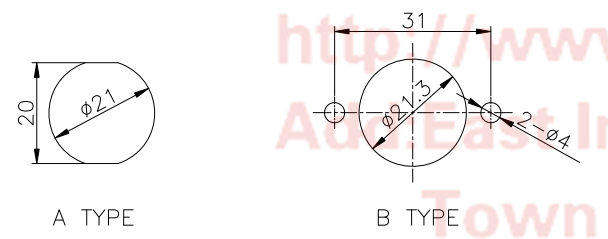
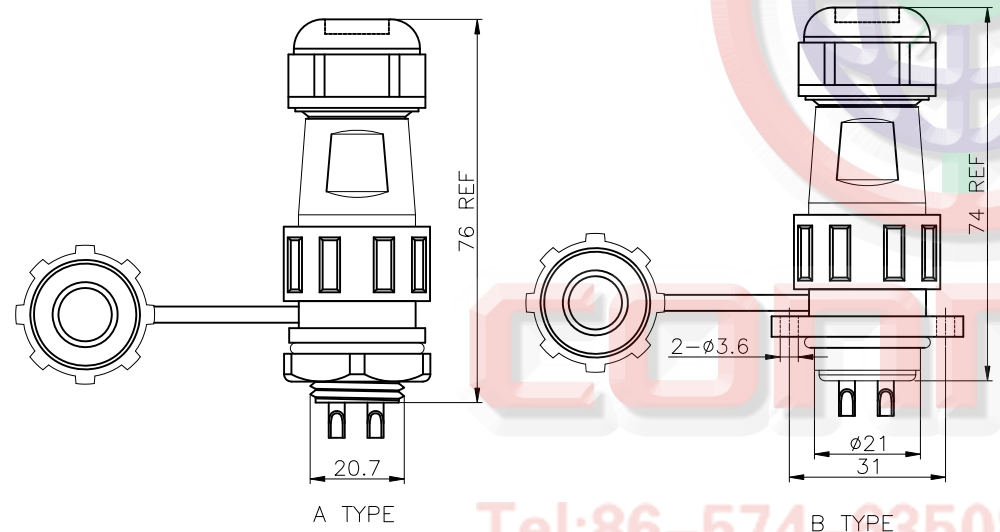
1.SPECIFICATION

- .CURRENT RATING: 3A~5A Max.
- .DIELECTRIC WITH STANDING VOLTAGE: 500V(AC)
- .CONTACT RESISTANCE: 50mΩ Max.
- .INSULATION RESISTANCE: 1000MΩ(DC)Min

2.PRODUCT NUMBER CODE:

DS1110-26 - X X X X X

- INSTALL TYPE  
A: A TYPE  
B: B TYPE
- CONTACT PLATING  
8: GOLD FLASH
- COLOR OF NUT:  
U: BLUE
- COLOR OF HOUSING:  
B: BLACK
- No. OF CONTACTS  
2 3 4



SUGGESTED PANEL OPENING

Tel:86-574-63508787  
 Fax:86-574-63510817  
 E-mail:sale@connfly.com  
 http://www.connfly.com  
 Add:East Industry Zone KuangYan  
 Town Cixi Ningbo China  
 P.C:315333

GENERAL TOLERANCE		ANGLE TOLERANCE	
X.	±2.0	X.	±5'
.X	±1.0	.X	±3'
.XX	±0.5	.XX	±2'

DRAWING TYPE	CUSTOMER		
SCALE	1:1	SHEET	1 OF 1
DRAWING NO.	C-DS1110-26-XXXXX-A		

PROJECTION	TITLE
	021 Water Proof Wire to Board Series
UNITS	
SHEET SIZE	

SERIES	DS1110-26 SERIES
--------	------------------

晨翔电子有限公司  
**CONNFLY CONNFLY ELECTRONIC CO., LTD**