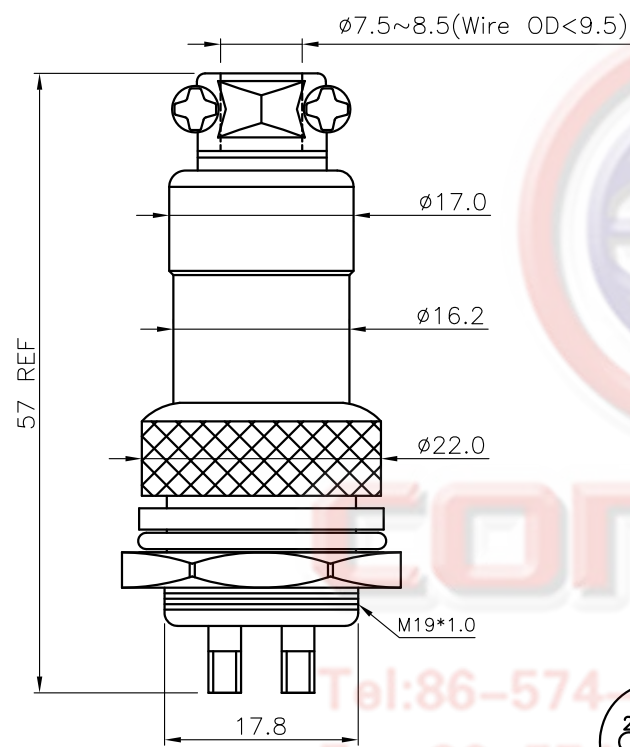


Dept	
Qty	
DC	1
ED	1
IE	1
ISO	1
PD	1
R&D	1
SD	1
QA	1
QC	1
QE	1

The information provided herein is from CONNELY Electronic Co., Ltd. and is confidential. Any disclosure to a party other than the recipient is prohibited. The intellectual properties and its rights contained herein, including but not limited to, trademarks, patents, copyrights, trade secrets, and technical know-how, are owned exclusively by CONNELY or its affiliates. Unauthorized use of any part of this document, in any form or manner, without the prior written consent of CONNELY, may constitute a violation of applicable laws and regulations. CONNELY may enforce its intellectual property rights at its own discretion; failures or delays to exercise such rights does not constitute a waiver of such rights.

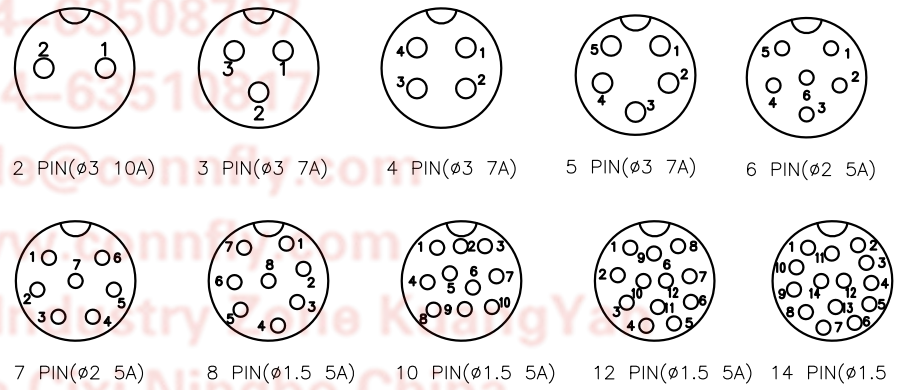
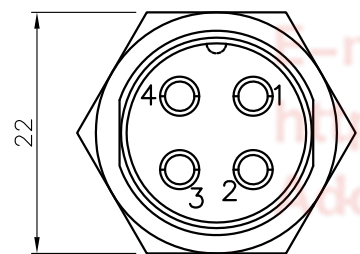
REV.	DESCRIPTION	DRAWN	CHECKED	APPROVED
A	NEW RELEASE	JLZ 05/23/17'	HZW 05/23/17'	LJC 05/23/17'
B	DRAWING UPDATE	JLZ 11/10/18'		



NOTES:

1.SPECIFICATION
 .CURRENT RATING: 5A~10A.
 .DIELECTRIC WITH STANDING VOLTAGE: 1000V(AC)
 .CONTACT RESISTANCE: 20mΩ Max.
 .INSULATION RESISTANCE: 1000MΩ(DC)Min

2.PRODUCT NUMBER CODE:
 DS1110-22 - X X X X
 X: SHELL SURFACE FINISHED
 N: Nickel
 X: CONTACT PLATING
 6: Silver
 X: COLOR OF HOUSING:
 B: Black
 X: No. OF CONTACTS
 02: 2pin 03: 3pin
 04: 4pin 05: 5pin
 06: 6pin 07: 7pin
 08: 8pin 10: 10pin
 12: 12pin 14: 14pin



GENERAL TOLERANCE		ANGLE TOLERANCE		PROJECTION	TITLE
X.	±0.60	X.	±5°		Micro Jack Total Length=57mm Ref (Pin Ø1.5~3.0) Threaded Type
.X	±0.38	.X	±3°	mm	
.XX	±0.25	.XX	±2°	A4	SERIES DS1110-22 SERIES
DRAWING TYPE		CUSTOMER		晨翔电子有限公司 CONNFLY CONNELY ELECTRONIC CO. LTD	
SCALE		1:1 SHEET 1 OF 1			
DRAWING NO.		C-DS1110-22-XXXX-B			