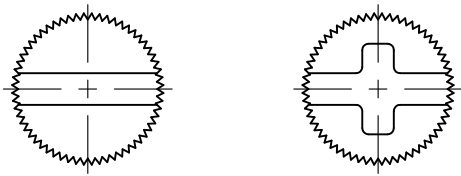


|      |   |
|------|---|
| Dept |   |
| Qty  |   |
| DC   | 1 |
| ED   | 1 |
| IE   | 1 |
| ISO  | 1 |
| PD   | 1 |
| R&D  | 1 |
| SD   | 1 |
| QA   | 1 |
| QC   | 1 |
| QE   | 1 |

The information provided herein is from CONNELY Electronic Co., Ltd. and is confidential. Any disclosure to a party other than the recipient is prohibited. The intellectual properties and its rights contained herein, including but not limited to, trademarks, patents, copyrights, trade secrets, and technical know-how, are owned exclusively by CONNELY or its affiliates. Unauthorized use or reproduction of any part of this document is strictly prohibited. CONNELY may enforce its intellectual property rights at its own discretion, failures or delays to exercise such rights does not constitute a waiver of such rights.

| REV. | DESCRIPTION    | DRAWN         | CHECKED | APPROVED      |
|------|----------------|---------------|---------|---------------|
| A    | NEW RELEASE    | YCH 11/07/09' |         | LJC 11/07/09' |
| B    | DRAWING UPDATE | JLZ 09/15/18' |         |               |
|      |                |               |         |               |



Type 1

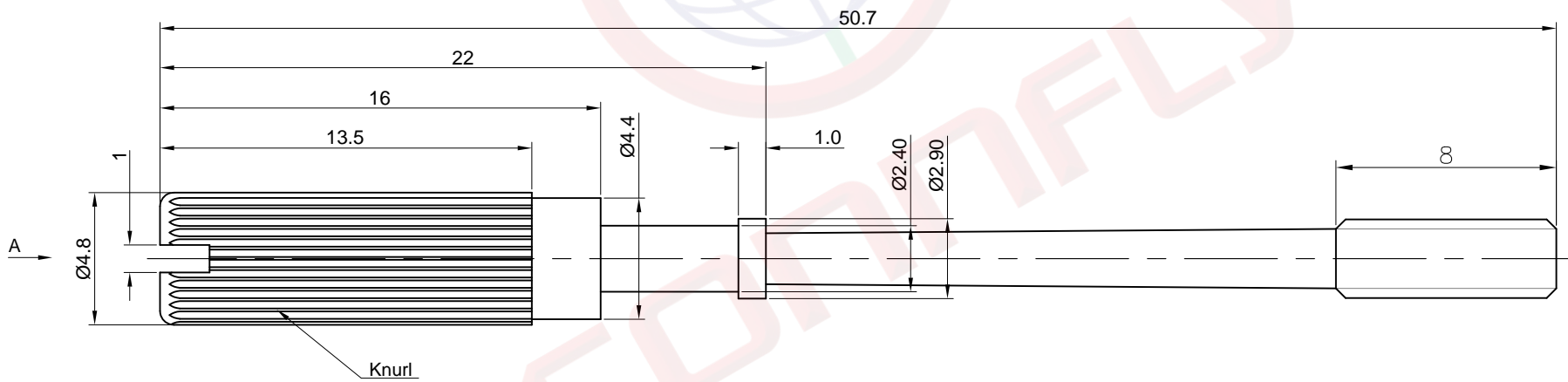
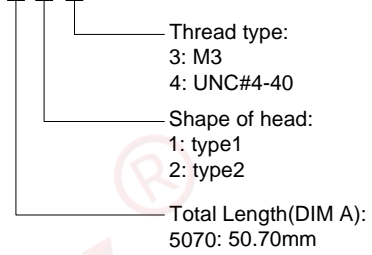
Type 2

A View

NOTES:

1. Plating: Nickel
2. Product Number Code


DS1045-18 - X X X



(Series Image-Reference Only)

|                   |                   |                 |        |
|-------------------|-------------------|-----------------|--------|
| GENERAL TOLERANCE |                   | ANGLE TOLERANCE |        |
| X.                | ±0.60             | X.              | ±5°    |
| .X                | ±0.38             | .X              | ±3°    |
| .XX               | ±0.25             | .XX             | ±2°    |
| DRAWING TYPE      |                   | CUSTOMER        |        |
| SCALE             | 1:1               | SHEET           | 1 OF 1 |
| DRAWING NO.       | C-DS1045-18-XXX-B |                 |        |

|            |    |        |                  |
|------------|----|--------|------------------|
| PROJECTION |    | TITLE  |                  |
| UNITS      | mm | Blot   |                  |
| SHEET SIZE | A4 | SERIES | DS1045-18 SERIES |



**晨翔电子有限公司**  
CONNFLY CONNELY ELECTRONIC CO. LTD