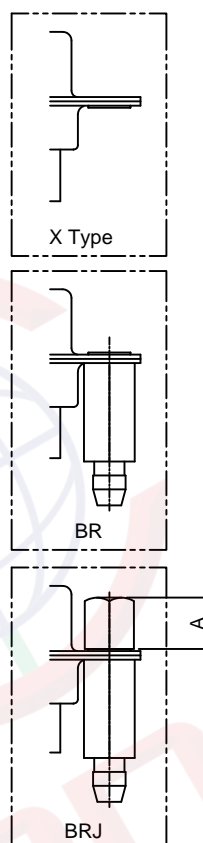
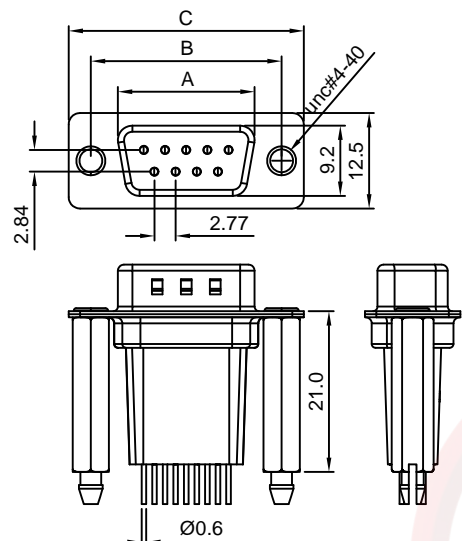
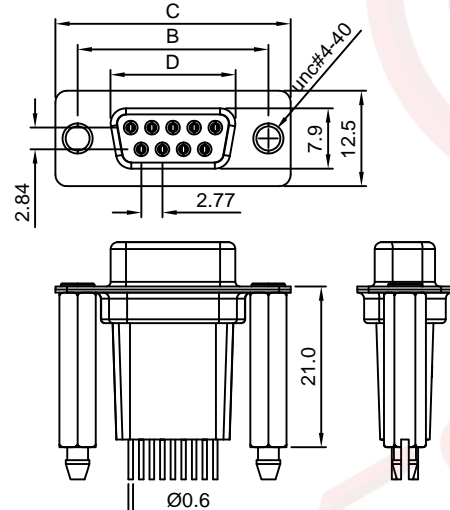


The information provided herein is from CONNELY Electronic Co., Ltd. and is confidential. Any disclosure to a party other than the recipient is prohibited. The intellectual properties and its rights contained herein, including but not limited to, trademarks, patents, copyrights, trade secrets, and technical know-how, are owned exclusively by CONNELY or its affiliates. Unauthorized use or reproduction of any part of this document is strictly prohibited. CONNELY may enforce its intellectual property rights at its own discretion, failures or delays to exercise such rights does not constitute a waiver of such rights.

Male



Female



(Series Image-Reference Only)

Dimension

Position	A±0.3	B±0.3	C±0.3	D
9	17.90	24.99	30.80	16.33
15	26.50	33.32	39.14	24.66
25	40.00	47.04	53.04	38.38
37	56.50	63.50	69.32	54.84

REV.	DESCRIPTION	DRAWN	CHECKED	APPROVED
A	NEW RELEASE	JLZ 08/15/18'		

NOTES:

- Specifications:
 - Contact resistance: 20mΩ Max. Initial.
 - Dielectric withstanding voltage: 500V AC(rms) for 1 minute.
 - Insulation resistance: 1000MΩ Min.
 - Current rating: 3A/Pin Max.
 - Voltage rating: 250V AC/DC.
 - Temperature range: -40°C~+105°C.
- Materials:
 - Insulator: PBT with glass fiber,RoHS Compliance.
 - Shell: Steel.
 - Contact: Copper alloy.
- Product number code:

DS1034-25 - X X X X X X X

- Screw DIM. A
- X: W/O Screw
- 4: 4.80
- 5: 5.80
- Screw type
- X: W/O Fork
- 3: BR Type
- 4: BRJ Type
- Contact plating
- Si: Full gold flash
- 0: Selective gold flash
- Shell plating
- T: Front & Back Tin
- N: Front Nickel,Back Tin
- Housing color
- B: Black W: White
- U: Blue
- Connector type
- F: Female M: Male
- No.of contacts
- 09,15,25,37

GENERAL TOLERANCE		ANGLE TOLERANCE		PROJECTION		TITLE	
X.	±0.60	X.	±5°	UNITS	mm	D-SUB DIP Type H=21.0mm	
.X	±0.38	.X	±3°	SHEET SIZE	A4	SERIES	DS1034-25 SERIES
.XX	±0.25	.XX	±2°	晨翔电子有限公司 CONNFLY CONNELY ELECTRONIC CO. LTD			
DRAWING TYPE		CUSTOMER					
SCALE	1:1	SHEET	1 OF 1				
DRAWING NO.		C-DS1034-25-XXXXXXX-A					