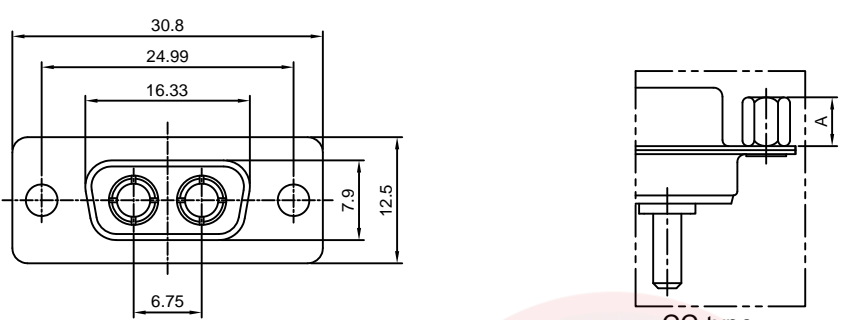
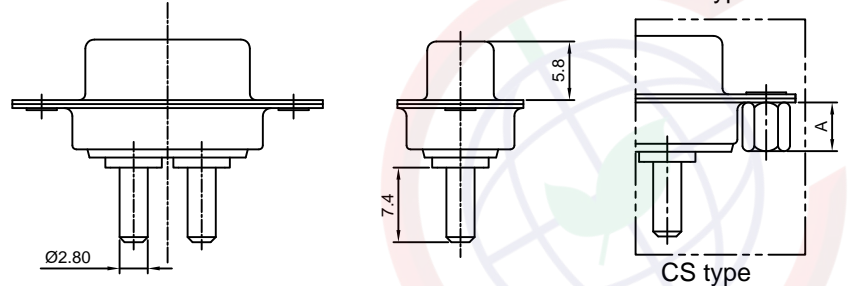


The information provided herein is from CONNELY Electronic Co., Ltd. and is confidential. Any disclosure to a party other than the recipient is prohibited. The intellectual properties and its rights contained herein, including but not limited to, trademarks, patents, copyrights, trade secrets, and technical know-how, are owned exclusively by CONNELY or its affiliates. Unauthorized use or reproduction of any part of this document is strictly prohibited. CONNELY may enforce its intellectual property rights at its own discretion, failures or delays to exercise such rights does not constitute a waiver of such rights.

[Female]

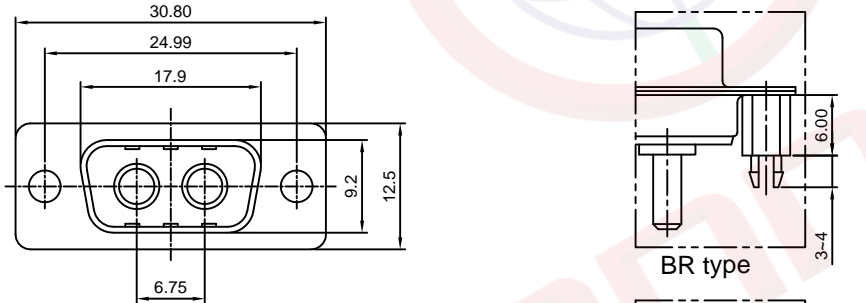


CC type

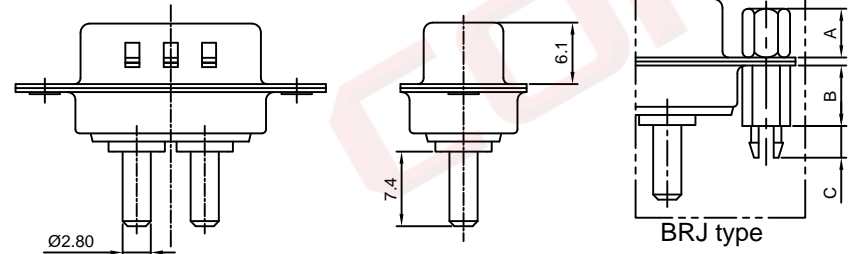


CS type

[Male]



BR type



BRJ type



(Series Image-Reference Only)

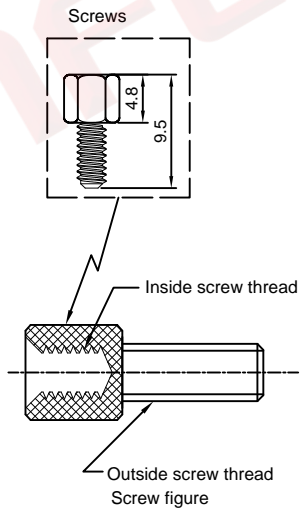
| REV. | DESCRIPTION | DRAWN | CHECKED | APPROVED |
|------|----------------|---------------|---------|---------------|
| A | NEW RELEASE | YCH 01/10/08' | | YCH 01/10/08' |
| B | DRAWING UPDATE | JLZ 08/20/19' | | |

NOTES:

- Electrical characteristics:
 - Contact resistance: 20mΩ Max. Initial.
 - Dielectric withstanding voltage: 500V AC(rms)for 1 minute.
 - Insulation resistance: 1000MΩ Min.
 - Current rating: 40A
 - Voltage rating: 300V
- Environment characteristics:
 - Temperature range: -40° C ~ +105° C.
- Mechanical characteristics:
 - Durability: 500 cycles.
 - Contact retention force: 1Kgf Minimum.
- Materials:
 - Shell: SPCC.
 - Contact: Copper alloy.
 - Insulator: Thermoplastic UL 94V-0,Glass fiber filled.
- Part number code:

DS1034-17- X X X X X

- Screw DIM. A
- S: Standard(W/O nut)
- 4: 4.80 5: 5.80
- M3: 4.80mm(Inside thread M3.0, outside thread unc#4-40)
- Screw type
- S: Standard(W/O nut)
- 1: CC Type 2: CS Type
- 3: BR Type
- 4: BRJ Type DIM. B:6.00 C: 3~4mm
- 5: BRJ Type DIM. B:6.00 C: 5~6mm
- 6: Rivet type with screws in bulk package (BR Type + Screws)
- Contact plating
- 8: Full gold flash
- Shell plating
- N: fornt shell nickel,back shell tin
- Housing color
- B: Black
- Connector type
- M: Male
- F: Female



| GENERAL TOLERANCE | | ANGLE TOLERANCE | |
|-------------------|-------|-----------------|-----|
| X. | ±0.60 | X. | ±5° |
| .X | ±0.38 | .X | ±3° |
| .XX | ±0.25 | .XX | ±2° |

| DRAWING TYPE | CUSTOMER | | |
|--------------|---------------------|-------|--------|
| SCALE | 1:1 | SHEET | 1 OF 1 |
| DRAWING NO. | C-DS1034-17-XXXXX-B | | |

| PROJECTION | TITLE | MACHINE PIN D-SUB 2P | |
|------------|-------|----------------------|------------------|
| | | V/T TYPE | |
| UNITS | mm | SHEET | DS1034-17 SERIES |

晨翔电子有限公司
CONNFLY CONNFLY ELECTRONIC CO. LTD