

The information provided herein is from CONNELY Electronic Co., Ltd. and is confidential. Any disclosure to a party other than the recipient is prohibited. The intellectual properties and its rights contained herein, including but not limited to, trademarks, patents, copyrights, trade secrets, and technical know-how, are owned exclusively by CONNELY or its affiliates. Unauthorized use or reproduction of any information contained herein, in any form or by any means, without the prior written permission of CONNELY may constitute a violation of such rights. CONNELY may enforce its intellectual property rights at its own discretion, failures or delays in exercising such rights does not constitute a waiver of such rights.

REV.	DESCRIPTION	DRAWN	CHECKED	APPROVED
A	NEW RELEASE	LJC 01/17/09'		
B	DRAWING UPDATE	JLZ 08/31/20'		

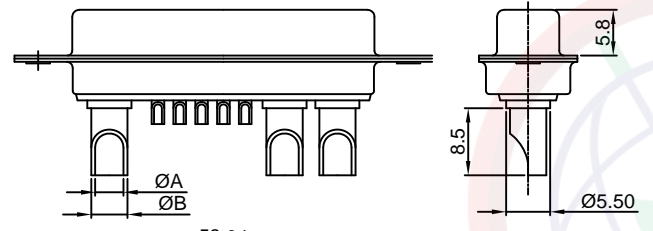
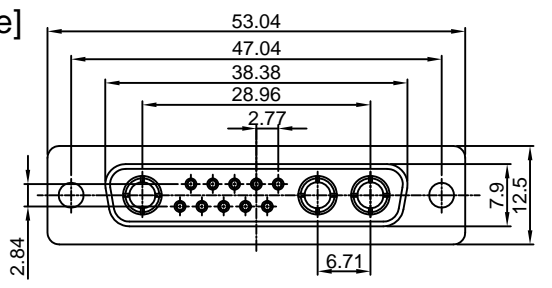
Notes:

- Electrical characteristics:
 - Contact resistance: 20mΩ Max. Initial.
 - Dielectric withstanding voltage: 500V AC(rms)for 1 minute.
 - Insulation resistance: 1000MΩ Min.
 - Current rating: 5A/10~40A(Power pin)
 - Voltage rating: 300V
- Environment characteristics:
 - Temperature range: -40° C ~ +105° C.
- Mechanical characteristics:
 - Durability: 500 cycles.
 - Contact retention force: 1Kgf Minimum.
- Materials:
 - Shell: SPCC.
 - Contact: Copper alloy.
 - Insulator: Thermoplastic UL 94V-0,Glass fiber filled.
- Part number code:

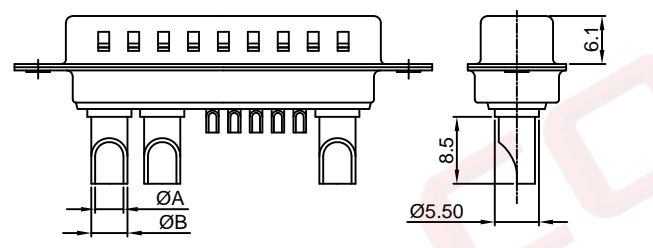
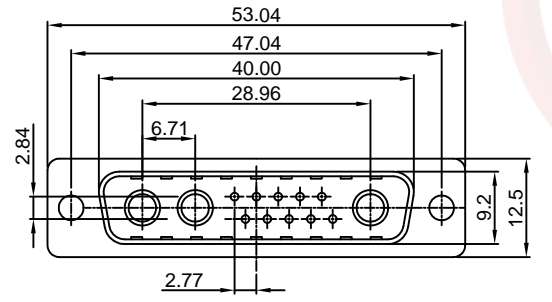
DS1033-03- X X X X X

- Current rating
 - 1: 10A
 - 2: 20A
 - 3: 30A
 - 4: 40A
- Contact plating
 - 8: Full gold flash
 - C: Full 3u" gold
- Shell plating
 - N: Fornt shell nickel,Back shell tin
- Housing color
 - B: Black
 - W: White
 - L: Blue
- Connector type
 - M: Male
 - F: Female

[Female]



[Male]



Type	Current rating	ØA	ØB
1	10A	Ø1.7	Ø2.5
2	20A	Ø2.7	Ø3.6
3	30A	Ø3.6	Ø4.5
4	40A	Ø4.6	Ø5.5



(Series Image-Reference Only)

GENERAL TOLERANCE		ANGLE TOLERANCE	
X.	±0.60	X.	±5°
.X	±0.38	.X	±3°
.XX	±0.25	.XX	±2°
DRAWING TYPE		CUSTOMER	
SCALE		1:1	SHEET 1 OF 1
DRAWING NO.		C-DS1033-03-XXXX-B	

PROJECTION		TITLE	MACHINE PIN D-SUB 10+3
UNITS	mm		SOLDER TYPE
SHEET SIZE	A4	SERIES	DS1033-03 SERIES

晨翔电子有限公司
 CONNELY CONNELY ELECTRONIC CO. LTD