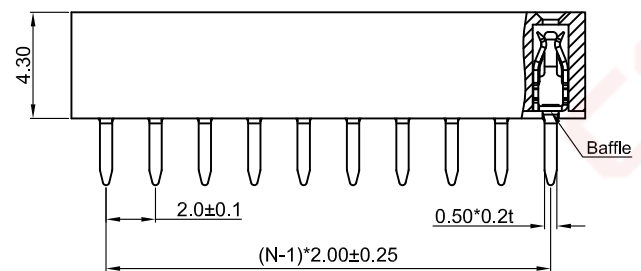
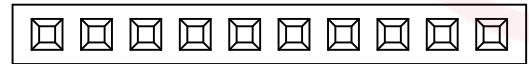
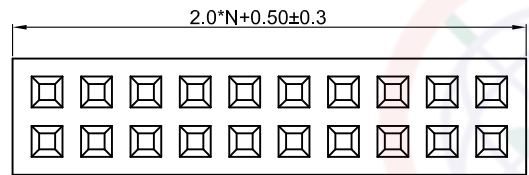


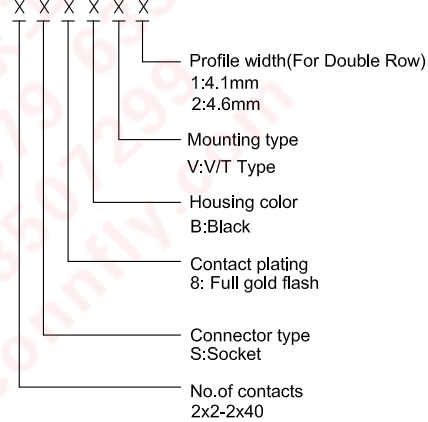
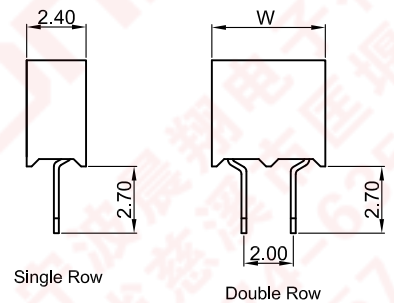
The information provided herein is from CONNELY Electronic Co., Ltd. and is confidential. Any disclosure to a party other than the recipient is prohibited. The intellectual properties and its rights contained herein, including but not limited to, trademarks, patents, copyrights, trade secrets, and technical know-how, are owned exclusively by CONNELY or its affiliates. Unauthorized use of this information in any format or manner, CONNELY may enforce its intellectual property rights at its own discretion; failures or delays to exercise such rights does not constitute a waiver of such rights.

1 2 3 4 5 6 7 8

REV.	DESCRIPTION	DRAWN	CHECKED	APPROVED
A	NEW RELEASE	JLZ 07/06/19'		



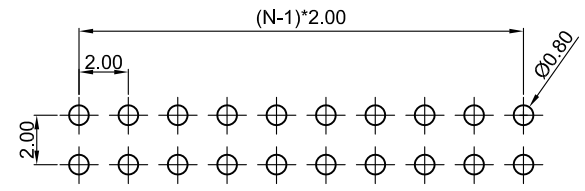
N=No.of contacts(Single Row)
N=No.of contacts/2(Double Row)



- NOTES:
- MATERIAL
 - INSULATOR: THERMOPLASTIC(UL 94V-0).
 - CONTACT MATERIAL: COPPER ALLOY.
 - SPECIFICATION
 - CURRENT RATING: 2 Amp.
 - INSULATION RESISTANCE: 1000MΩ Min.
 - DIELECTRIC WITHSTANDING: 500VAC.
 - CONTACT RESISTANCE: 30mΩ Max.
 - OPERATING TEMPERATURE: -40°C TO +105°C.
 - PRODUCT NUMBER CODE:

DS1026-27 - X X X X X X

 - Profile width(For Double Row)
 - 1:4.1mm
 - 2:4.6mm
 - Mounting type
 - V:V/T Type
 - Housing color
 - B:Black
 - Contact plating
 - 8: Full gold flash
 - Connector type
 - S:Socket
 - No.of contacts
 - 2x2-2x40



RECOMMEND PCB LAYOUT
(TOLERANCE=±0.05)

GENERAL TOLERANCE		ANGLE TOLERANCE		PROJECTION	TITLE
X.	±0.60	X.	±5°		2.00mm Female Header V/T Type
.X	±0.38	.X	±3°	mm	H=4.3mm Baffle Type
.XX	±0.25	.XX	±2°	A4	SERIES DS1026-27 SERIES
DRAWING TYPE		CUSTOMER		晨翔电子有限公司 CONNELY CONNELY ELECTRONIC CO. LTD	
SCALE		1:1	SHEET 1 OF 1		
DRAWING NO.		C-DS1026-27-XXXXX-A			

1 2 3 4 5 6 7 8