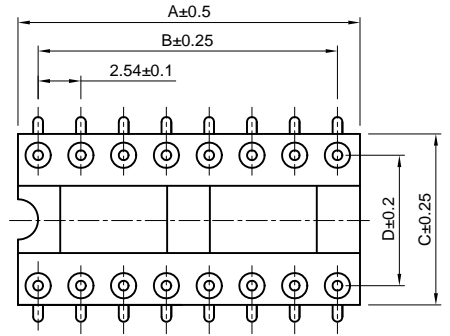
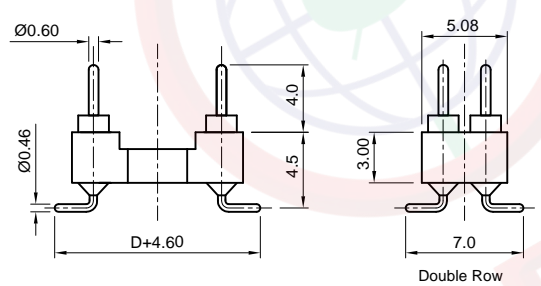
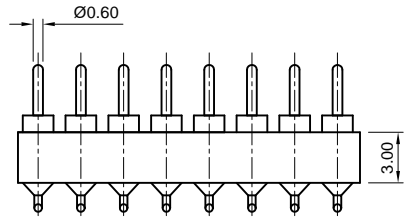
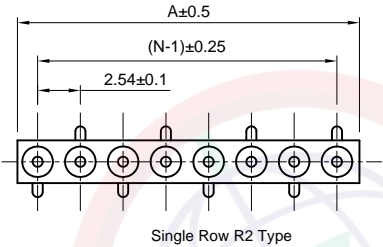
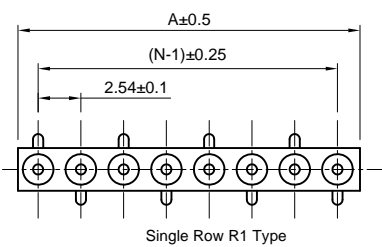


The information provided herein is from CONNPLY Electronic Co., Ltd. and is confidential. Any disclosure to a party other than the recipient is prohibited. The intellectual properties and its rights contained herein, including but not limited to, trademarks, patents, copyrights, trade secrets, and technical know-how, are owned exclusively by CONNPLY or its affiliates. Unauthorized use of this information for any purpose other than the intended purpose is strictly prohibited. CONNPLY may enforce its intellectual property rights at its own discretion, failures or delays to exercise such rights does not constitute a waiver of such rights.

REV.	DESCRIPTION	DRAWN	CHECKED	APPROVED
A	NEW RELEASE	LJH 04/27/05'	~	LJC 04/27/05'
B	增加单双排示意图及料号	YCH 07/27/07'	~	LJC 07/27/07'
C	ADD P/N CODE	JLZ 07/17/15'	HZW 07/17/15'	LJC 07/17/15'
D	DRAWING UPDATE	JLZ 07/15/17'	~	

N=Number of contacts/2(Double Row)
 N=Number of contacts(Single Row)



Dimension

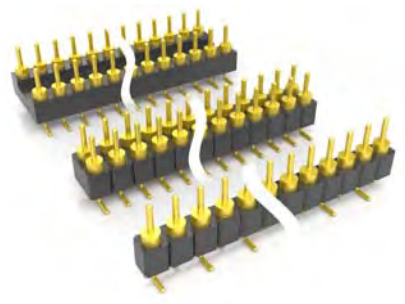
Position	A	B	C	D
06	7.60	5.08	10.16	7.62
08	10.16	7.62	10.16	7.62
14	17.16	15.24	10.16	7.62
16	20.32	17.78	10.16	7.62
18	22.86	20.32	10.16	7.62
20	25.40	22.86	10.16	7.62
24	30.48	27.94	10.16	7.62
28	35.56	33.02	10.16	7.62
24	30.48	27.94	17.78	15.24
28	35.56	33.02	17.78	15.24
32	40.62	38.10	17.78	15.24
40	50.80	48.26	17.78	15.24

NOTES:

- Electrical characteristics:
 - Contact resistance: 20mΩ Max.
 - Dielectric withstanding voltage: 500V AC(rms) for 1 minute.
 - Insulation resistance: 1000MΩ Min.
- Environment characteristics:
 - Temperature: -40°C~+105°C.
- Part number: DS1003-02
- Product number code:

DS1003-02 - X X X X

- Bend type(For single row)
 - A: R1 type
 - B: R2 type
- Pin plating
 - Tin 150u"
 - Tin 200u"
 - G/F
 - Gold 3u"
 - Gold 10u"
 - Gold 15u"
- Width(DIM D)
 - N: 7.62mm
 - W: 15.24mm
- No.of contacts
 - 06 08 14 16 18
 - 20 24 28 32 40
 - 1x2 to 1x40
 - 2x2 to 2x40



(Series Image-Reference Only)

GENERAL TOLERANCE		ANGLE TOLERANCE		PROJECTION	TITLE	
X.	±0.60	X.	±5°	mm	MACHINE PIN HEADER IC SMT PITCH 2.54mm	
.X	±0.38	.X	±3°	A4	SERIES	DS1003-02 SERIES
.XX	±0.25	.XX	±2°			
DRAWING TYPE		CUSTOMER		晨翔电子有限公司 CONNPLY CONNPLY ELECTRONIC CO. LTD		
SCALE	1:1	SHEET	1 OF 1			
DRAWING NO.	C-DS1003-02-XXXXX-D					