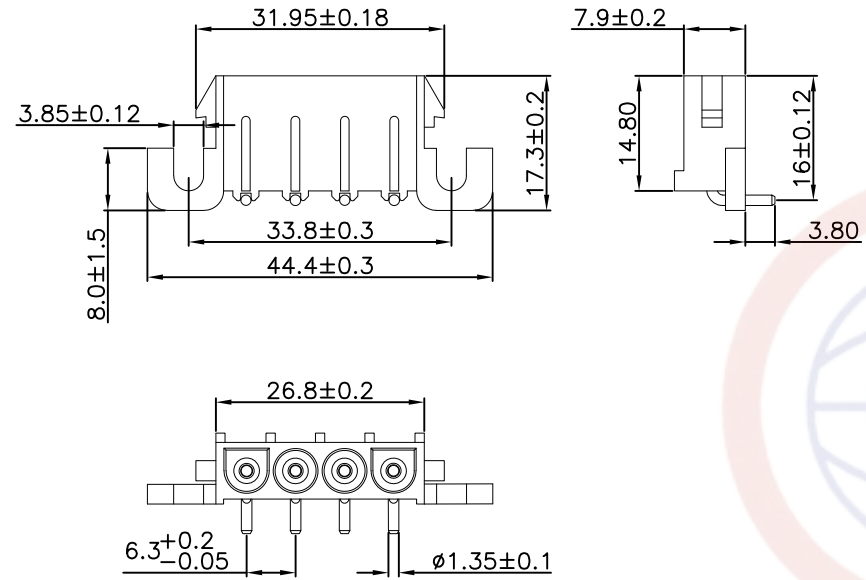


The information provided herein is from CONNELY Electronic Co., Ltd. and is confidential. Any disclosure to a party other than the recipient is prohibited. The intellectual properties and its rights contained herein, including but not limited to, trademarks, patents, copyrights, trade secrets, and technical know-how, are owned exclusively by CONNELY or its affiliates. Unauthorized use of this information in any format or manner. CONNELY may enforce its intellectual property rights at its own discretion; failures or delays to exercise such rights does not constitute a waiver of such rights.

Dept	1	2	3	4	5	6	7	8
Qty								
DC	1							
ED	1							
IE	1							
ISO	1							
PD	1							
R&D	1							
SD	1							
QA	1							
QC	1							
QE	1							

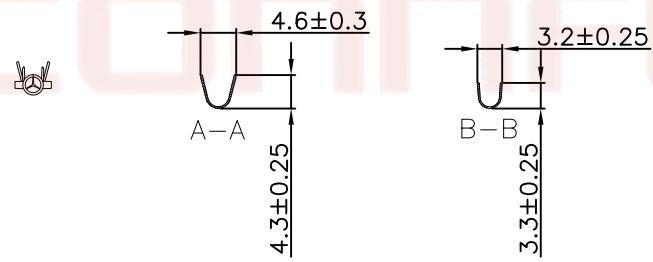
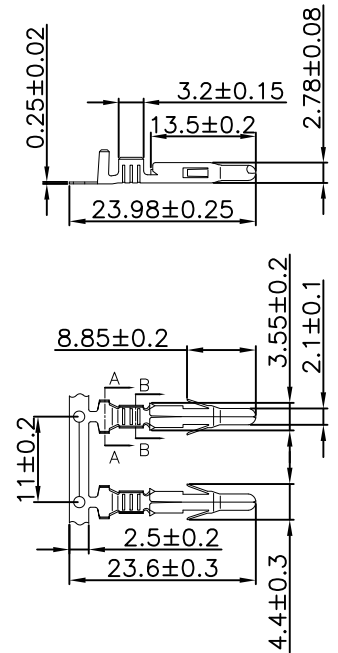
REV.	DESCRIPTION	DRAWN	CHECKED	APPROVED
A	NEW RELEASE	WPY 12/25/24'		



Notes:
Material:
 .Housing material:PA66
 .Contact material:Phos bronze
 .Wire range:AWG20~16#
Specification:
 .Rated voltage:300V AC/DC
 .Rated current:8A、10A、12A、13A
 .Contact resistance: 10mΩ
 .Insulation resistance: ≥1000MΩ
 .Withstanding voltage:1800V,AC 1 minute
 .Temperature range: -25 ~ +85°C
 .Recommend PC board thickness:1.6mm
Product Number Code:

DS1148-11-X X X X 0

Housing Color:
 T:Transparent
 Mounting Type:
 R: Right Angle
 Connector Type:
 S:Female
 No.of contact:
 1×4



Contact:

T-DS1148-11-X X X X 00

Contact plating
 6:Full Tin
 Mounting type
 C:Crimp type
 Housing Type
 P:Male

GENERAL TOLERANCE		ANGLE TOLERANCE		PROJECTION		TITLE	6.3mm wire to board automotive connector (Vertical Through)				
X.	±0.60	X.	±5°	UNITS	mm	SHEET	DS1148-11 SERIES				
.X	±0.38	.X	±3°	SHEET SIZE	A4						
.XX	±0.25	.XX	±2°								
DRAWING TYPE		CUSTOMER			晨翔电子有限公司 CONNFLY CONNELY ELECTRONIC CO. LTD						
SCALE		1:1	SHEET							2 OF 3	
DRAWING NO.		C-DS1148-11-XXXXX-A									