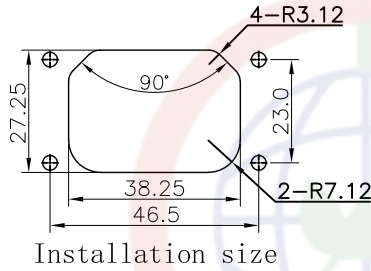
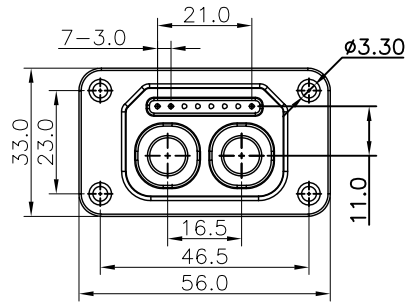
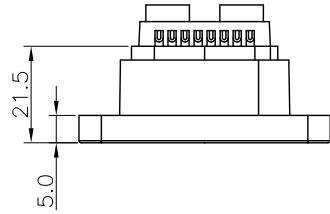


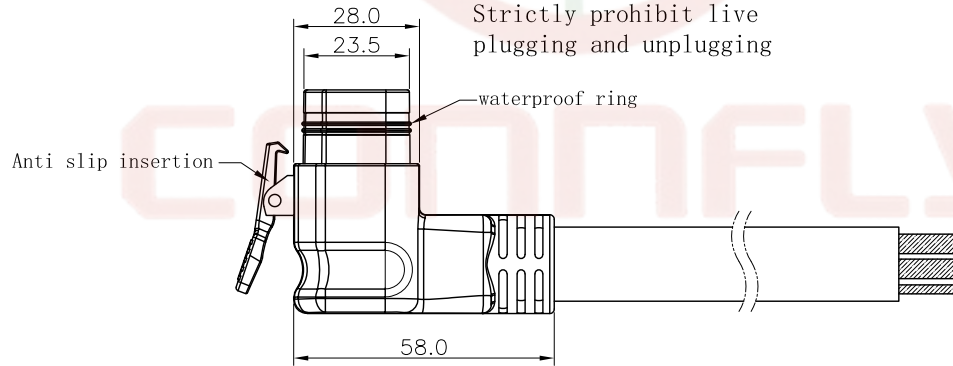
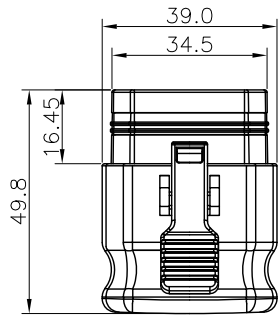
The information provided herein is from CONNFLY Electronic Co., Ltd. and is confidential. Any disclosure to a party other than the recipient is prohibited. The intellectual properties and its rights of CONNFLY Electronic Co., Ltd. are strictly protected. All intellectual properties provided herein are for reference purposes only and does not constitute authorization of its use in any format or manner. CONNFLY may enforce its intellectual property rights at its own discretion; failures or delays to exercise such rights does not constitute a waiver of such rights.

FEMALE



Installation size

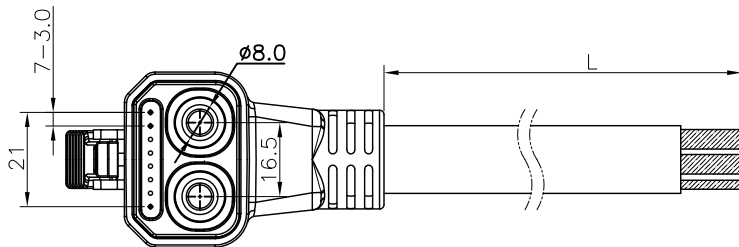
MALE



Strictly prohibit live plugging and unplugging

Anti slip insertion

waterproof ring



GENERAL TOLERANCE		ANGLE TOLERANCE	
X.	±0.60	X.	±5°
.X	±0.38	.X	±3°
.XX	±0.25	.XX	±2°

DRAWING TYPE	CUSTOMER		
SCALE	1:1	SHEET	1 OF 1
DRAWING NO.	C-DS1228-04-XXXXXX-A		

REV.	DESCRIPTION	DRAWN	CHECKED	APPROVED
A	NEW RELEASE	WPY 03/20/25'		

Notes:
 Specifications:
 1. Rated current: 100A
 2. Instantaneous current: 200A
 3. Rated voltage: 500V DC
 3. Contact impedance: 5mΩ Max
 4. Insulation impedance: 500MΩ Min
 6. Operation temperature: -20 °C ~ +65 °C
 7. Recommended wire gauge for female connectors: 6AWG
 Machine:
 1. Rockwell hardness: >119R
 2. Tensile fracture strength: >700kg/cm²
 3. Plug and unplug lifespan: 3000 times
 4. Shearing strength: >790KG/CM²
 Materials:
 1. Insulation Material: PA6
 2. Contact materials: Brass with gold plating
 3. Protection level: UL94V-0
 Product Number Code:
 DS1228-04-X X X X X X

- Packing type: P: Ploybag
- Line length: (Only Male) 1500; 1500mm
- Housing color: B: Black
- Contact Plating: 8: Full gold flash
- Connector type: F: Female M: Male A: Female+Male
- No. of Contacts: 10: 10Pin

PROJECTION		TITLE	2+8 (10-CORE) 100A BATTERY SWAPPING
UNITS	mm		CONNECTOR FEMALE/MALE RIBBON CABLE
SHEET SIZE	A4	SERIES	DS1228-04 SERIES

晨翔电子有限公司
CONNFLY CONNFLY ELECTRONIC CO. LTD