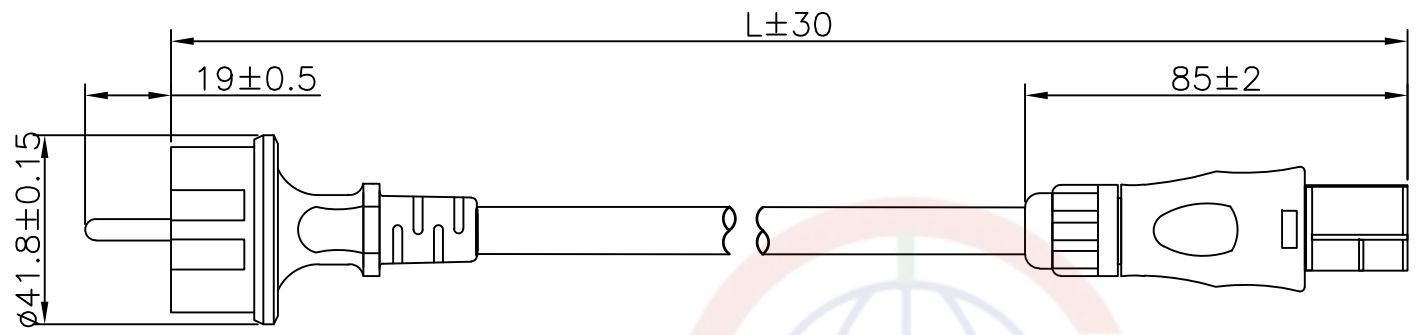


The information provided herein is from CONNELY Electronic Co., Ltd. and is confidential. Any disclosure to a party other than the recipient is prohibited. The intellectual properties and its rights contained herein, including but not limited to, trademarks, patents, copyrights, trade secrets, and technical know-how, are owned exclusively by CONNELY or its affiliates. Unauthorized use of this information in any format or manner. CONNELY may enforce its intellectual property rights at its own discretion; failures or delays to exercise such rights does not constitute a waiver of such rights.

1 2 3 4 5 6 7 8

REV.	DESCRIPTION	DRAWN	CHECKED	APPROVED
A	NEW RELEASE	WPY 04/30/26'		

B
QA
QC
QE

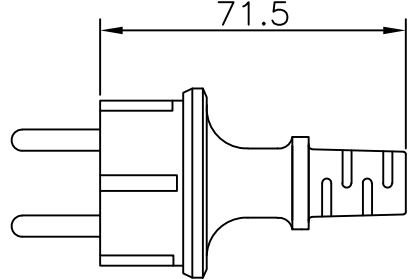
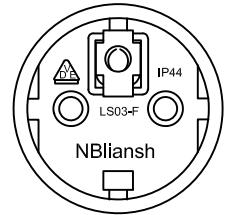


C

D

Notes:
Technical Requirements:
 1. Plug: The surface of the plug should be free of flow lines, bubbles, shrinkage, impurities, missing material, color mixing, dirt, etc
 2. Wire: VDE HO7RN-F 3G1.5mm² wire, Insulation material: PVC
 3. Tail: Photovoltaic connector
 4. Winding: Wind according to the specified size
 5. Test: Internal high voltage AC2000V/1S, external high voltage AC3000V/1S, leakage current 1mA, insulation resistance 100MΩ, no breakdown phenomenon

E



Product Number Code:

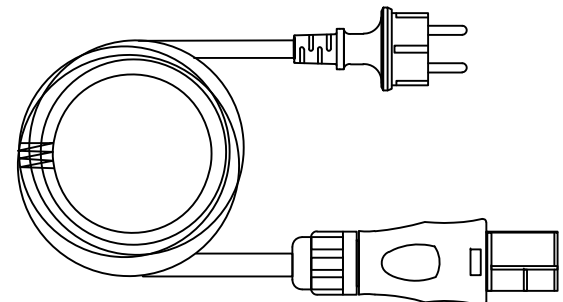
DS1188-01 - X X X X

Line length(dim L)
 1500:1500mm 3000:3000mm...
 Housing color
 B:Black
 Core size
 1:1.5mm²
 Cable color
 B:Black

F

Conductor: Annealed bare copper 48/0.198
 Insulation: Rubber ID3.0
 Sheath: Rubber Ø9.8

G



H

GENERAL TOLERANCE		ANGLE TOLERANCE		PROJECTION	TITLE	
X.	±0.60	X.	±5°		European waterproof three plug to BC01 connector, rubber connecting wire for solar photovoltaic micro inverter	
.X	±0.38	.X	±3°	UNITS	mm	
.XX	±0.25	.XX	±2°	SHEET SIZE	A4	
DRAWING TYPE				CUSTOMER	SERIES	DS1188-01 SERIES
SCALE		1:1	SHEET	1 OF 2		
DRAWING NO.		C-DS1188-01-XXXXX-A				

晨翔电子有限公司
CONNELY CONNELY ELECTRONIC CO. LTD

1 2 3 4 5 6 7 8