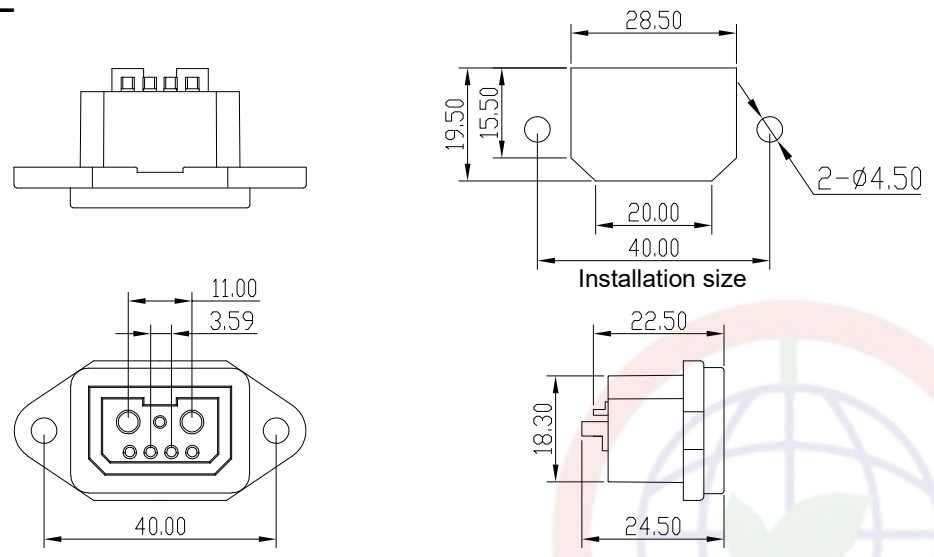


The information provided herein is from CONNFLY Electronic Co., Ltd. and is confidential. Any disclosure to a party other than the recipient is prohibited. The intellectual properties and its rights of CONNFLY Electronic Co., Ltd. are reserved. Any modification is strictly prohibited without prior written consent from CONNFLY. All intellectual properties provided herein are for reference purposes only and does not constitute authorization of its use in any format or manner. CONNFLY may enforce its intellectual property rights at its own discretion; failures or delays to exercise such rights does not constitute a waiver of such rights.

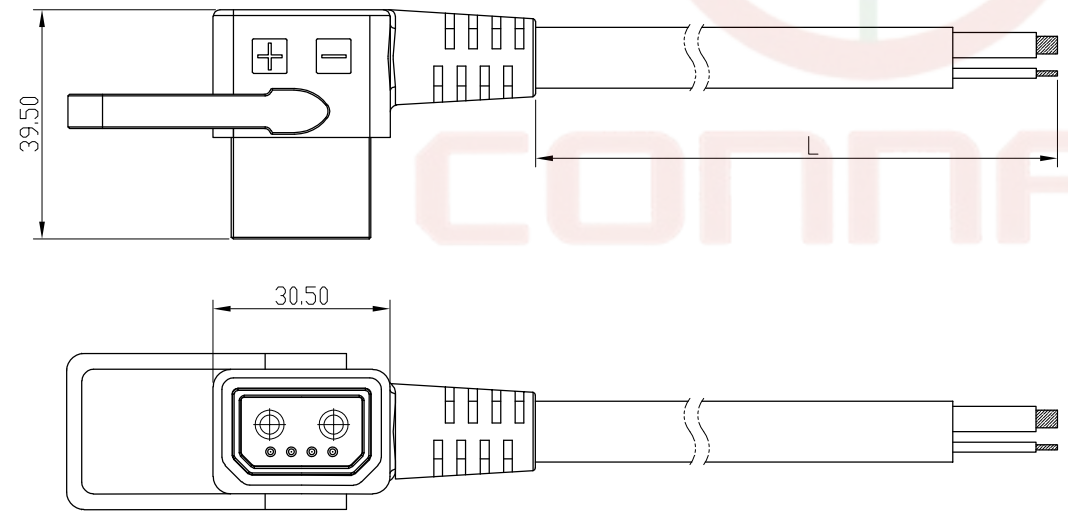
REV.	DESCRIPTION	DRAWN	CHECKED	APPROVED
A	NEW RELEASE	WPY 03/20/25'		

FEMALE



- Notes:**
- Specifications:**
1. Rated current: 30A
 2. Instantaneous current: 60A
 3. Rated voltage: 500V DC
 4. Contact impedance: 5mΩ Max
 5. Insulation impedance: 500MΩ Min
 6. Operation temperature: -20 °C ~+65 °C
 7. Recommended wire gauge for female connectors: 6AWG
- Machine:**
1. Rockwell hardness: > 119R
 2. Tensile fracture strength: > 700kg/cm²
 3. Plug and unplug lifespan: 3000 times
 4. Shearing strength: > 790KG/CM²

MALE



- Materials:**
1. Insulation Material: PA6
 2. Metal material: Brass with nickel plating
 3. Protection level: UL94V-0
- Product Number Code:**
DS1172-01-X X X X X X

- Packing type:
P: Ploybag
- Line length: (Only Male)
1500: 1500mm
- Housing color:
B: Black
- Contact Plating
N: Full niche
- Connector type:
F: Female M: Male
- No. of Contacts
6: 6Pin

Strictly prohibit live plugging and unplugging

GENERAL TOLERANCE		ANGLE TOLERANCE		PROJECTION		TITLE	2+4 (6-CORE) 30A BATTERY SWAPPING CONNECTOR FEMALE/MALE RIBBON CABLE	
X.	±0.60	X.	±5°	UNITS	mm	SERIES	DS1172-01 SERIES	
.X	±0.38	.X	±3°					
.XX	±0.25	.XX	±2°					
DRAWING TYPE		CUSTOMER		晨翔电子有限公司 CONNFLY CONNFLY ELECTRONIC CO. LTD				
SCALE		1:1						
DRAWING NO.		C-DS1172-01-XXXXXX-A						
		SHEET	1 OF 1					