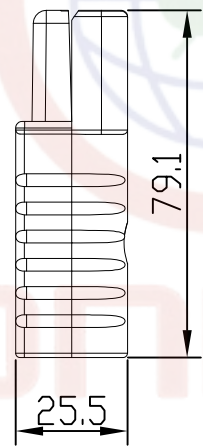
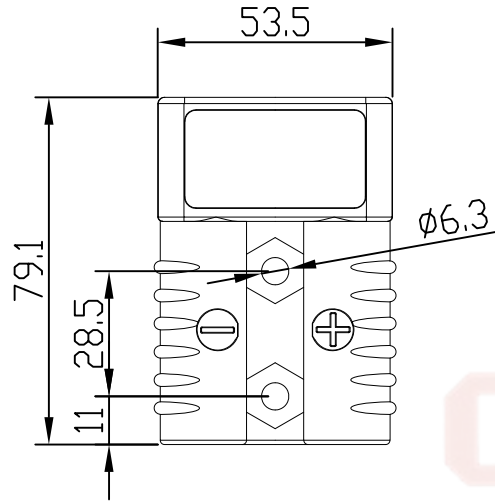
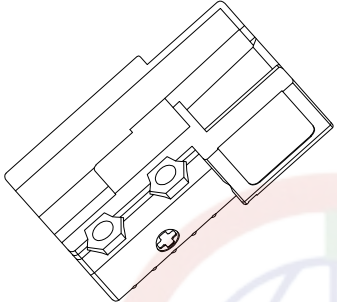
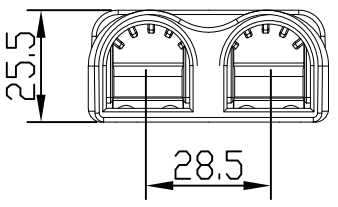


The information provided herein is from CONNFLY Electronic Co., Ltd. and is confidential. Any disclosure to a party other than the recipient is prohibited. The intellectual properties and its rights of CONNFLY Electronic Co., Ltd. are reserved. All intellectual properties provided herein are for reference purposes only and does not constitute authorization of its use in any format or manner. CONNFLY may enforce its intellectual property rights at its own discretion; failures or delays to exercise such rights does not constitute a waiver of such rights.

1 2 3 4 5 6 7 8

| REV. | DESCRIPTION | DRAWN | CHECKED | APPROVED |
|------|-------------|---------------|---------|----------|
| A | NEW RELEASE | WPY 10/16/24' | | |
| | | | | |
| | | | | |



Notes:

1. Rated current: 120A
2. Voltage endurance: 600VDC
3. Recommended wire gauge: 6~2AWG

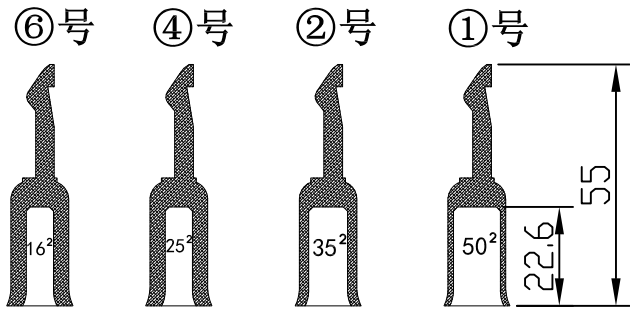
Materials:

1. Insulation Material: PC
2. Metal material: Copper plated with silver
3. Protection level: IP54
4. Flame retardant grade: UL94V-0

Product Number Code:

DS1171-08-X X X X

- Contact Plating
- Y: Full Silver
- Housing color:
- G: Gray
- Wire gauge:
- 6:6AWG 4:4AWG 2:2AWG
- 1:1/0AWG
- No. of Contacts
- 2:2



$\phi 5.7$ $\phi 8.3$ $\phi 9.5$ $\phi 11$

| GENERAL TOLERANCE | | ANGLE TOLERANCE | | PROJECTION | TITLE |
|-------------------|------------|--------------------|---------------|---|---------------------------------|
| X. | ± 0.60 | X. | $\pm 5^\circ$ | | Anderson high current plug 175A |
| .X | ± 0.38 | .X | $\pm 3^\circ$ | mm | |
| .XX | ± 0.25 | .XX | $\pm 2^\circ$ | A4 | SERIES DS1171-08 SERIES |
| DRAWING TYPE | | CUSTOMER | | 晨翔电子有限公司 CONNFLY CONNFLY ELECTRONIC CO. LTD | |
| SCALE | | 1:1 SHEET 1 OF 1 | | | |
| DRAWING NO. | | C-DS1171-08-XXXX-A | | | |

1 2 3 4 5 6 7 8