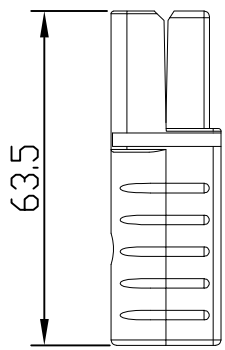
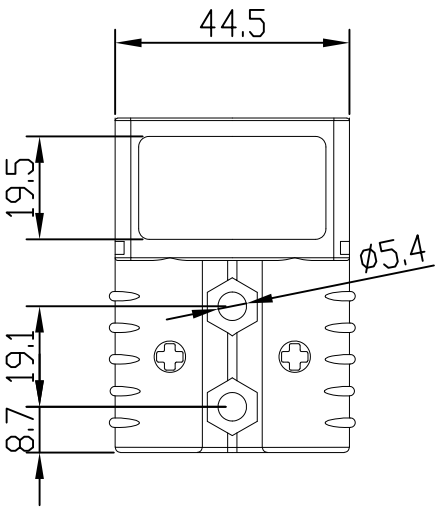
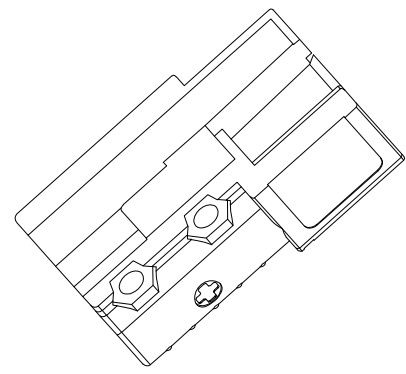
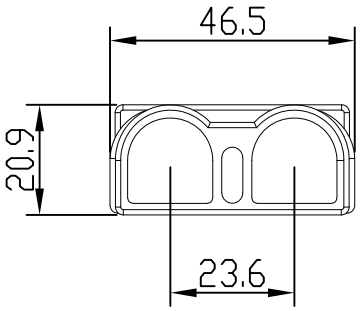


The information provided herein is from CONNPLY Electronic Co., Ltd. and is confidential. Any disclosure to a party other than the recipient is prohibited. The intellectual properties and its rights of CONNPLY Electronic Co., Ltd. are strictly protected. All intellectual properties provided herein are for reference purposes only and does not constitute authorization of its use in any format or manner. CONNPLY may enforce its intellectual property rights at its own discretion; failures or delays to exercise such rights does not constitute a waiver of such rights.

1 2 3 4 5 6 7 8

REV.	DESCRIPTION	DRAWN	CHECKED	APPROVED
A	NEW RELEASE	WPY 10/16/24'		



Notes:

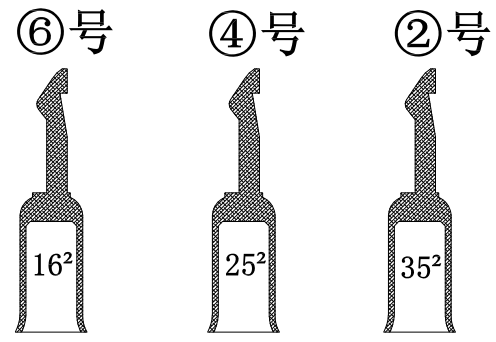
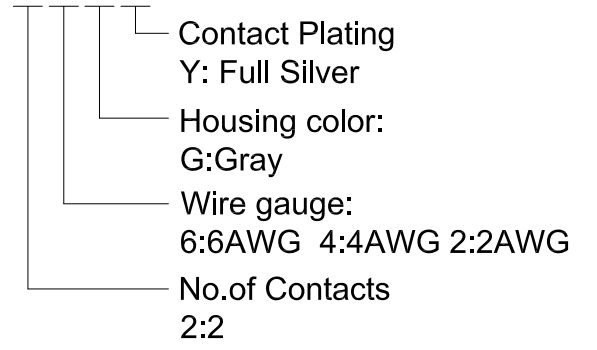
- 1. Rated current: 120A
- 2. Voltage endurance: 600VDC
- 3. Recommended wire gauge: 6~2AWG

Materials:

- 1. Insulation Material: PC
- 2. Metal material: Copper plated with silver
- 3. Protection level: IP54
- 4. Flame retardant grade: UL94V-0

Product Number Code:

DS1171-07-X X X X



φ5.7 φ8.3 φ9.5

GENERAL TOLERANCE		ANGLE TOLERANCE	
X.	±0.60	X.	±5°
.X	±0.38	.X	±3°
.XX	±0.25	.XX	±2°
DRAWING TYPE		CUSTOMER	
SCALE	1:1	SHEET	1 OF 1
DRAWING NO.	C-DS1171-07-XXXX-A		

PROJECTION		TITLE	Anderson high current plug 120A
UNITS	mm	SERIES	DS1171-07 SERIES
SHEET SIZE	A4		

晨翔电子有限公司

CONNPLY CONNPLY ELECTRONIC CO. LTD

1 2 3 4 5 6 7 8