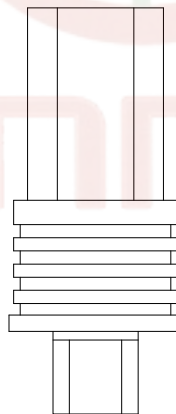
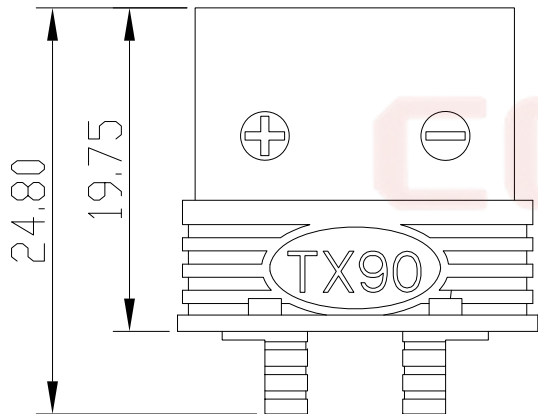
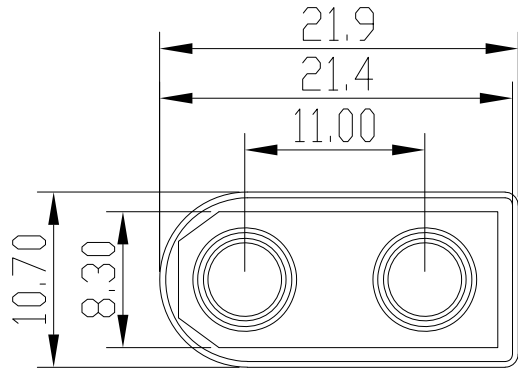


The information provided herein is from CONNFLY Electronic Co., Ltd. and is confidential. Any disclosure to a party other than the recipient is prohibited. The intellectual properties and its rights are strictly prohibited without prior written consent from CONNFLY. All intellectual properties provided herein are for reference purposes only and does not constitute authorization of its use in any format or manner. CONNFLY may enforce its intellectual property rights at its own discretion; failures or delays to exercise such rights does not constitute a waiver of such rights.

Female



REV.	DESCRIPTION	DRAWN	CHECKED	APPROVED
A	NEW RELEASE	WPY 10/16/24'		

Notes:

1. Rated current: 45A
2. Voltage endurance: 500VDC
3. Contact resistance: 0.5mΩ
4. Insulation current: 2000MΩ
5. Instantaneous current: 60A
6. Environmental temperature: -20 °C -120 °C
7. Mechanical lifespan: 1000 times
8. Recommended wire gauge: 12AWG

Materials:

1. Insulation Material: PA66
2. Metal material: Brass with gold plating
3. Protection level: IP40

Product Number Code:

DS1171-04-X X X X

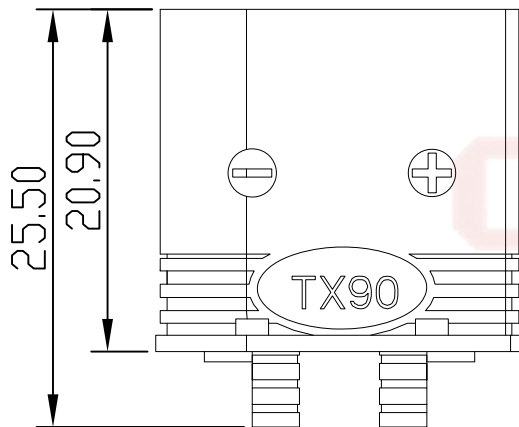
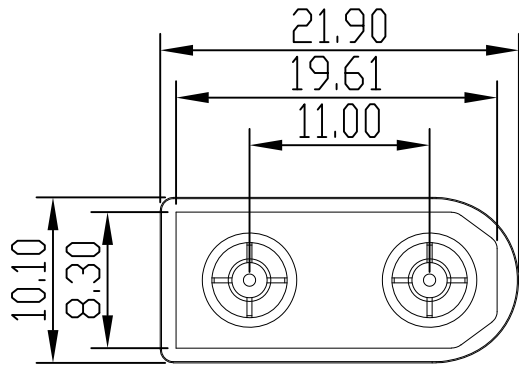
- Housing color:
Y:Yellow
- Contact Plating
8: Full gold flash
- Connector type:
F:Female M:Male
A:Female+Male
- No.of Contacts
2:2

GENERAL TOLERANCE		ANGLE TOLERANCE		PROJECTION	TITLE
X.	±0.60	X.	±5°		XT90-F/M power connector plug
.X	±0.38	.X	±3°	mm	
.XX	±0.25	.XX	±2°	A4	
DRAWING TYPE				CUSTOMER	
SCALE		1:1	SHEET		1 OF 1
DRAWING NO.		C-DS1171-04-XXXX-A			

晨翔电子有限公司
CONNFLY CONNFLY ELECTRONIC CO. LTD

The information provided herein is from CONNFLY Electronic Co., Ltd. and is confidential. Any disclosure to a party other than the recipient is prohibited. The intellectual properties and its rights of CONNFLY Electronic Co., Ltd. are strictly protected. All intellectual properties provided herein are for reference purposes only and does not constitute authorization of its use in any format or manner. CONNFLY may enforce its intellectual property rights at its own discretion; failures or delays to exercise such rights does not constitute a waiver of such rights.

Male



REV.	DESCRIPTION	DRAWN	CHECKED	APPROVED
A	NEW RELEASE	WPY 10/16/24'		

Notes:

1. Rated current: 45A
2. Voltage endurance: 500VDC
3. Contact resistance: 0.5mΩ
4. Insulation current: 2000MΩ
5. Instantaneous current: 60A
6. Environmental temperature: -20 °C -120 °C
7. Mechanical lifespan: 1000 times
8. Recommended wire gauge: 12AWG

Materials:

1. Insulation Material: PA66
2. Metal material: Brass with gold plating
3. Protection level: IP40

Product Number Code:

DS1171-04-X X X X

- Housing color:
Y:Yellow
- Contact Plating
8: Full gold flash
- Connector type:
F:Female M:Male
A:Female+Male
- No.of Contacts
2:2

GENERAL TOLERANCE		ANGLE TOLERANCE		PROJECTION	TITLE
X.	±0.60	X.	±5°		XT90-F/M power connector plug
.X	±0.38	.X	±3°	mm	
.XX	±0.25	.XX	±2°		
DRAWING TYPE		CUSTOMER		SHEET SIZE	SERIES
SCALE		1:1	SHEET	A4	DS1171-04 SERIES
DRAWING NO.		C-DS1171-04-XXXX-A			

晨翔电子有限公司
CONNFLY CONNFLY ELECTRONIC CO. LTD