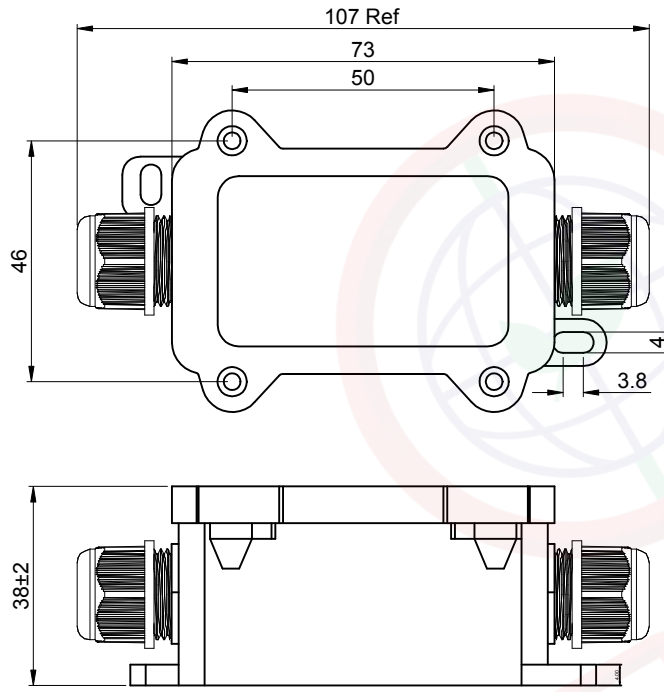


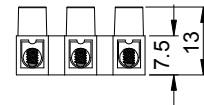
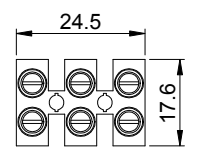
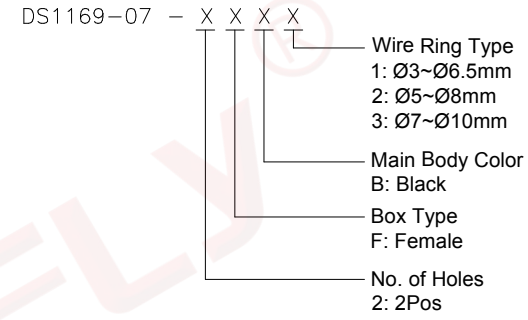
The information provided herein is from CONNELY Electronic Co., Ltd. and is confidential. Any disclosure to a party other than the recipient is prohibited. The intellectual properties and its rights contained herein, including but not limited to, trademarks, patents, copyrights, trade secrets, and technical know-how, are owned exclusively by CONNELY or its affiliates. Unauthorized use of this information in any format or manner. CONNELY may enforce its intellectual property rights at its own discretion; failures or delays to exercise such rights does not constitute a waiver of such rights.

1 2 3 4 5 6 7 8

REV.	DESCRIPTION	DRAWN	CHECKED	APPROVED
A	NEW RELEASE	JLZ 05/29/23'		



NOTES:
 Temp. Range: -40°C~+85°C.
 Protection grade: IP68.
 Cable OD: Ø3~Ø6.5mm, Ø5~Ø8mm, Ø7~Ø10mm.
Materials:
 Insulator: PA66, Black.
 Sealings: Silicone, Yellow.
 Screw: Steel.
 Product Number Code:



Screw Terminal Blocks



(Series Image-Reference Only)

GENERAL TOLERANCE		ANGLE TOLERANCE		PROJECTION		TITLE	Waterproof Wire Junction Box 1 To 1 Type
X.	±0.60	X.	±5°	UNITS	mm	SERIES	DS1169-07 SERIES
.X	±0.38	.X	±3°				
.XX	±0.25	.XX	±2°				
DRAWING TYPE		CUSTOMER		晨翔电子有限公司 CONNELY ELECTRONIC CO. LTD			
SCALE		1:1	SHEET 1 OF 1				
DRAWING NO.		C-DS1169-07-XXXX-A					

1 2 3 4 5 6 7 8