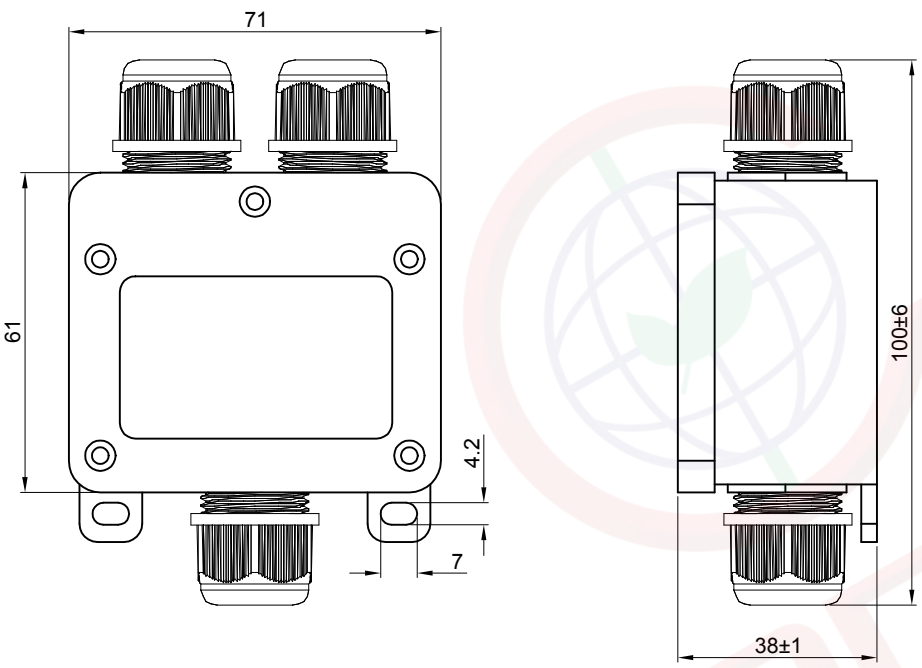


The information provided herein is from CONNELY Electronic Co., Ltd. and is confidential. Any disclosure to a party other than the recipient is prohibited. The intellectual properties and its rights contained herein, including but not limited to, trademarks, patents, copyrights, trade secrets, and technical know-how, are owned exclusively by CONNELY or its affiliates. Unauthorized use of this information in any format or manner. CONNELY may enforce its intellectual property rights at its own discretion; failures or delays to exercise such rights does not constitute a waiver of such rights.

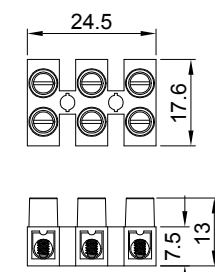
1 2 3 4 5 6 7 8

REV.	DESCRIPTION	DRAWN	CHECKED	APPROVED
A	NEW RELEASE	JLZ 05/29/23'		



NOTES:
 Temp. Range: -40°C~+85°C.
 Protection grade: IP68.
 Cable OD: Ø5~Ø8mm, Ø9~Ø12mm.
Materials:
 Insulator: PA66, Black.
 Sealings: Silicone, Yellow.
 Screw: Steel.
 Product Number Code:

DS1169-06 - X X X X
 Wire Ring Type
 1: Ø5~Ø8mm
 2: Ø9~Ø12mm
 Main Body Color
 B: Black
 Box Type
 F: Female
 No. of Holes
 3: 3Pos



Screw Terminal Blocks



(Series Image-Reference Only)

GENERAL TOLERANCE	ANGLE TOLERANCE	PROJECTION		TITLE	Waterproof Wire Junction Box 1 To 2 Type
X. ±0.60	X. ±5°	UNITS	mm	SERIES	DS1169-06 SERIES
.X ±0.38	.X ±3°	晨翔电子有限公司 CONNELY CONNELY ELECTRONIC CO. LTD			
.XX ±0.25	.XX ±2°				
DRAWING TYPE	CUSTOMER		SCALE		
SCALE	1:1	SHEET	1 OF 1		
DRAWING NO.	C-DS1169-06-XXXX-A				

1 2 3 4 5 6 7 8