

REV.	DESCRIPTION	DRAWN	CHECKED	APPROVED
A	NEW RELEASE	WPY 03/06/26'		

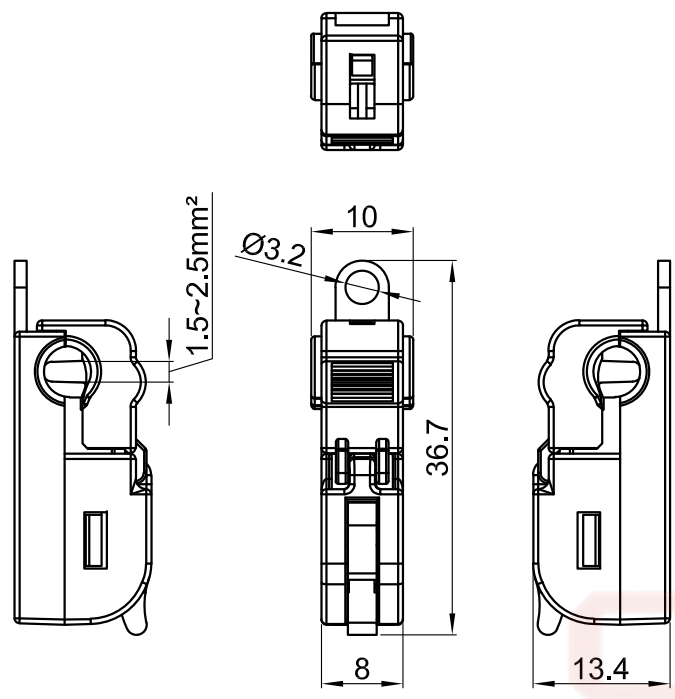


NOTES:
 Rated voltage:250V
 Rated current:32A
 Wire range:1.5mm²-2.5mm²
 Temp.Range:-20°C~+105°C
 Steip Length:9mm
 Materials:
 Contact:Copper Alloy,Nature
 Insulator:Nylon&PC
 Spring:Stainless steel
 Box Size:19.5*13*3.6CM
 Product Number Code:
 DS1165-51-BOX-01

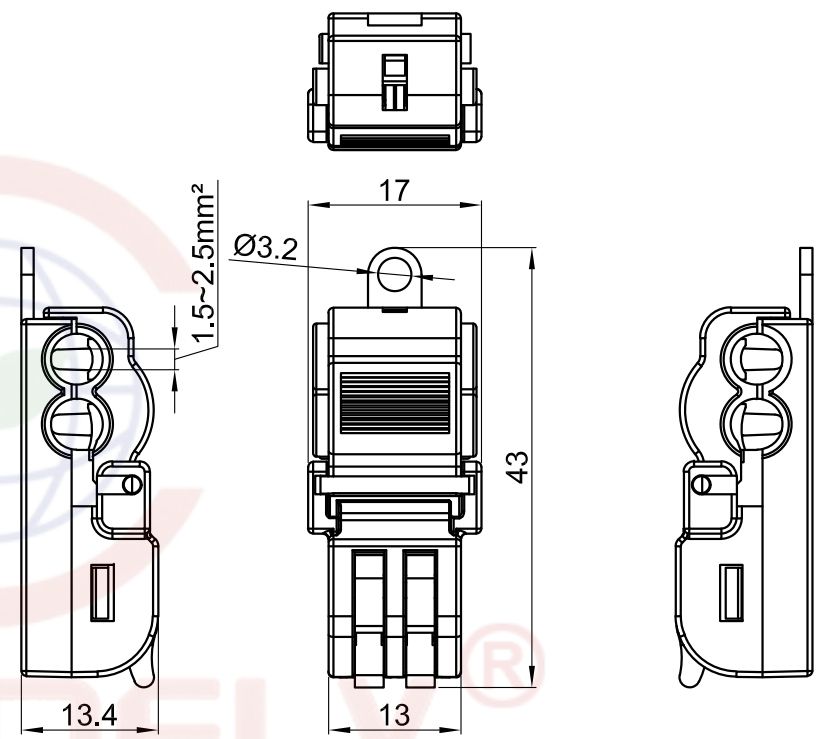


GENERAL TOLERANCE		ANGLE TOLERANCE		PROJECTION		TITLE	58PCS IDC Type Quick-connect Terminal			
X.	±0.30	X.	±2°	UNITS	mm	SERIES	DS1165-51 Series			
.X	±0.20	.X	±1°	SHEET SIZE	A4					
.XX	±0.15	.XX	±0.5°							
DRAWING TYPE		CUSTOMER DRAWING			晨翔电子有限公司 CONNFLY CONNFLY ELECTRONIC CO. LTD					
SCALE		1:1	SHEET						1 OF 3	
DRAWING NO.		C-DS1165-51-BOX-01-A								

REV.	DESCRIPTION	DRAWN	CHECKED	APPROVED
A	NEW RELEASE	WPY 03/06/26'		



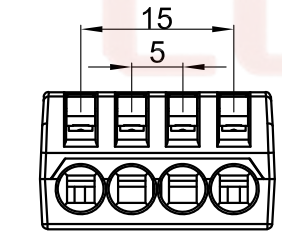
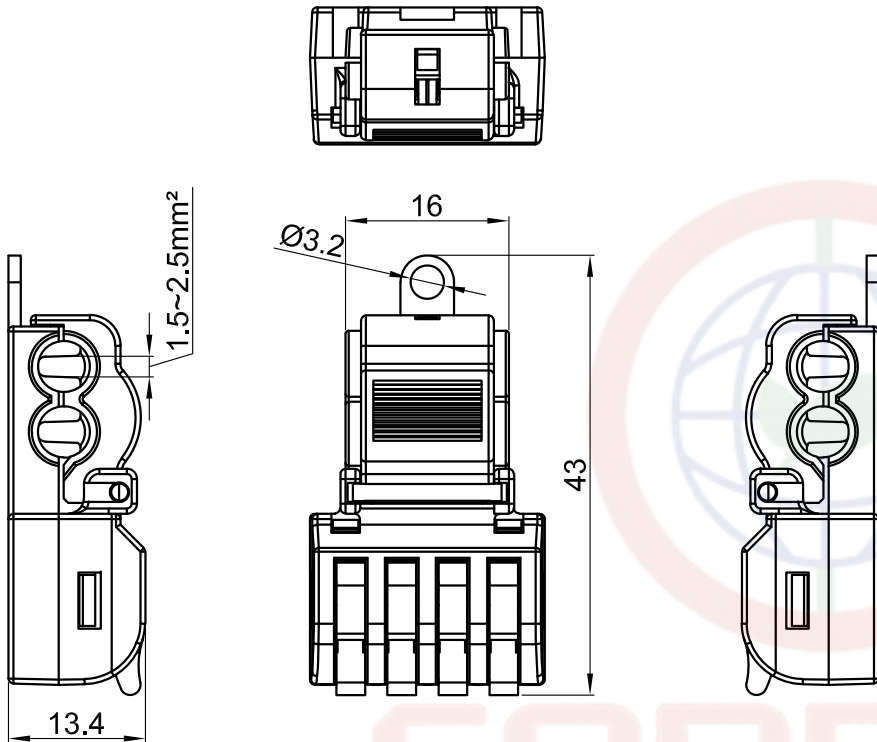
1T1



2T2

GENERAL TOLERANCE		ANGLE TOLERANCE		PROJECTION		TITLE	IDC Type Quick-connect Terminal	
X.	±0.30	X.	±2°	UNITS	mm			
.X	±0.20	.X	±1°	SHEET SIZE	A4	SERIES	DS1165-51 Series	
.XX	±0.15	.XX	±0.5°	晨翔电子有限公司 CONNFLY CONNFLY ELECTRONIC CO. LTD				
DRAWING TYPE		CUSTOMER DRAWING						
SCALE	1:1	SHEET	2 OF 3					
DRAWING NO.		C-DS1165-51-BOX-01-A						

REV.	DESCRIPTION	DRAWN	CHECKED	APPROVED
A	NEW RELEASE	WPY 03/06/26'		




2T4

GENERAL TOLERANCE		ANGLE TOLERANCE	
X.	±0.30	X.	±2°
.X	±0.20	.X	±1°
.XX	±0.15	.XX	±0.5°

PROJECTION	TITLE	IDC Type Quick-connect Terminal	
UNITS	mm		
SHEET SIZE	A4	SERIES	DS1165-51 Series

DRAWING TYPE	CUSTOMER DRAWING		
SCALE	1:1	SHEET	3 OF 3
DRAWING NO.	C-DS1165-51-BOX-01-A		


晨翔电子有限公司
CONNFLY CONNFLY ELECTRONIC CO. LTD