


REV.	DESCRIPTION	DRAWN	CHECKED	APPROVED
A	NEW RELEASE	WPY 03/06/26'		

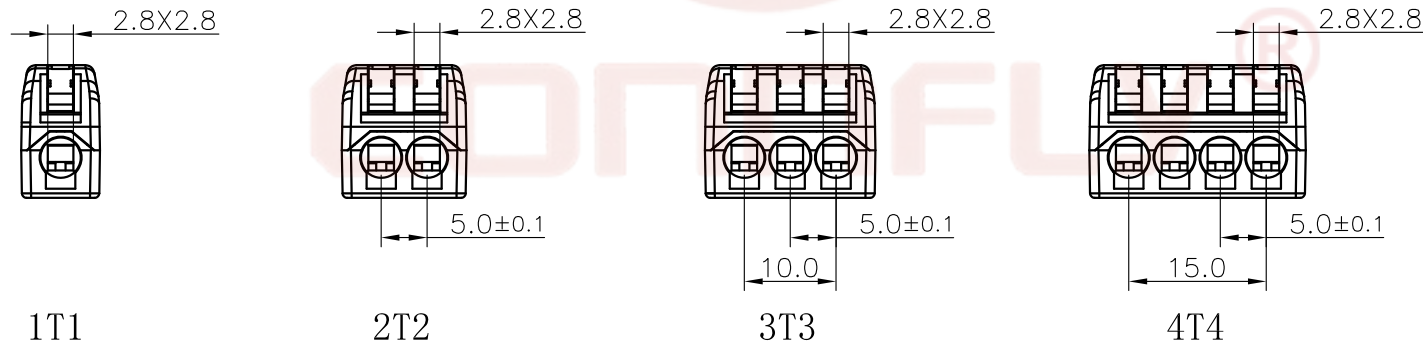
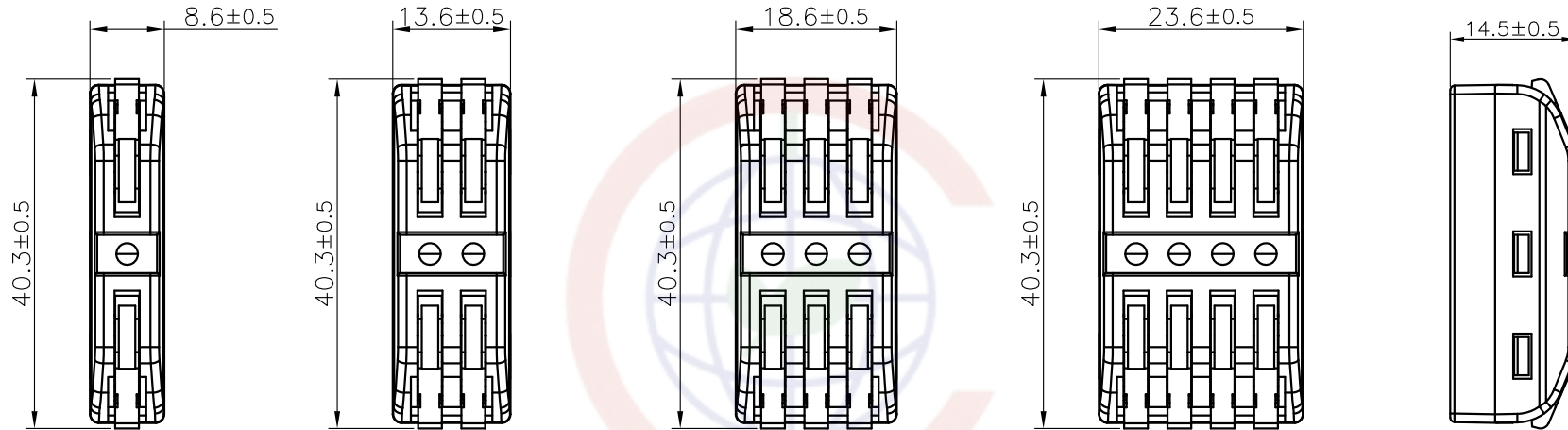


NOTES:

Standard UL  
 Rated voltage:400V  
 Rated current:32A  
 Wire range:0.5mm<sup>2</sup>-4.0mm<sup>2</sup>(Hard);  
 0.5mm<sup>2</sup>-2.5mm<sup>2</sup>(Soft)  
 Temp.Range:-40°C~+105°C  
 Steip Length:(9-10)mm  
 Box size:19.5\*13\*3.6CM  
 Materials:  
 Contact: Copper Alloy,Nature.  
 Insulator: Nylon.  
 Spring: Stainless steel.  
 Product Number Code:  
 DS1165-15-BOX-01

GENERAL TOLERANCE		ANGLE TOLERANCE		PROJECTION	TITLE	Multi-in Multi-out Quick-connect Terminal Splitter Set		
X.	±0.30	X.	±2°	mm	SERIES	DS1165-15 Series		
.X	±0.20	.X	±1°					
.XX	±0.15	.XX	±0.5°					
DRAWING TYPE		CUSTOMER DRAWING		 <b>晨翔电子有限公司</b> <b>CONNFLY CONNFLY ELECTRONIC CO. LTD</b>				
SCALE		1:1	SHEET					1 OF 2
DRAWING NO.		C-DS1165-15-BOX-01-A						

REV.	DESCRIPTION	DRAWN	CHECKED	APPROVED
A	NEW RELEASE	WPY 03/06/26'		



GENERAL TOLERANCE		ANGLE TOLERANCE		PROJECTION		TITLE	Multi-in Multi-out Quick-connect Terminal Splitter	
X.	$\pm 0.30$	X.	$\pm 2^\circ$	UNITS	mm	SERIES	DS1165-15 Series	
.X	$\pm 0.20$	.X	$\pm 1^\circ$	SHEET SIZE	A4			
.XX	$\pm 0.15$	.XX	$\pm 0.5^\circ$					
DRAWING TYPE		CUSTOMER DRAWING		 <b>晨翔电子有限公司</b> <b>CONNFLY CONNFLY ELECTRONIC CO. LTD</b>				
SCALE		1:1	SHEET					2 OF 2
DRAWING NO.		C-DS1165-15-BOX-01-A						