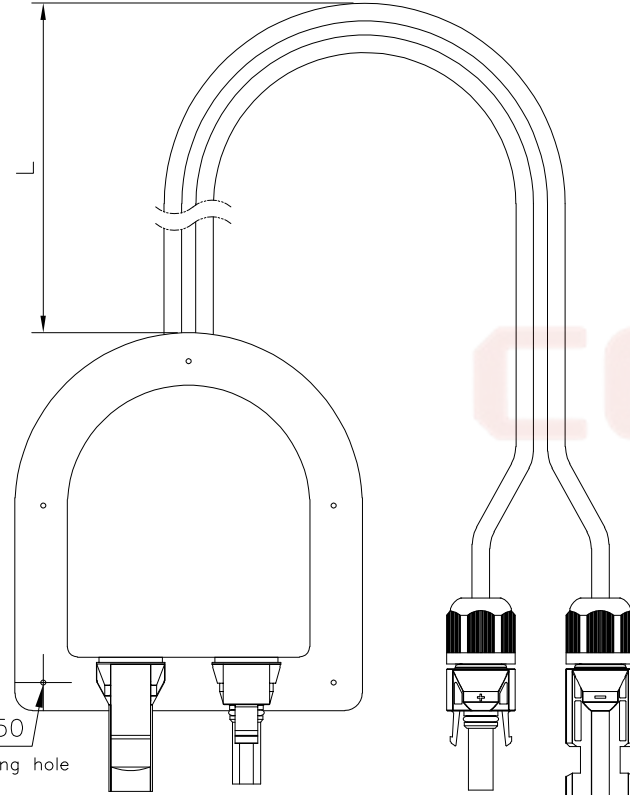
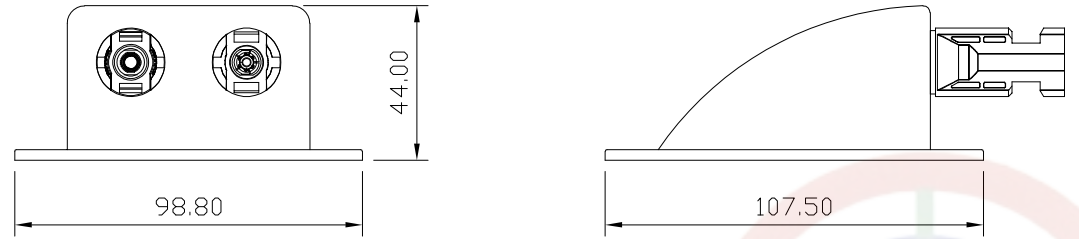


Dept	
Qty	
DC	1
ED	1
IE	1
ISO	1
PD	1
R&D	1
SD	1
QA	1
QC	1
QE	1

REV.	DESCRIPTION	DRAWN	CHECKED	APPROVED
A	NEW RELEASE	WPY 03/20/25'		

The information provided herein is from CONNFLY Electronic Co., Ltd. and is confidential. Any disclosure to a party other than the recipient is prohibited. The intellectual properties and its rights of CONNFLY Electronic Co., Ltd. are reserved. Any modification is strictly prohibited without prior written consent from CONNFLY. All intellectual properties provided herein are for reference purposes only and does not constitute authorization of its use in any format or manner. CONNFLY may enforce its intellectual property rights at its own discretion; failures or delays to exercise such rights does not constitute a waiver of such rights.



Notes:

Specifications:

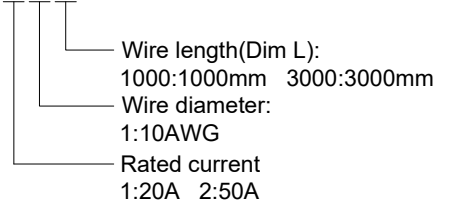
1. Rated current: 20/50A
2. Rated voltage: 300V DC
3. Adaptive wire diameter: 10AWG/6mm²
4. Operation temperature: -20 °C ~ +85 °C

Materials:

1. Insulation material: PC/PA/PPO/PVC/ABS
2. Contact wire diameter: Brass
3. Protection level: UL94V-1

Product Number Code:

DS1162-88-XX X 0



GENERAL TOLERANCE		ANGLE TOLERANCE	
X.	±0.60	X.	±5°
.X	±0.38	.X	±3°
.XX	±0.25	.XX	±2°
DRAWING TYPE		CUSTOMER	
SCALE		1:1	SHEET 1 OF 1
DRAWING NO.		C-DS1162-88-XXX0-A	

PROJECTION		TITLE	RV ROOF SOLAR EXTENSION CABLE
UNITS	mm		
SHEET SIZE	A4	SERIES	DS1162-88 SERIES

晨翔电子有限公司
CONNFLY CONNFLY ELECTRONIC CO. LTD