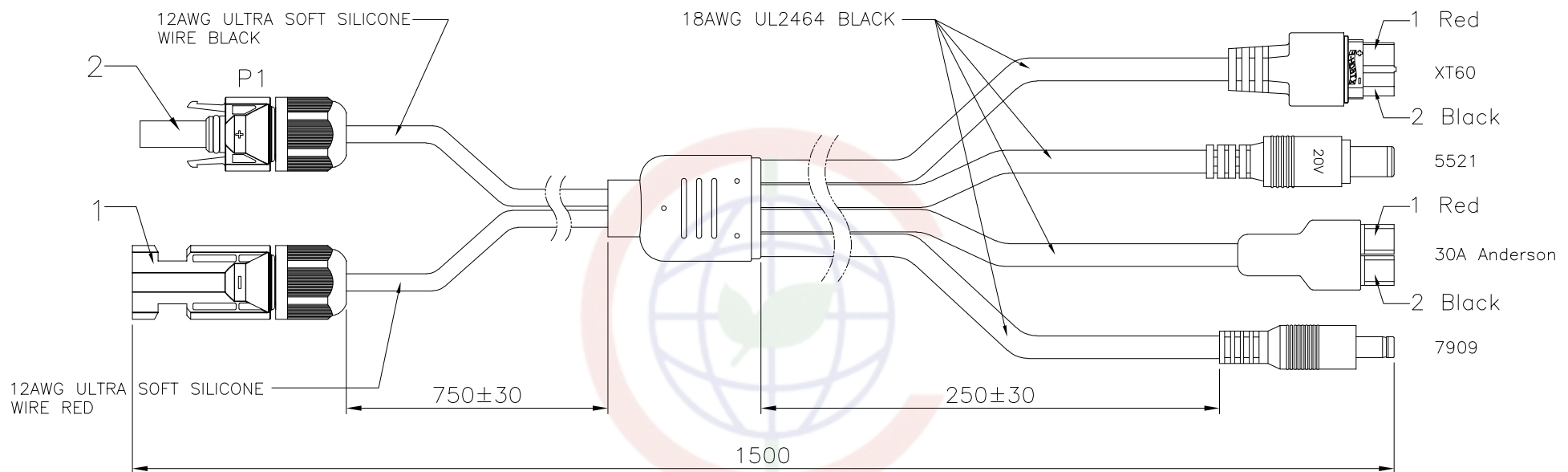


The information provided herein is from CONNPLY Electronic Co., Ltd. and is confidential. Any disclosure to a party other than the recipient is prohibited. The intellectual properties and its rights of CONNPLY Electronic Co., Ltd. are reserved. Any modification is strictly prohibited without prior written consent from CONNPLY. All intellectual properties provided herein are for reference purposes only and does not constitute authorization of its use in any format or manner. CONNPLY may enforce its intellectual property rights at its own discretion; failures or delays to exercise such rights does not constitute a waiver of such rights.

REV.	DESCRIPTION	DRAWN	CHECKED	APPROVED
A	NEW RELEASE	WPY 03/19/25'		



Note:

Specifications:

- 1.High voltage:12-440V
- 2.Current transformer:2Ω MAX
- 3.Insulation resistance:5MΩ MIN
- 4.Open short:100%

Materials:

- 1.Cable core Insulation material:PVC
- 2.Core material:Oxygen free copper

Product Number Code:

DS1162-85-X X X X 0

- Line length: 1500:1500mm
- Wire gauge: 1:12AWG+16AWG
- Type of adapter: 1:PV 1000V+XT60 & Anderson & 7909 & 5521
- Product category: 4:One to four

Wiring diagram

P1———P1

P2———P2

GENERAL TOLERANCE		ANGLE TOLERANCE		PROJECTION	TITLE
X.	±0.60	X.	±5°		ONE TO FOUR PHOTOVOLTAIC CABLE(XT60
.X	±0.38	.X	±3°	mm	7909 5521 30A ANDERSON)
.XX	±0.25	.XX	±2°	A4	SHEET SIZE
DRAWING TYPE		CUSTOMER		SERIES DS1162-85 Series	
SCALE		1:1		SHEET 1 OF 1	
DRAWING NO.		C-DS1162-85-XXXX0-A		<b>晨翔电子有限公司</b> <b>CONNPLY CONNPLY ELECTRONIC CO. LTD</b>	