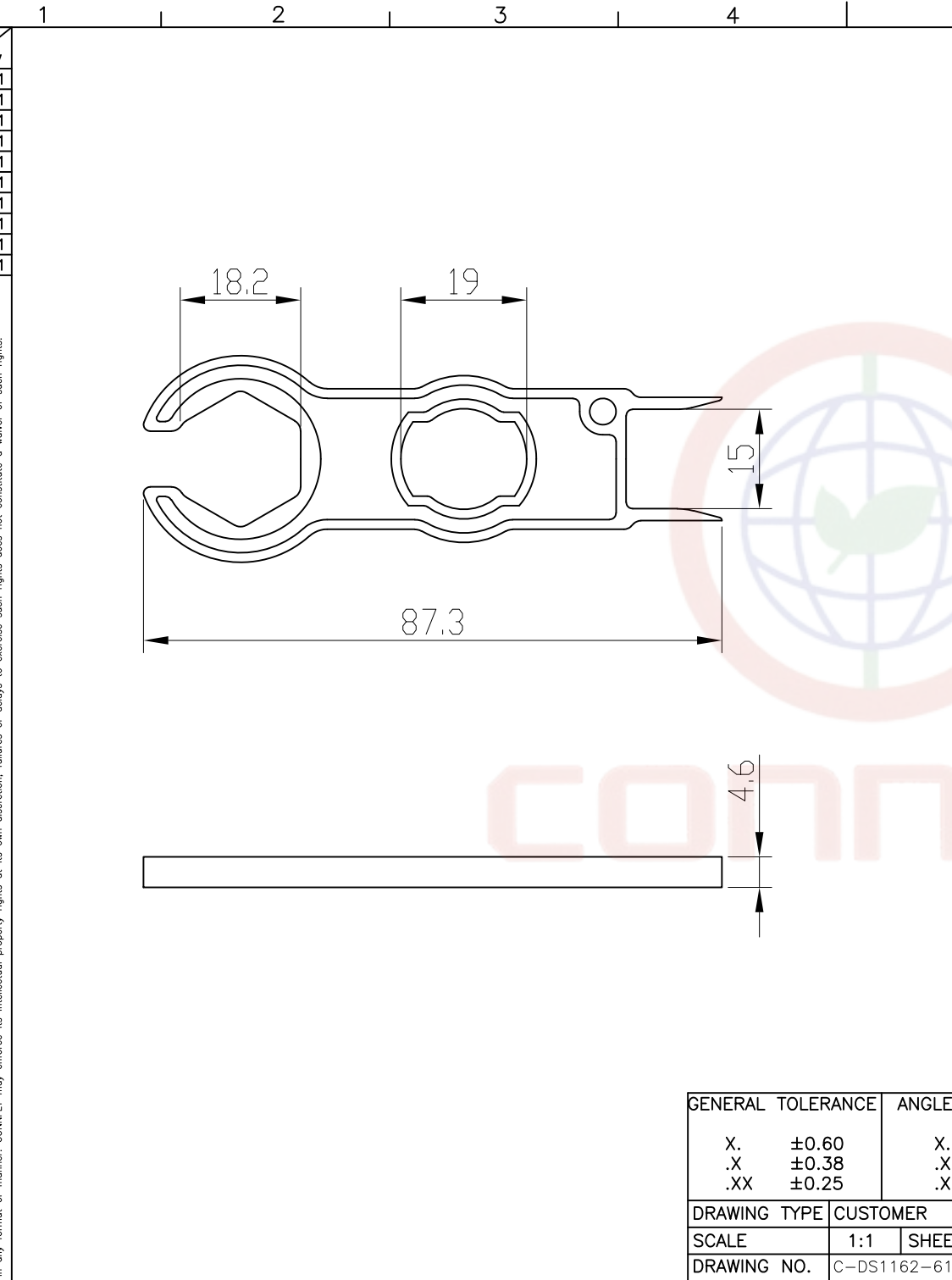


The information provided herein is from CONNPLY Electronic Co., Ltd. and is confidential. Any disclosure to a party other than the recipient is prohibited. The intellectual properties and its rights of CONNPLY Electronic Co., Ltd. are strictly protected. Any modification is strictly prohibited without prior written consent from CONNPLY. All intellectual properties provided herein are for reference purposes only and does not constitute authorization of its use in any format or manner. CONNPLY may enforce its intellectual property rights at its own discretion; failures or delays to exercise such rights does not constitute a waiver of such rights.



REV.	DESCRIPTION	DRAWN	CHECKED	APPROVED
A	NEW RELEASE	WPY 10/14/24'		

Note:
 Specifications.
 1. Voltage Rating: 1000V Solar Connector
 2. Product Material: Zinc alloy
 3. Features: Effortless and relaxed
 4. Usage: Thread tightening, buckle loosening
 Product Number Code:

DS1162-61-X X
 Applicable connector:
 1: 1000V Solar Connector
 Spanner color:
 S: Silvery

GENERAL TOLERANCE		ANGLE TOLERANCE		PROJECTION		TITLE	1000V Solar Connector metal
X.	±0.60	X.	±5°	UNITS	mm	hex wrench	
.X	±0.38	.X	±3°	SHEET SIZE	A4	SERIES	DS1162-61 Series
.XX	±0.25	.XX	±2°	晨翔电子有限公司 CONNPLY CONNPLY ELECTRONIC CO. LTD			
DRAWING TYPE		CUSTOMER					
SCALE	1:1	SHEET	1 OF 1				
DRAWING NO.		C-DS1162-61-XX-A					