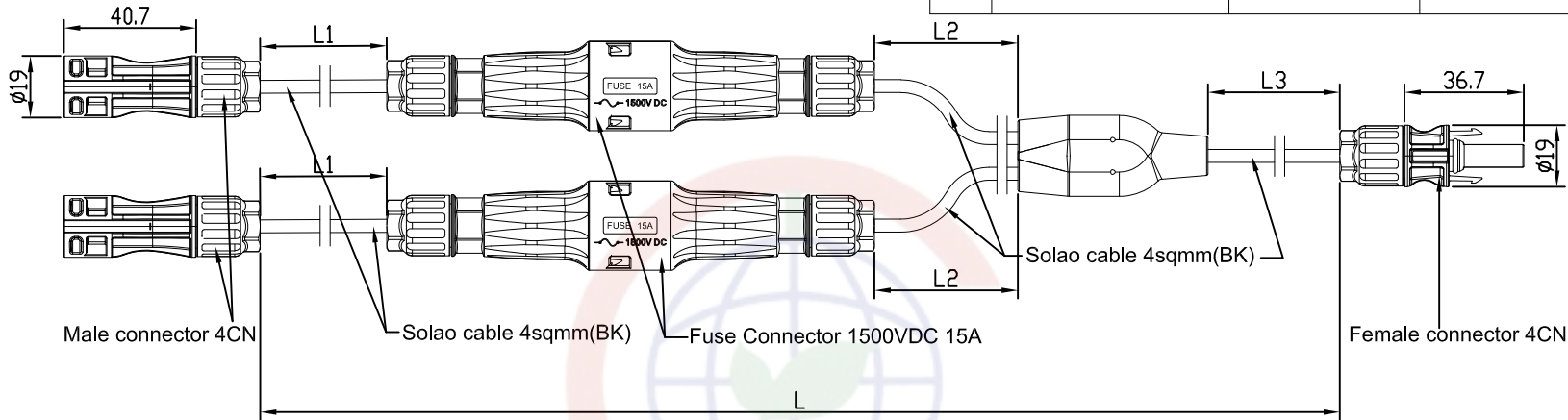


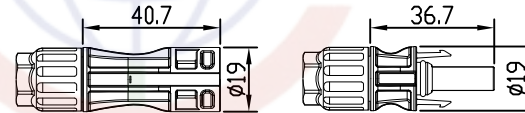
The information provided herein is from CONNFLY Electronic Co., Ltd. and is confidential. Any disclosure to a party other than the recipient is prohibited. The intellectual properties and its rights of CONNFLY Electronic Co., Ltd. are reserved. All intellectual properties provided herein are for reference purposes only and does not constitute authorization of its use in any format or manner. CONNFLY may enforce its intellectual property rights at its own discretion; failures or delays to exercise such rights does not constitute a waiver of such rights.

1 2 3 4 5 6 7 8

REV.	DESCRIPTION	DRAWN	CHECKED	APPROVED
A	NEW RELEASE	WPY 09/20/24'		



1500VDC PV4.0 Cable Connector



Note:

Specifications:

1. Contact Resistance: 0.25mΩMax
2. Rated Impulse voltage: 16KV
3. Test volatge: 8Kv(50Hz,1min)
4. Degree of protection: IP68(1M,1H)
5. Overvoltage category/Pollution degree: CATIII/2
5. Ambient temperature range: -40℃~+85℃ (IEC)
6. Upper limiting temperature: 110℃ (IEC)
6. Connecting system: Crimp connection: CATI/2
7. Safety degree: II
7. Flame class: UL94-V0
8. Regulatory approval: TUV/CE(IEC62852:2014)

Materials:

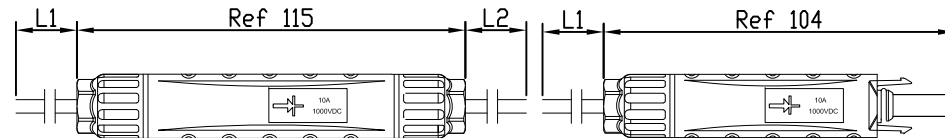
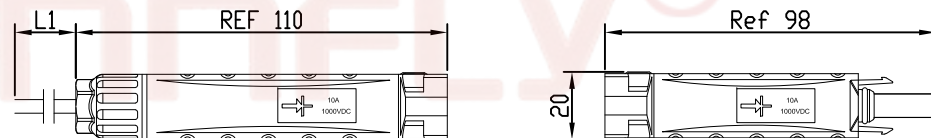
1. Contact material: COPPER, Tin plated
2. Insulation material: PPE/TPE/PA

Product number code:

C-DS1162-57-X X X X X

- Line length (Dim L)
300:300mm 400:400mm 500:500mm ...
- Wire gauge
2.5:2.5mm² 4:4mm² 6:6mm²
- Voltage Rating
1: 1000VDC 2: 1500VDC
- NO. of contacts:
A: 1Female+1Male B: 1Male+2Female
- No. of channels:
3: 3

1000VDC PV4.0 Diode Connector



Support customize the cable length

GENERAL TOLERANCE		ANGLE TOLERANCE		PROJECTION	TITLE
X.	±0.60	X.	±5°		PV 2 to 1 YH Type Cable Assembly With Solar Connector With Fuse
.X	±0.38	.X	±3°	mm	
.XX	±0.25	.XX	±2°	A4	
DRAWING TYPE		CUSTOMER		SHEET SIZE	SERIES
SCALE		1:1		C-DS1162-57 SERIES	
DRAWING NO.		C-DS1162-57-XXXXX-A		1 OF 1	

晨翔电子有限公司
CONNFLY CONNFLY ELECTRONIC CO. LTD

1 2 3 4 5 6 7 8