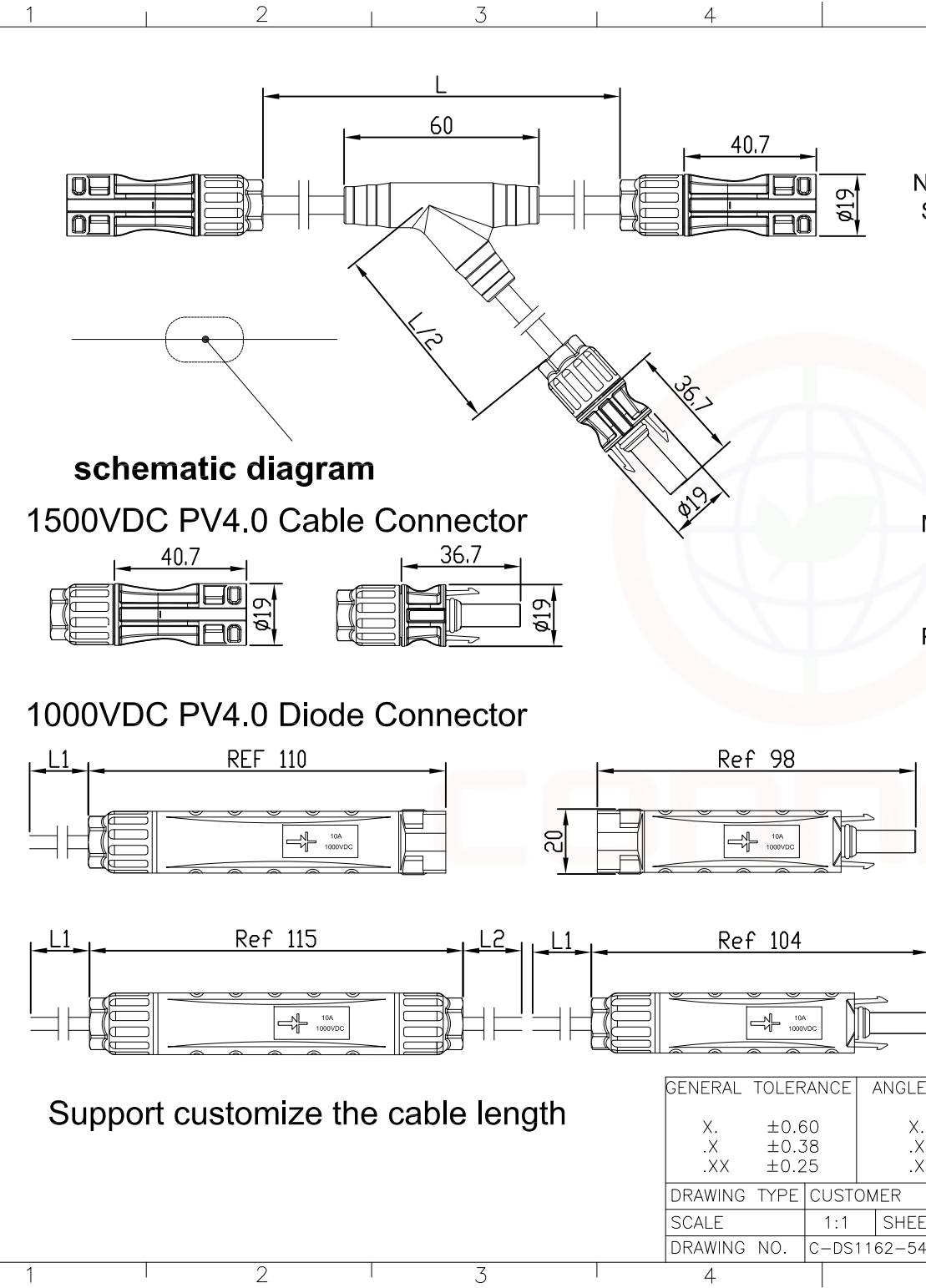


The information provided herein is from CONNPLY Electronic Co., Ltd. and is confidential. Any disclosure to a party other than the recipient is prohibited. The intellectual properties and its rights are strictly reserved for CONNPLY. All intellectual properties provided herein are for reference purposes only and does not constitute authorization of its use in any format or manner. CONNPLY may enforce its intellectual property rights at its own discretion; failures or delays to exercise such rights does not constitute a waiver of such rights.



REV.	DESCRIPTION	DRAWN	CHECKED	APPROVED
A	NEW RELEASE	WPY 09/20/24'		

- Note:**
Specifications:
1. Contact Resistance: 0.25mΩMax
 2. Rated Impulse voltage: 16KV
 3. Test volatge: 8Kv(50Hz,1min)
 4. Degree of protection: IP68(1M,1H)
 5. Overvoltage category/Pollution degree: 5
 5. Ambient temperature range: -40°C~+85°C (IEC)
 6. Upper limiting temperature: 110°C (IEC)
 6. Connecting system: Crimp connection
 7. Safety degree: II
 8. Regulatory approval: TUVICE(IEC62852:2014)

- Materials:**
1. Contact material: COPPER, Tin plated
 2. Insulation material: PPE/TPE/PA
 3. Flame class: UL94-V0
- Product number code:**
 C-DS1162-54-X X X X X
- Line length (Dim L)
150:150mm 300:300mm 500:500mm ...
 - CABLE SIZE
2.5:2.5mm² 4:4mm² 6:6mm²
 - Voltage Rating
1: 1000VDC 2: 1500VDC
 - NO. of contacts:
A: 1Female+2Male B: 1Male+2Female
C: 1Female+3Male D: 1Male+3Female
 - No. of channels:
3: 3 4: 4

GENERAL TOLERANCE		ANGLE TOLERANCE	
X.	±0.60	X.	±5°
.X	±0.38	.X	±3°
.XX	±0.25	.XX	±2°

DRAWING TYPE	CUSTOMER		
SCALE	1:1	SHEET	1 OF 1
DRAWING NO.	C-DS1162-54-XXXXX-A		

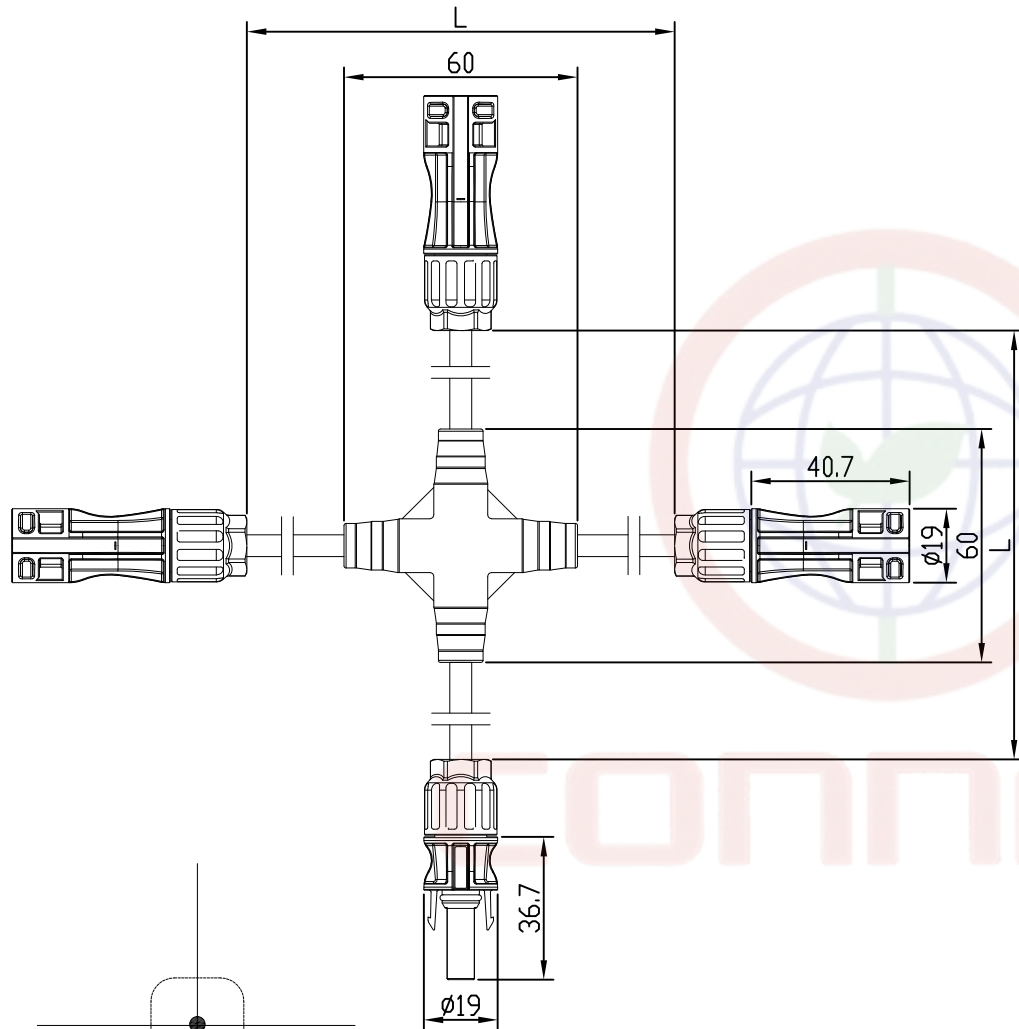
PROJECTION	TITLE
	PV Cable Assemblies Extension Cable
UNITS	mm
SHEET SIZE	A4
SERIES	C-DS1162-54 SERIES

晨翔电子有限公司
CONNPLY CONNPLY ELECTRONIC CO. LTD

Dept	Qty
DC	1
ED	1
IE	1
ISO	1
PD	1
R&D	1
SD	1
QA	1
QC	1
QE	1

The information provided herein is from CONNFLY Electronic Co., Ltd. and is confidential. Any disclosure to a party other than the recipient is prohibited. The intellectual properties and its rights are strictly reserved. All intellectual properties provided herein are for reference purposes only and does not constitute authorization of its use in any format or manner. CONNFLY may enforce its intellectual property rights at its own discretion; failures or delays to exercise such rights does not constitute a waiver of such rights.

REV.	DESCRIPTION	DRAWN	CHECKED	APPROVED
A	NEW RELEASE	WPY 09/20/24'		



schematic diagram

Note:

Specifications:

1. Contact Resistance: 0.25mΩMax
2. Rated Impulse voltage: 16KV
3. Test volatge: 8Kv(50Hz, 1min)
4. Degree of protection: IP68(1M, 1H)
5. Overvoltage category/Pollution degree: 5
5. Ambient temperature range: -40℃ +85℃ (IEC)
6. Upper limiting temperature: 110℃ (IEC)
6. Connecting system: Crimp connection: CATI/2
7. Safety degree: II
7. Flame class: UL94-V0
8. Regulatory approval: TUVICE(IEC62852:2014)

Materials:

1. Contact material: COPPER, Tin plated
2. Insulation material: PPE/TPE/PA

Product number code:

C-DS1162-54-X X X X X

- D Line length
150:150mm 300:300mm 500:500mm ...
- Wire gauge
2.5:2.5mm² 4:4mm² 6:6mm²
- Voltage Rating
1: 1000VDC 2: 1500VDC
- NO. of contacts:
A: 1Female+2Male B: 1Male+2Female
C: 1Male+2Female
- No. of channels:
3: 3 4: 4

GENERAL TOLERANCE		ANGLE TOLERANCE	
X.	±0.60	X.	±5°
.X	±0.38	.X	±3°
.XX	±0.25	.XX	±2°
DRAWING TYPE		CUSTOMER	
SCALE	1:1	SHEET	1 OF 1
DRAWING NO.	C-DS1162-54-XXXXX-A		

PROJECTION		TITLE	PV Cable Assemblies Extension Cable
UNITS	mm	SHEET	A4
SHEET SIZE	A4	SERIES	C-DS1162-54 SERIES

晨翔电子有限公司
CONNFLY CONNFLY ELECTRONIC CO. LTD