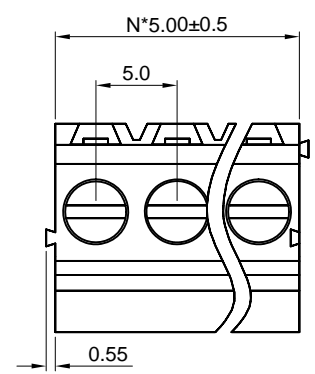
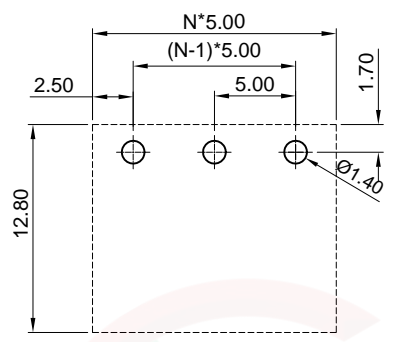


| | |
|------|---|
| Dept | |
| Qty | |
| DC | 1 |
| ED | 1 |
| IE | 1 |
| ISO | 1 |
| PD | 1 |
| R&D | 1 |
| SD | 1 |
| QA | 1 |
| QC | 1 |
| QE | 1 |

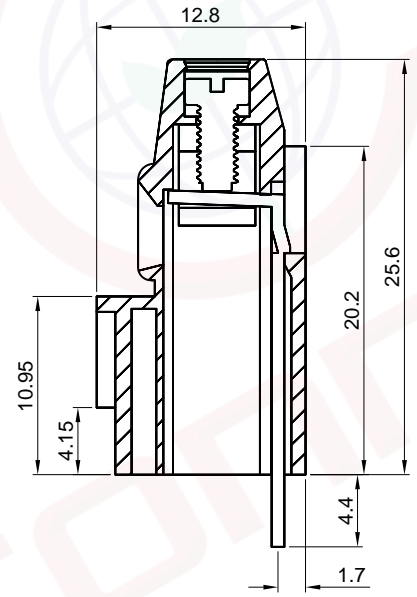
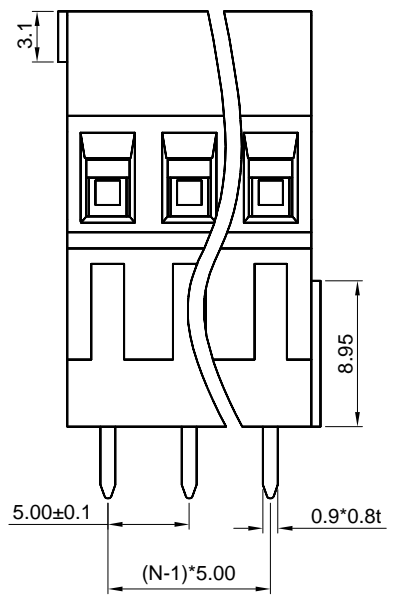
The information provided herein is from CONNELY Electronic Co., Ltd. and is confidential. Any disclosure to a party other than the recipient is prohibited. The intellectual properties and its rights contained herein, including but not limited to, trademarks, patents, copyrights, trade secrets, and technical know-how, are owned exclusively by CONNELY or its affiliates. Unauthorized use or reproduction of any part of this document is strictly prohibited. CONNELY may enforce its intellectual property rights at its own discretion, failures or delays to exercise such rights does not constitute a waiver of such rights.



N=No.of contacts



Recommend PCB layout
(Tolerance:±0.05)



(Series Image-Reference Only)

| REV. | DESCRIPTION | DRAWN | CHECKED | APPROVED |
|------|-------------|---------------|---------|----------|
| A | NEW RELEASE | JLZ 09/03/22' | | |
| | | | | |
| | | | | |

NOTES:
 Standard UL
 Rated voltage:300V
 Rated current:10A
 Wrth standing voltage:AC 1000V/1 Min
 Wire range:26~12AWG
 Temp.Range:-40°C~+105°C
 Pitch:5.00mm
 Poles:2~24P
 Materials:
 Contact: Copper Alloy,Tin plated.
 Insulator: Nylon.
 Wire guard:Steel or Copper Alloy,Zinc or Nickel Plated.
 Screw:M2.5,Steel,Zinc Plated.
 Product Number Code:

DS1159-29 - X X X X

- Wire Guard Materials
- C: Copper Alloy
- F: Steel
- Contact plating
- 6: Tin
- Housing color
- G: Green
- No.of contacts
- 2-24

| | | | | | | | | |
|-------------------|-------|--------------------|--------|--|----|----------------|---------------------------|--|
| GENERAL TOLERANCE | | ANGLE TOLERANCE | | PROJECTION | | TITLE | 5.00mm PCB Screw Terminal | |
| X. | ±0.60 | X. | ±5° | UNITS | mm | Block V/T Type | | |
| .X | ±0.38 | .X | ±3° | SHEET SIZE | A4 | SERIES | DS1159-29 SERIES | |
| .XX | ±0.25 | .XX | ±2° | 晨翔电子有限公司 CONNFLY CONNELY ELECTRONIC CO. LTD | | | | |
| DRAWING TYPE | | CUSTOMER | | | | | | |
| SCALE | 1:1 | SHEET | 1 OF 1 | | | | | |
| DRAWING NO. | | C-DS1159-29-XXXX-A | | | | | | |