

REV.	DESCRIPTION	DRAWN	CHECKED	APPROVED
A	NEW RELEASE	WPY 03/06/26'		



NOTES:

Standard UL

Rated voltage:300V

Rated current:8A

Wrth standing voltage:AC 1000V/1 Min

Wire range:26~14AWG

Temp.Range:-40°C~+105°C

Pitch:5.00mm

Box size:19.5*13*3.6CM

Materials:

Contact: Copper Alloy,Tin plated.


Insulator: Nylon.

Wire guard:Copper Alloy,Nickel Plated.

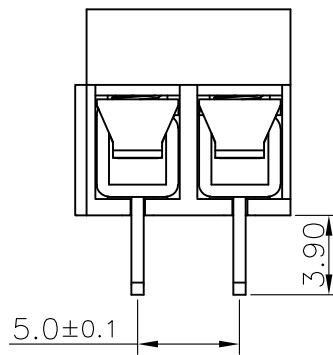
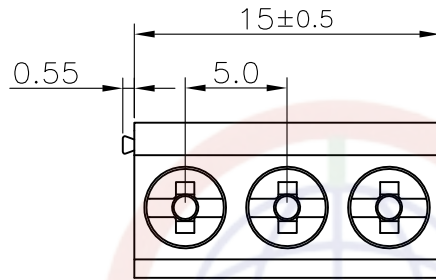
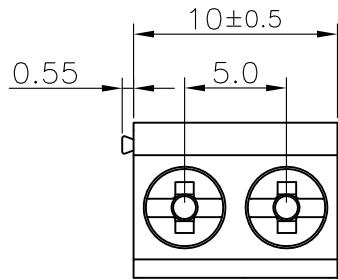
Screw:M2.5,Steel,Zinc Plated.

Product Number Code:

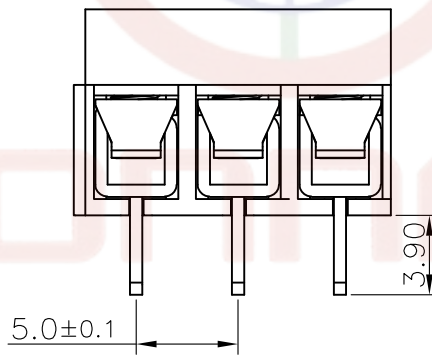
DS1159-26-BOX-01

GENERAL TOLERANCE		ANGLE TOLERANCE		PROJECTION	TITLE
X.	±0.30	X.	±2°	mm	5.0mm PCB TerminalBlocks Set
.X	±0.20	.X	±1°	A4	SERIES DS1159-26 Series
.XX	±0.15	.XX	±0.5°		
DRAWING TYPE		CUSTOMER DRAWING		 晨翔电子有限公司 CONNPLY CONNPLY ELECTRONIC CO. LTD	
SCALE		1:1	SHEET 1 OF 2		
DRAWING NO.		C-DS1159-26-BOX-01-A			

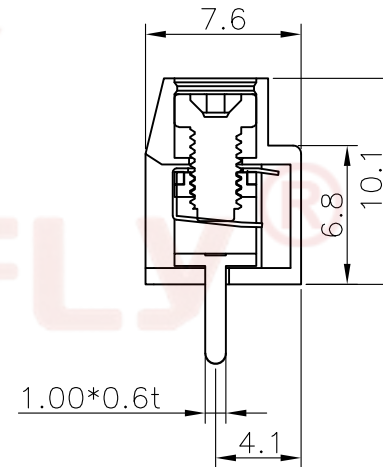
REV.	DESCRIPTION	DRAWN	CHECKED	APPROVED
A	NEW RELEASE	WPY 03/06/26'		



2PIN




3PIN



GENERAL TOLERANCE		ANGLE TOLERANCE	
X.	±0.30	X.	±2°
.X	±0.20	.X	±1°
.XX	±0.15	.XX	±0.5°

PROJECTION		TITLE	5.0mm PCB TerminalBlocks
UNITS	mm	SERIES	DS1159-26 Series
SHEET SIZE	A4		

DRAWING TYPE	CUSTOMER DRAWING		
SCALE	1:1	SHEET	2 OF 2
DRAWING NO.	C-DS1159-26-BOX-01-A		

 晨翔电子有限公司
CONNFLY CONNFLY ELECTRONIC CO. LTD