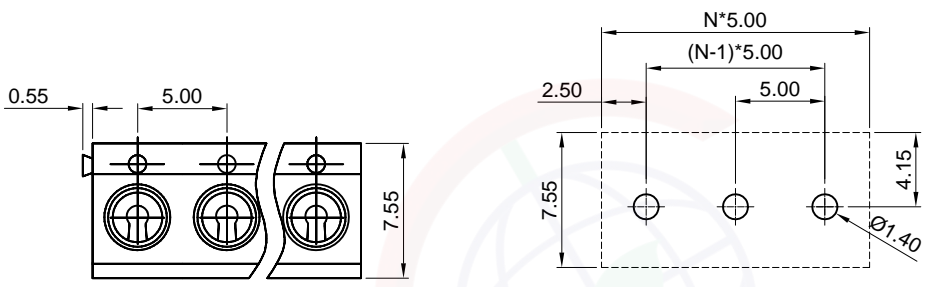


Dept	Qty
DC	1
ED	1
IE	1
ISO	1
PD	1
R&D	1
SD	1
QA	1
QC	1
QE	1

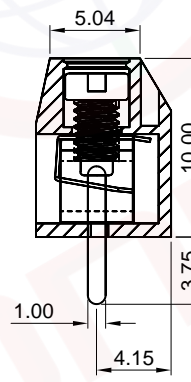
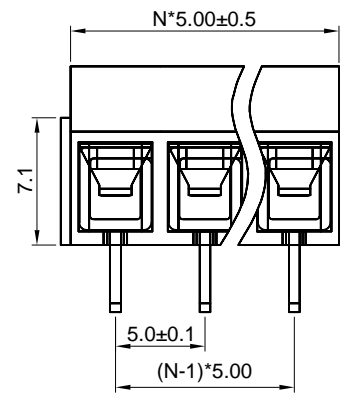
The information provided herein is from CONNELY Electronic Co., Ltd. and is confidential. Any disclosure to a party other than the recipient is prohibited. The intellectual properties and its rights contained herein, including but not limited to, trademarks, patents, copyrights, trade secrets, and technical know-how, are owned exclusively by CONNELY or its affiliates. Unauthorized use or reproduction of any part of this document is strictly prohibited. CONNELY reserves all rights and may enforce its intellectual property rights at its own discretion, failures or delays to exercise such rights does not constitute a waiver of such rights. CONNELY may enforce its intellectual property rights at its own discretion, failures or delays to exercise such rights does not constitute a waiver of such rights.

REV.	DESCRIPTION	DRAWN	CHECKED	APPROVED
A	NEW RELEASE	JLZ 09/03/22'		



N=No.of contacts

Recommend PCB layout  
(Tolerance:±0.05)



NOTES:  
 Standard UL  
 Rated voltage:300V  
 Rated current:15A  
 Wrth standing voltage:AC 1000V/1 Min  
 Wire range:26~14AWG  
 Temp.Range:-40°C~+105°C  
 Pitch:5.00mm  
 Poles:2~24P  
 Materials:  
 Contact: Copper Alloy,Tin plated.  
 Insulator: Nylon.  
 Wire guard:Copper Alloy,Nickel Plated.  
 Screw:M2.5,Steel,Zinc Plated.  
 Product Number Code:

DS1159-23 - X X X  
 Contact plating  
 6: Tin  
 Housing color  
 L:Blue .....  
 No.of contacts  
 2-24



(Series Image-Reference Only)

GENERAL TOLERANCE		ANGLE TOLERANCE		PROJECTION		TITLE	5.00mm PCB Screw Terminal
X.	±0.60	X.	±5°	UNITS	mm	Block V/T Type	
.X	±0.38	.X	±3°	SHEET SIZE	A4	SERIES	DS1159-23 SERIES
.XX	±0.25	.XX	±2°	<b>晨翔电子有限公司</b> <b>CONNFLY ELECTRONIC CO. LTD</b>			
DRAWING TYPE		CUSTOMER					
SCALE	1:1	SHEET	1 OF 1				
DRAWING NO.		C-DS1159-23-XXX-A					