

Dept
Qty
DC 1
ED 1
IE 1
ISO 1
PD 1
R&D 1
SD 1
QA 1
QC 1
QE 1

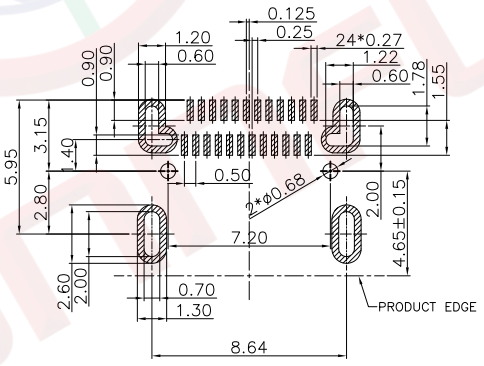
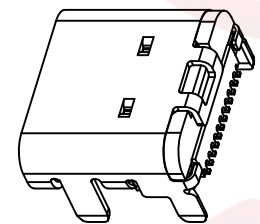
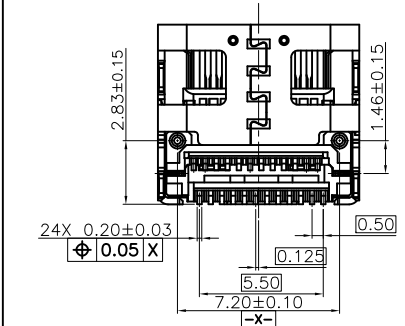
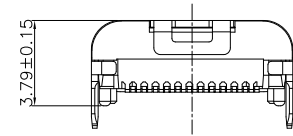
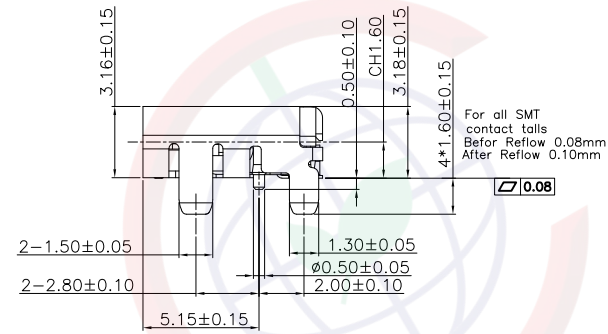
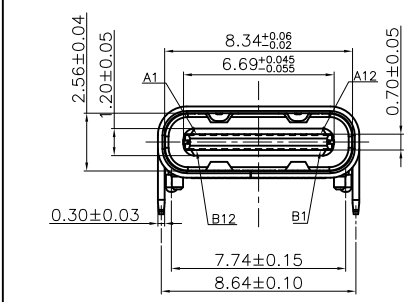
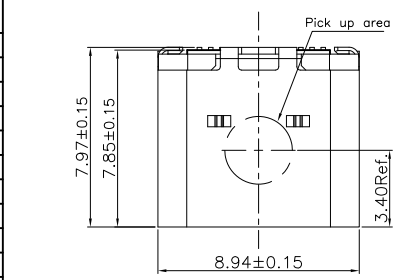
The information provided herein is from CONNELY Electronic Co., Ltd. and is confidential. Any disclosure to a party other than the recipient is prohibited. The intellectual properties and its rights contained herein, including but not limited to, trademarks, patents, copyrights, trade secrets, and technical know-how, are owned exclusively by CONNELY or its affiliates. Unauthorized use or reproduction of this document in any format or manner, CONNELY may enforce its intellectual property rights at its own discretion; failures or delays to exercise such rights does not constitute a waiver of such rights.

1 2 3 4 5 6 7 8

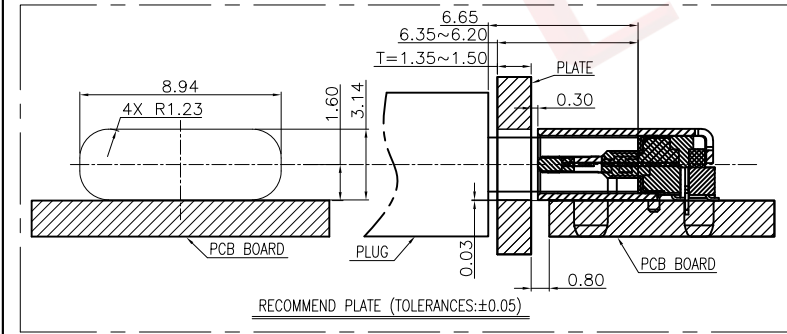
REV.	DESCRIPTION	DRAWN	CHECKED	APPROVED
A	NEW RELEASE	JLZ 01/18/21'		

NOTE:
 1.ELECTRICAL CHARACTERISTICS;
 1.1 CONTACT RESISTANCE: 30mΩ Max FOR INITIAL. CHANGE 10mΩ MAX AFTER DURABILITY TEST
 1.2 CONTACT CURRENT RATING: 6A FOR Vbus PIN; 1.25A FOR Vconn PIN.
 1.3 DIELECTRIC WITHSTANDING VOLTAGE: 500V AC R.M.S.
 1.4 INSULATION RESISTANCE 100MΩ Min
 1.5 OPERATING TEMPERATURE: -40°C ~ 85°C
 2. MECHANICAL CHARACTERISTICS:
 2.1 MATING FORCE: 6~20 N.
 2.2 UNMATED FORCE: INITIAL 8~20N; 5~20N AFTER DURABILITY TEST
 2.3 DURABILITY: 10,000 CYCLES

3.Product number code:
 DS1144-45 - X X X X X X X X
 No. of contacts: 24: 24pin
 Connector type: F: Female
 Mounting type: S: SMT type
 Packing Type: R: Tape On Reel
 Shell Plating: N: Full Nicke
 Housing color: B: Black
 Contact Plating: 3: Selective 30u" gold



RECOMMEND P.C.B LAYOUT (COMPONENT SIDE)
 TOLERANCE FOR PCB LAYOUT IS ±0.05
 KEEP OUT AREA (TOP VIEW)



07	OUTER SHELL	STAINLESS STEEL	1	T=0.30 Plating nickel
06	OVER MOULDING		1	BLACK UL94 V-0
05	BOTTOM CONTACT I/M	LCP	1	BLACK UL94 V-0
04	TOP CONTACT I/M		1	BLACK UL94 V-0
03	SHIELDING PLATE	STAINLESS STEEL	1	T=0.15 80u" Weldable Nickel Plated
02	BOTTOM CONTACT	Copper alloy	1	T=0.12 Au 30u" Plated function area 100u"matte Sn plated at solder area
01	TOP CONTACT	Copper alloy	1	T=0.12 Au 30u" Plated function area 100u"matte Sn plated at solder area
NO.	VARIETY	MATERIAL	QT,Y	REMARK

GENERAL TOLERANCE		ANGLE TOLERANCE	
X.	±0.60	X.	±5°
.X	±0.38	.X	±3°
.XX	±0.25	.XX	±2°

PROJECTION	TITLE
	USB C Type 24P Female SMT Type L=7.9mm Centre-H=1.6mm
UNITS	mm
SHEET SIZE	A4
SERIES	DS1144-45 SERIES

DRAWING TYPE	CUSTOMER
SCALE	1:1 SHEET 1 OF 1
DRAWING NO.	C-DS1144-45-XXXXXX-A

晨翔电子有限公司
 CONNELY CONNELY ELECTRONIC CO. LTD

1 2 3 4 5 6 7 8