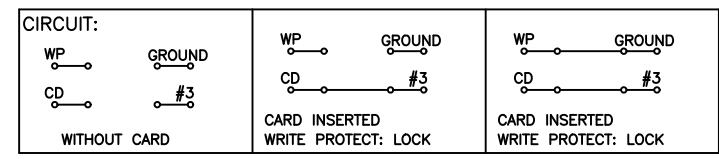
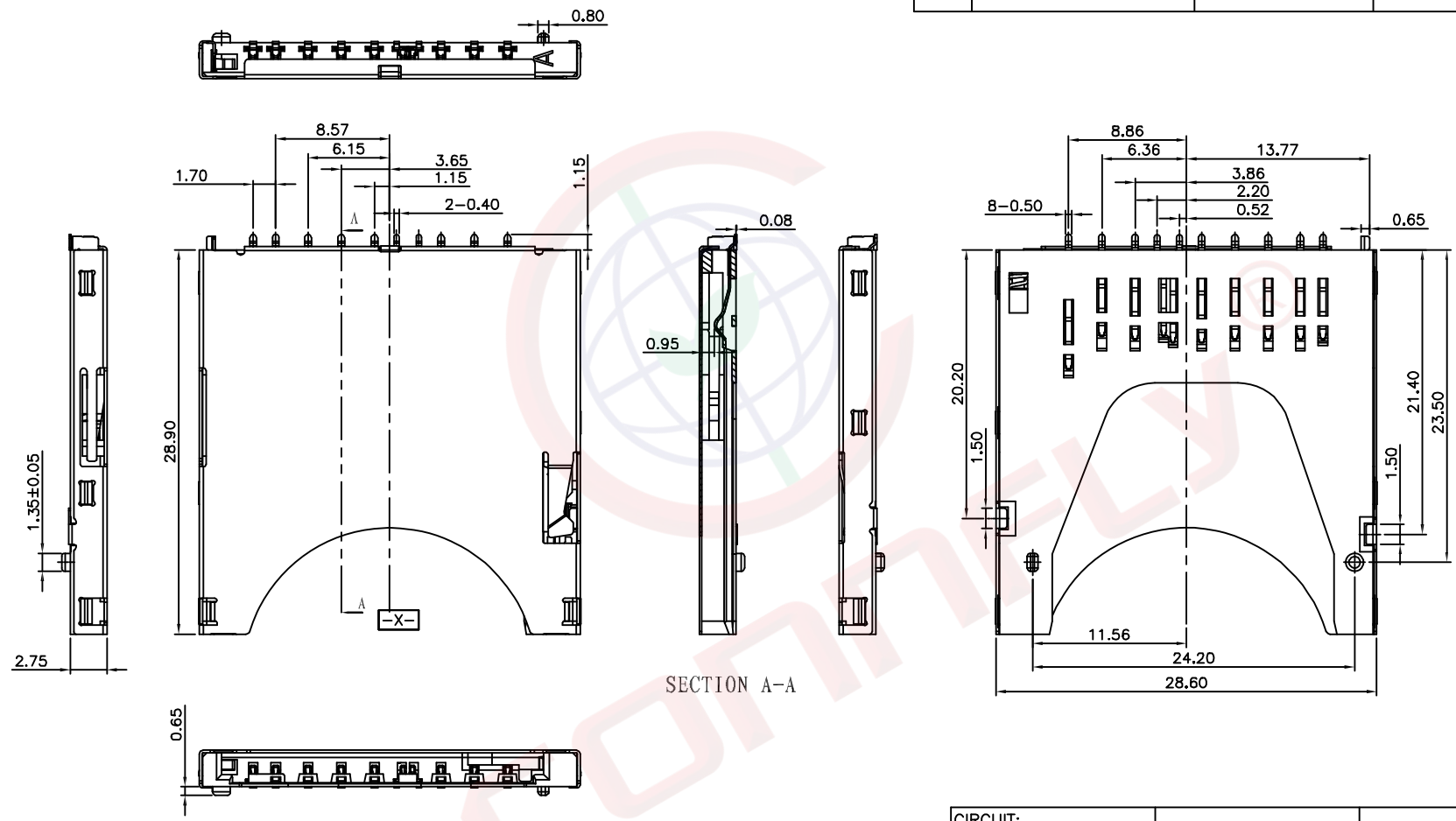


Dept	
Qty	
DC	1
ED	1
IE	1
ISO	1
PD	1
R&D	1
SD	1
QA	1
QC	1
QE	1

REV.	DESCRIPTION	DRAWN	CHECKED	APPROVED
A	NEW RELEASE	JLZ 10/11/14'		
B	DRAWING UPDATE	JLZ 05/03/17'		
C	DRAWING UPDATE	JLZ 09/15/21'		

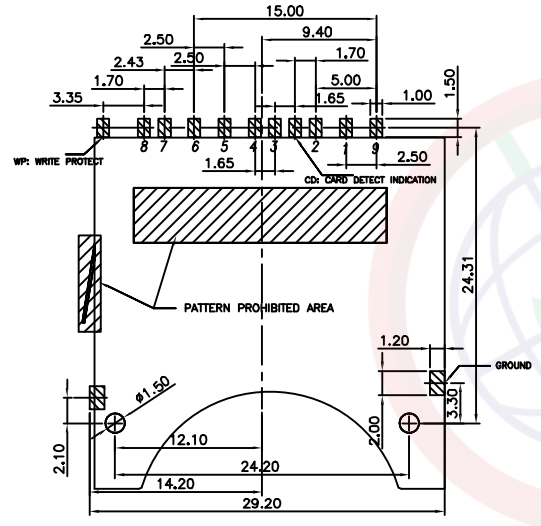
The information provided herein is from CONNELY Electronic Co., Ltd. and is confidential. Any disclosure to a party other than the recipient is prohibited. The intellectual properties and its rights contained herein, including but not limited to, trademarks, patents, copyrights, trade secrets, and technical know-how, are owned exclusively by CONNELY or its affiliates. Unauthorized use or reproduction of any part of this document is strictly prohibited. CONNELY may enforce its intellectual property rights at its own discretion, failures or delays to exercise such rights does not constitute a waiver of such rights.



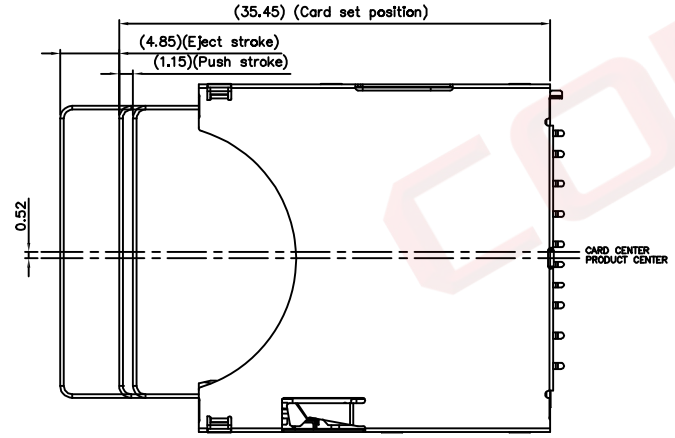
GENERAL TOLERANCE		ANGLE TOLERANCE		PROJECTION		TITLE	
X.	±0.60	X.	±5°			SD CARD PUSH-PUSH POST Ø1.45mm H=2.75MM	
.X	±0.38	.X	±3°	UNITS		mm	
.XX	±0.25	.XX	±2°	SHEET SIZE		A4	
DRAWING TYPE		CUSTOMER		SERIES		DS1139-03 SERIES	
SCALE		1:1		SHEET		1 OF 2	
DRAWING NO.		C-DS1139-03-XXXXXXX-C		晨翔电子有限公司 CONNFLY CONNELY ELECTRONIC CO. LTD			

Dept	
Qty	
DC	1
ED	1
IE	1
ISO	1
PD	1
R&D	1
SD	1
QA	1
QC	1
QE	1

The information provided herein is from CONNELY Electronic Co., Ltd. and is confidential. Any disclosure to a party other than the recipient is prohibited. The intellectual properties and its rights contained herein, including but not limited to, trademarks, patents, copyrights, trade secrets, and technical know-how, are owned exclusively by CONNELY or its affiliates. Unauthorized use or reproduction of any part of this document is strictly prohibited. CONNELY may enforce its intellectual property rights at its own discretion, failures or delays to exercise such rights does not constitute a waiver of such rights.



RECOMMENDED PCB LAYOUT
(ALL TOLERANCE ARE ±0.05)



	PIN NO.	SD	MMC
P1	MMC-DAT3 SD-CD/DAT3	1P	1P
P2	MMC-CMD SD-CMD	2P	2P
P3	MMC-VSS1 SD-VSS1	3P	3P
P4	MMC-VDD SD-VDD	4P	4P
P5	MMC-CLK SD-CLK	5P	5P
P6	MMC-VSS2 SD-VSS2	6P	6P
P7	MMC-DAT0 SD-DAT0	7P	7P
P8	SD-DAT1	8P	
P9	SD-DAT2	9P	

REV.	DESCRIPTION	DRAWN	CHECKED	APPROVED
A	NEW RELEASE	JLZ 10/11/14'		
B	DRAWING UPDATE	JLZ 05/03/17'		
C	DRAWING UPDATE	JLZ 09/15/21'		

Notes:

- Material:
 - Insulator: High Temperature LCP UL94V-0 Color of Black.
 - Contacts: Copper Alloy.
 - Shell: Stainless Steel.
- Finish:
 - Solder Area: Matte Tin.
 - Contact Area: Gold Over Nickel.
- Specifications:
 - Operate Temperature: -40° C~+85° C
 - Insulation Resistance: 1000MΩ Min.
 - Contact Resistance: 30mΩ max.
 - Withstanding Voltage: 500V AC 1min.
 - Operating Voltage: 30V AC/DC.
 - Current Rating: 0.5A
- Product Number Code:

DS1139-03 - XX X X X X X X

- Packing Type
R: Tape On Reel
- Shell Plating
S: Stainless
- Housing color
B: Black
- Contact Plating
0: Selective gold flash
4: Selective 3u" gold
J: Selective 5u" gold
1: Selective 10u" gold
- Mounting type
S: SMT type
- Connector type
S: Socket
- No. of contacts
09:9pin

GENERAL TOLERANCE		ANGLE TOLERANCE	
X.	±0.60	X.	±5°
.X	±0.38	.X	±3°
.XX	±0.25	.XX	±2°

DRAWING TYPE	CUSTOMER		
SCALE	1:1	SHEET	2 OF 2
DRAWING NO.	C-DS1139-03-XXXXXXX-C		

PROJECTION		TITLE	SD CARD PUSH-PUSH POST Ø1.45mm H=2.75MM
UNITS	mm	SERIES	DS1139-03 SERIES

晨翔电子有限公司
 CONNELY CONNELY ELECTRONIC CO. LTD