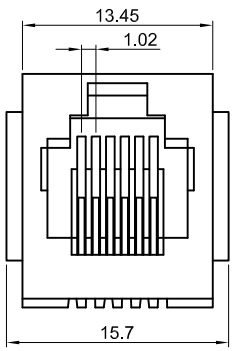


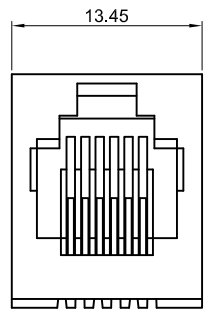
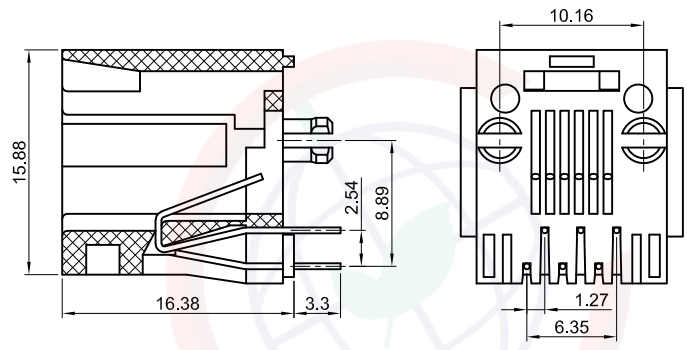
The information provided herein is from CONNELY Electronic Co., Ltd. and is confidential. Any disclosure to a party other than the recipient is prohibited. The intellectual properties and its rights contained herein, including but not limited to, trademarks, patents, copyrights, trade secrets, and technical know-how, are owned exclusively by CONNELY or its affiliates. Unauthorized use of this information in any format or manner. CONNELY may enforce its intellectual property rights at its own discretion; failures or delays to exercise such rights does not constitute a waiver of such rights.

1 2 3 4 5 6 7 8

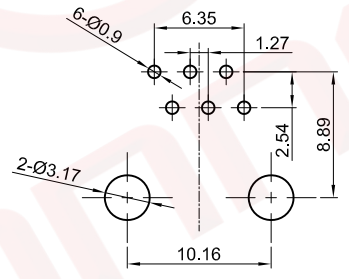
REV.	DESCRIPTION	DRAWN	CHECKED	APPROVED
A	NEW RELEASE	LJC 01/17/09'		LJC 06/26/06'
B	DRAWING UPDATE	JLZ 12/18/24'		



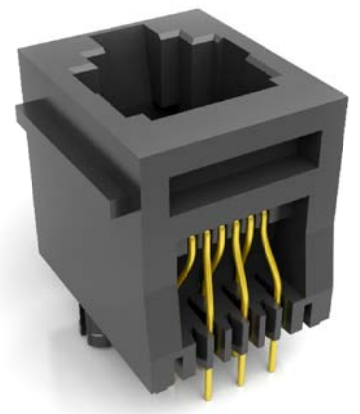
W/ EAR



W/O EAR



Recommend PCB Layout(Tolerance=±0.05)



(Series Image-Reference Only)

Notes:

1. Electrical Characteristics:
 - 1.1 Contact Resistance: 30mΩ Max.
 - 1.2 Dielectric Withstanding Voltage: 500V AC(rms) For 1 Minute.
 - 1.3 Insulation Resistance: 500MΩ Min.
 - 1.4 Current Rating:1.5A.
 - 1.5 Voltage Rating:125V AC rms.
2. Environment Characteristics:
 - 2.1 Temperature: -40°C~+85°C.
3. Materials:
 - 3.1 Contact Material: Copper Alloy.
 - 3.2 Contact Plating: Gold Plating Over Nickel.
 - 3.3 Insulator Materials:PBT,UL94-V0.
4. Product Number Code:

DS1133-02 - X X X X X

- Ear Support
S:W/ Ear
X:W/O Ear
- Housing Color
B:Black
A:Gray
- Contact Plating
0:gold flash
3:3u" Gold
(6;15;30)Micro Inch
- No.Of Contacts
6:6p6c 4:6P4C
- Connector Type
S:Socket

GENERAL TOLERANCE		ANGLE TOLERANCE		PROJECTION		TITLE	PCB Jack 6 Positions W/O Shell V/T Type
X.	±0.60	X.	±5°	UNITS	mm	SHEET	1 OF 1
.X	±0.38	.X	±3°	SHEET SIZE	A4	SERIES	DS1133-02 SERIES
.XX	±0.25	.XX	±2°	晨翔电子有限公司 CONNELY CONNELY ELECTRONIC CO. LTD			
DRAWING TYPE		CUSTOMER					
SCALE		1:1					
DRAWING NO.		C-DS1133-02-XXXXX-B					

1 2 3 4 5 6 7 8