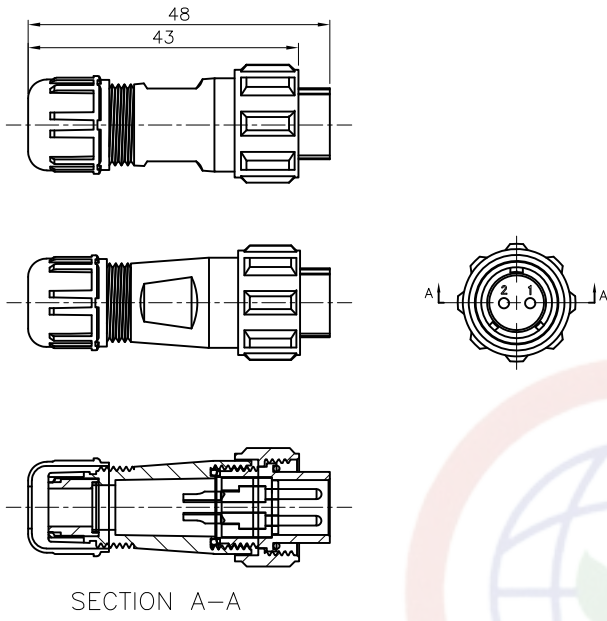
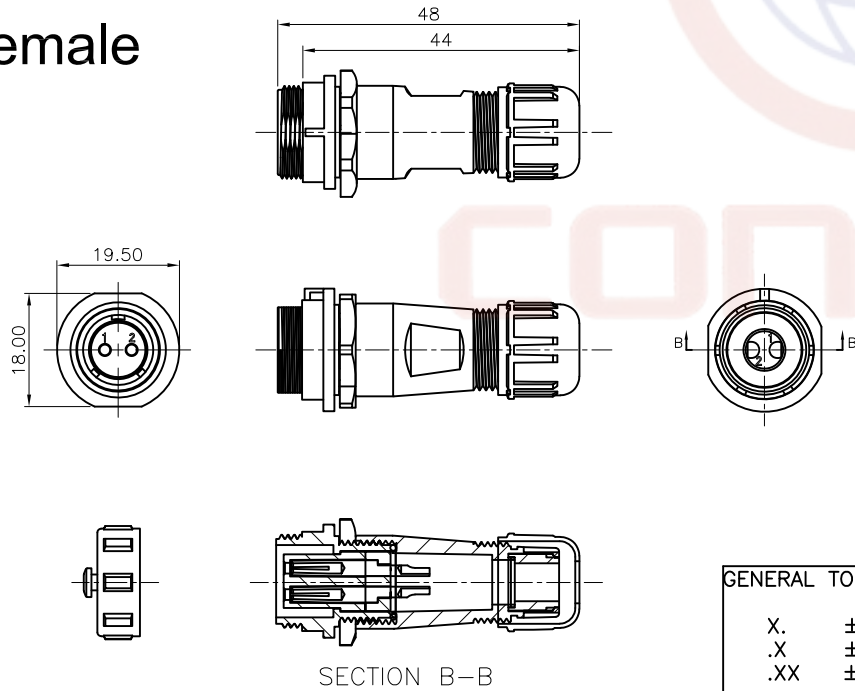


The information provided herein is from CONNFLY Electronic Co., Ltd. and is confidential. Any disclosure to a party other than the recipient is prohibited. The intellectual properties and its right of modification is strictly prohibited without prior written consent from CONNFLY. All intellectual properties provided herein are for reference purposes only and does not constitute authorization of its use in any format or manner. CONNFLY may enforce its intellectual property rights at its own discretion; failures or delays to exercise such rights does not constitute a waiver of such rights.

Male



Female



| REV. | DESCRIPTION | DRAWN | CHECKED | APPROVED |
|------|-------------|---------------|---------|----------|
| A | NEW RELEASE | WPY 02/08/25' | | |
| | | | | |
| | | | | |

NOTE:

1. Rated voltage: 250V
2. Rated current: 16A
3. Insulation resistance: 2000MΩ
4. Withstand voltage: 1500V
5. Operating temperature: -25°C to +85°C
6. Wiring method: Solder
7. Mating cycle: 500 cycles

Materials:

1. Shell material: PPO, PA66, UL94V-0
2. Insulation material: PPS
High temperature resistance 260°C
3. Contact material: Brass with gold plating

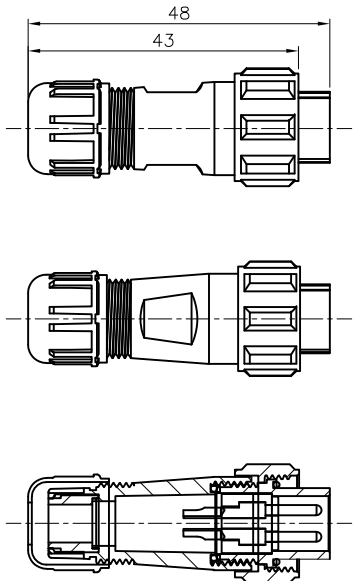
Product Number Code:
DS1110-74-XXXXXX

- Install Type:
- A: Docking Type
- Cable diameter:
- 1: 4-6.5mm
- 2: 5-8mm
- Contact Plating:
- 8: Gold flash
- Color of nut:
- L: blue
- Color of housing:
- B: Black
- No. of Contacts:
- 02: 2Pin 03: 3Pin

| | | | | | | | | |
|-------------------|-------|----------------------|-------|--|----|--------|--|--------|
| GENERAL TOLERANCE | | ANGLE TOLERANCE | | PROJECTION | | TITLE | 13mm Waterproof aviation plug (Solder type) | |
| X. | ±0.60 | X. | ±5° | UNITS | mm | SERIES | DS1110-74 Series | |
| .X | ±0.38 | .X | ±3° | | | | | |
| .XX | ±0.25 | .XX | ±2° | | | | | |
| DRAWING TYPE | | CUSTOMER | | 晨翔电子有限公司 CONNFLY CONNFLY ELECTRONIC CO. LTD | | | | |
| SCALE | | 1:1 | SHEET | | | | | 1 OF 3 |
| DRAWING NO. | | C-DS1110-74-XXXXXX-A | | | | | | |

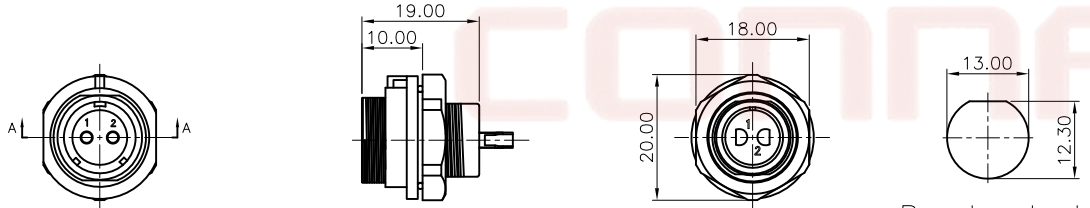
The information provided herein is from CONNFLY Electronic Co., Ltd. and is confidential. Any disclosure to a party other than the recipient is prohibited. The intellectual properties and its right of modification is strictly prohibited without prior written consent from CONNFLY. All intellectual properties provided herein are for reference purposes only and does not constitute authorization of its use in any format or manner. CONNFLY may enforce its intellectual property rights at its own discretion; failures or delays to exercise such rights does not constitute a waiver of such rights.

Male

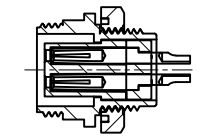


SECTION A-A

Female



Panel cutout
Plate thickness ≤ 3mm



SECTION B-B

| REV. | DESCRIPTION | DRAWN | CHECKED | APPROVED |
|------|-------------|---------------|---------|----------|
| A | NEW RELEASE | WPY 02/08/25' | | |
| | | | | |
| | | | | |

NOTE:

1. Rated voltage: 250V
2. Rated current: 16A
3. Insulation resistance: 2000MΩ
4. Withstand voltage: 1500V
5. Operating temperature: -25°C to +85°C
6. Wiring method: Solder
7. Mating cycle: 500 cycles

Materials:

1. Shell material: PPO, PA66, UL94V-0
2. Insulation material: PPS
High temperature resistance 260°C
3. Contact material: Brass with gold plating

Product Number Code:
DS1110-74-XXXXXX

- Install Type:
- B: Rear nut type
- Cable diameter:
- 1: 4-6.5mm
- 2: 5-8mm
- Contact Plating:
- 8: Gold flash
- Color of nut:
- L: blue
- Color of housing:
- B: Black
- No. of Contacts:
- 02: 2Pin 03: 3Pin

| | | | | | | | |
|-------------------|-------|----------------------|--------------|---|----|--------|--|
| GENERAL TOLERANCE | | ANGLE TOLERANCE | | PROJECTION | | TITLE | 13mm Waterproof aviation plug (Solder type) |
| X. | ±0.60 | X. | ±5° | UNITS | mm | SERIES | DS1110-74 Series |
| .X | ±0.38 | .X | ±3° | SHEET SIZE | A4 | | |
| .XX | ±0.25 | .XX | ±2° | | | | |
| DRAWING TYPE | | CUSTOMER | | 晨翔电子有限公司 CONNFLY CONNFLY ELECTRONIC CO. LTD | | | |
| SCALE | | 1:1 | SHEET 2 OF 3 | | | | |
| DRAWING NO. | | C-DS1110-74-XXXXXX-A | | | | | |

Dept
Qty
DC 1
ED 1
IE 1
ISO 1
PD 1
R&D 1
SD 1
QA 1
QC 1
QE 1

| REV. | DESCRIPTION | DRAWN | CHECKED | APPROVED |
|------|-------------|---------------|---------|----------|
| A | NEW RELEASE | WPY 02/08/25' | | |
| | | | | |
| | | | | |

Solder contact arrangement and spec

| No.of Contacts | 2 | 3 |
|---------------------------------|---------------|-------|
| Malc contact face view | | |
| Rated current (A) | 16A | 16A |
| Contact diameter | 1.6*2 | 1.6*3 |
| Wiring method | Screw locking | |
| Woring Voltage(AC.V) | 250V | 250V |
| Test Voltage(AC.V)1min | 1500V | 1500V |
| Contact resistance(mΩ) | 2mΩ | 2mΩ |
| Wire Size(mm ² /AWG) | ≤2/14 | ≤2/14 |

The information provided herein is from CONNFLY Electronic Co., Ltd. and is confidential. Any disclosure to a party other than the recipient is prohibited. The intellectual properties and its rights of CONNFLY Electronic Co., Ltd. are strictly protected. Any modification is strictly prohibited without prior written consent from CONNFLY. All intellectual properties provided herein are for reference purposes only and does not constitute authorization of its use in any format or manner. CONNFLY may enforce its intellectual property rights at its own discretion; failures or delays to exercise such rights does not constitute a waiver of such rights.

| GENERAL TOLERANCE | | ANGLE TOLERANCE | |
|-------------------|----------------------|-----------------|--------|
| X. | ±0.60 | X. | ±5° |
| .X | ±0.38 | .X | ±3° |
| .XX | ±0.25 | .XX | ±2° |
| DRAWING TYPE | | CUSTOMER | |
| SCALE | 1:1 | SHEET | 3 OF 3 |
| DRAWING NO. | C-DS1110-74-XXXXXX-A | | |

| | | | |
|------------|----|--------|---|
| PROJECTION | | TITLE | 13mm Waterproof aviation plug (Solder type) |
| UNITS | mm | SERIES | DS1110-74 Series |
| SHEET SIZE | A4 | | |

晨翔电子有限公司
CONNFLY CONNFLY ELECTRONIC CO. LTD