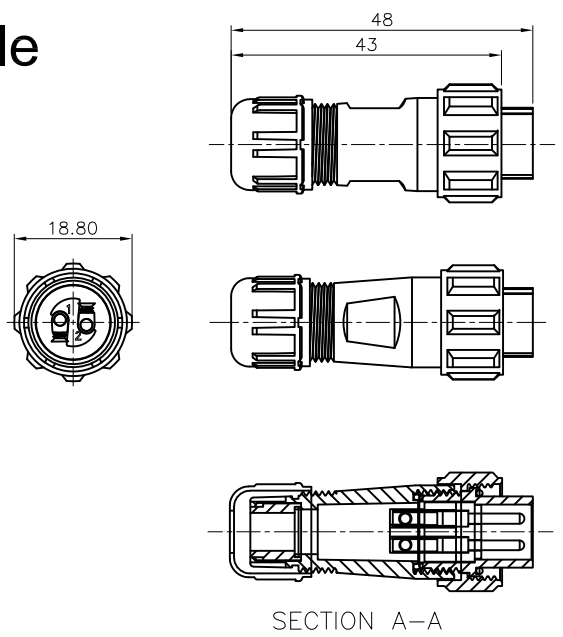
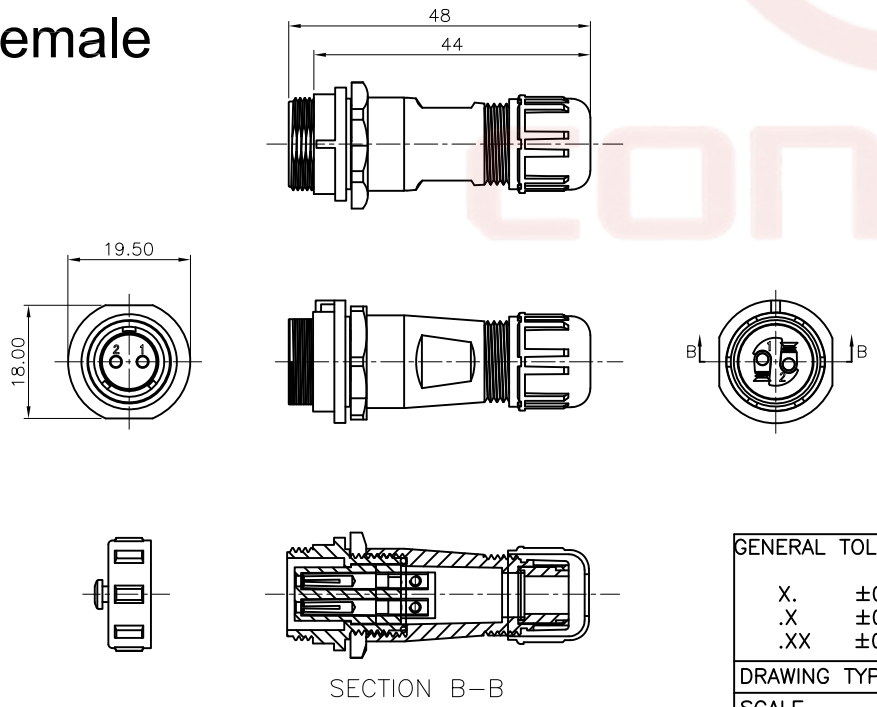


The information provided herein is from CONNFLY Electronic Co., Ltd. and is confidential. Any disclosure to a party other than the recipient is prohibited. The intellectual properties and its rights are reserved for CONNFLY. All intellectual properties provided herein are for reference purpose only and does not constitute authorization of its use in any format or manner. CONNFLY may enforce its intellectual property rights at its own discretion; failures or delays to exercise such rights does not constitute a waiver of such rights.

# Male



# Female



REV.	DESCRIPTION	DRAWN	CHECKED	APPROVED
A	NEW RELEASE	WPY 02/08/25'		

- NOTE:
- 1.Rated voltage:250V
  - 2.Rated current:16A
  - 3.Insulation resistance:2000MΩ
  - 4.Withstand voltage:1500V
  - 5.Operating temperature: -25°C to +85°C
  - 6.Wiring method: Screw locking
  - 7.Mating cycle: 500 cycles

- Materials:
- 1.Shell material: PPO,PA66,UL94V-0
  - 2.Insulation material: PPS  
High temperature resistance 260°C
  - 3.Contact material: Brass with gold plating

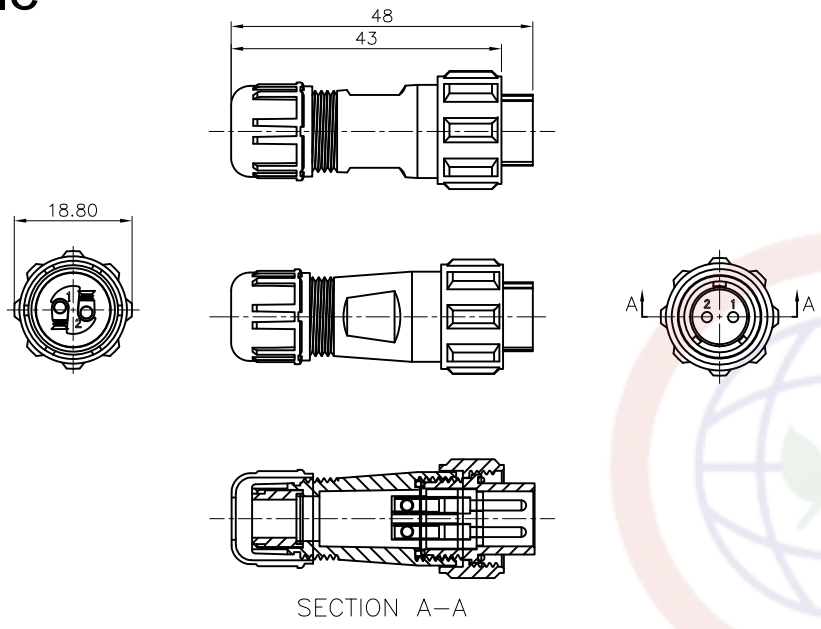
Product Number Code:  
DS1110-71-XXXXXX

- Install Type:  
A:Docking Type
- Cable diameter:  
1:4-6.5mm  
2:5-8mm
- Contact Plating:  
8:Gold flash
- Color of nut:  
L:blue
- Color of housing:  
B:Black
- No. of Contacts:  
02:2Pin 03:3Pin

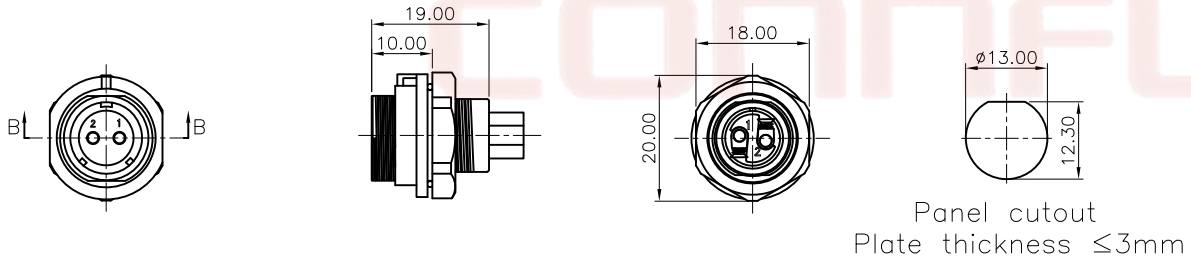
GENERAL TOLERANCE		ANGLE TOLERANCE		PROJECTION		TITLE	13mm Waterproof aviation plug (Screw type)
X.	±0.60	X.	±5°	UNITS	mm	SERIES	DS1110-71 Series
.X	±0.38	.X	±3°	SHEET SIZE	A4		
.XX	±0.25	.XX	±2°				
DRAWING TYPE		CUSTOMER		晨翔电子有限公司 <b>CONNFLY CONNFLY ELECTRONIC CO. LTD</b>			
SCALE		1:1	SHEET 1 OF 3				
DRAWING NO.		C-DS1110-71-XXXXXX-A					

The information provided herein is from CONNFLY Electronic Co., Ltd. and is confidential. Any disclosure to a party other than the recipient is prohibited. The intellectual properties and its rights of CONNFLY Electronic Co., Ltd. are reserved. All intellectual properties provided herein are for reference purposes only and does not constitute authorization of its use in any format or manner. CONNFLY may enforce its intellectual property rights at its own discretion; failures or delays to exercise such rights does not constitute a waiver of such rights.

# Male



# Female



REV.	DESCRIPTION	DRAWN	CHECKED	APPROVED
A	NEW RELEASE	WPY 02/08/25'		

NOTE:

- Rated voltage:250V
- Rated current:16A
- Insulation resistance:2000MΩ
- Withstand voltage:1500V
- Operating temperature: -25℃ to +85℃
- Wiring method: Screw locking
- Mating cycle: 500 cycles

Materials:

- Shell material: PPO,PA66,UL94V-0
- Insulation material: PPS  
High temperature resistance 260℃
- Contact material: Brass with gold plating

Product Number Code:  
DS1110-71-XXXXXX

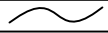
- Install Type:
- B:Rear nut type
- Cable diameter:
- 1:4-6.5mm
- 2:5-8mm
- Contact Plating:
- 8:Gold flash
- Color of nut:
- L:blue
- Color of housing:
- B:Black
- No. of Contacts:
- 02:2Pin 03:3Pin

GENERAL TOLERANCE		ANGLE TOLERANCE		PROJECTION		TITLE	13mm Waterproof aviation plug (Screw type)
X.	±0.60	X.	±5°	UNITS	mm	SERIES	DS1110-71 Series
.X	±0.38	.X	±3°				
.XX	±0.25	.XX	±2°				
DRAWING TYPE		CUSTOMER					
SCALE		1:1	SHEET	2 OF 3			
DRAWING NO.		C-DS1110-71-XXXXXX-A					

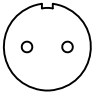

**晨翔电子有限公司**  
**CONNFLY CONNFLY ELECTRONIC CO. LTD**

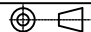

The information provided herein is from CONNFLY Electronic Co., Ltd. and is confidential. Any disclosure to a party other than the recipient is prohibited. The intellectual properties and its rights are reserved for CONNFLY Electronic Co., Ltd. All intellectual properties provided herein are for reference purpose only and does not constitute authorization of its use in any format or manner. CONNFLY may enforce its intellectual property rights at its own discretion; failures or delays to exercise such rights does not constitute a waiver of such rights.

1                      2                      3                      4                      5                      6                      7                      8

REV.	DESCRIPTION	DRAWN	CHECKED	APPROVED
A	NEW RELEASE	WPY 02/08/25'		

# Solder contact arrangement and spec

No.of Contacts	2	3
Malc contact face view		
Rated current (A)	16A	16A
Contact diameter	1.6*2	1.6*3
Wiring method	Screw locking	
Woring Voltage(AC.V)	250V	250V
Test Voltage(AC.V)1min	1500V	1500V
Contact resistance(mΩ)	2mΩ	2mΩ
Wire Size(mm <sup>2</sup> /AWG)	≤2/14	≤2/14

GENERAL TOLERANCE		ANGLE TOLERANCE		PROJECTION		TITLE	13mm Waterproof aviation plug (Screw type)
X.	±0.60	X.	±5°	UNITS	mm	SHEET SIZE	A4
.X	±0.38	.X	±3°	SHEET SIZE	A4	SERIES	DS1110-71 Series
.XX	±0.25	.XX	±2°	 <b>晨翔电子有限公司</b> <b>CONNFLY CONNFLY ELECTRONIC CO. LTD</b>			
DRAWING TYPE		CUSTOMER					
SCALE	1:1	SHEET	3 OF 3				
DRAWING NO.		C-DS1110-71-XXXXXX-A					

1                      2                      3                      4                      5                      6                      7                      8