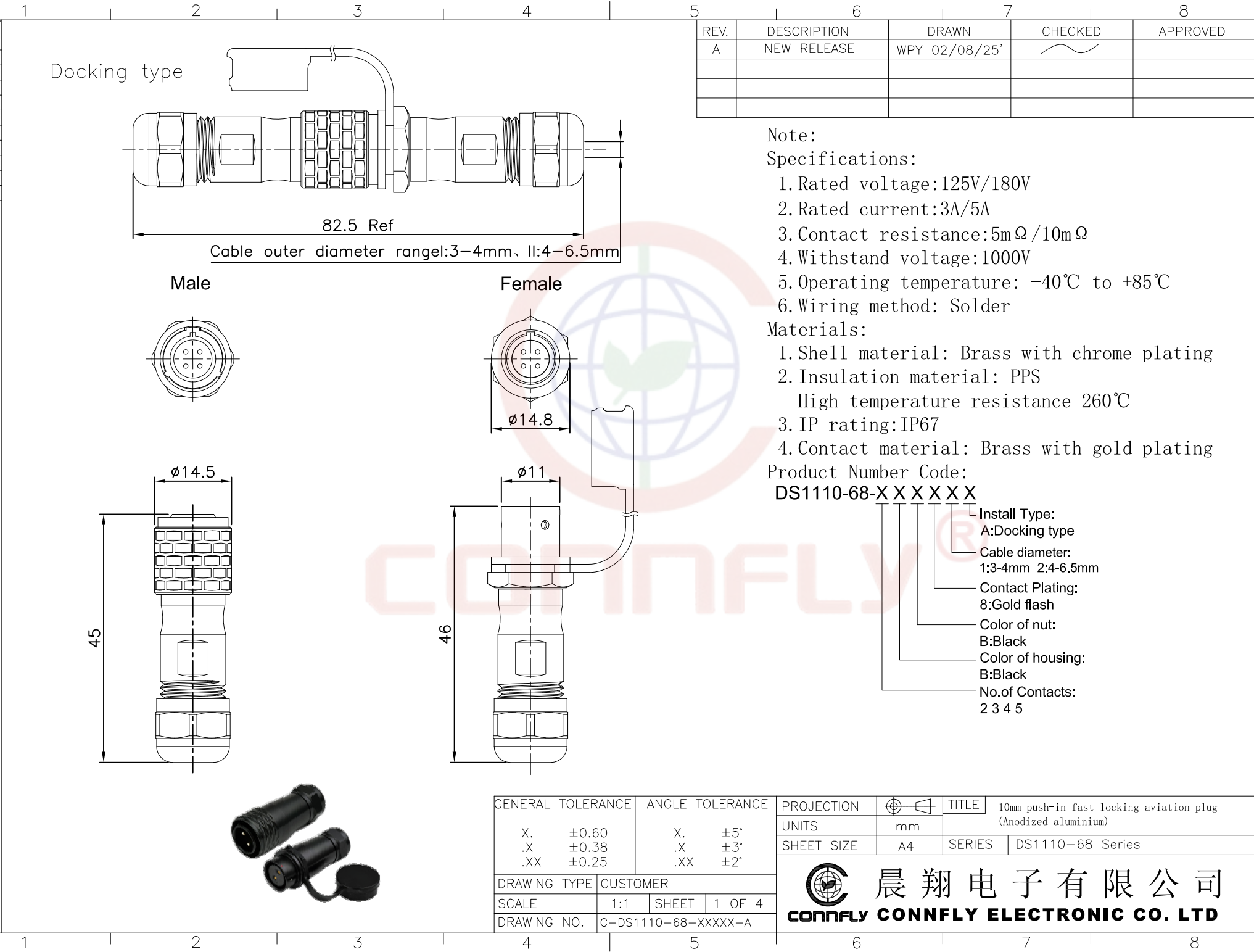


The information provided herein is from CONNPLY Electronic Co., Ltd. and is confidential. Any disclosure to a party other than the recipient is prohibited. The intellectual properties and its rights of CONNPLY Electronic Co., Ltd. are strictly protected. Any modification is strictly prohibited without prior written consent from CONNPLY. All intellectual properties provided herein are for reference purposes only and does not constitute authorization of its use in any format or manner. CONNPLY may enforce its intellectual property rights at its own discretion; failures or delays to exercise such rights does not constitute a waiver of such rights.



REV.	DESCRIPTION	DRAWN	CHECKED	APPROVED
A	NEW RELEASE	WPY 02/08/25'		

**Note:**

**Specifications:**

- Rated voltage: 125V/180V
- Rated current: 3A/5A
- Contact resistance: 5mΩ / 10mΩ
- Withstand voltage: 1000V
- Operating temperature: -40°C to +85°C
- Wiring method: Solder

**Materials:**

- Shell material: Brass with chrome plating
- Insulation material: PPS  
High temperature resistance 260°C
- IP rating: IP67
- Contact material: Brass with gold plating

**Product Number Code:**  
**DS1110-68-XXXXXX**

- Install Type:  
A: Docking type
- Cable diameter:  
1: 3-4mm 2: 4-6.5mm
- Contact Plating:  
8: Gold flash
- Color of nut:  
B: Black
- Color of housing:  
B: Black
- No. of Contacts:  
2 3 4 5

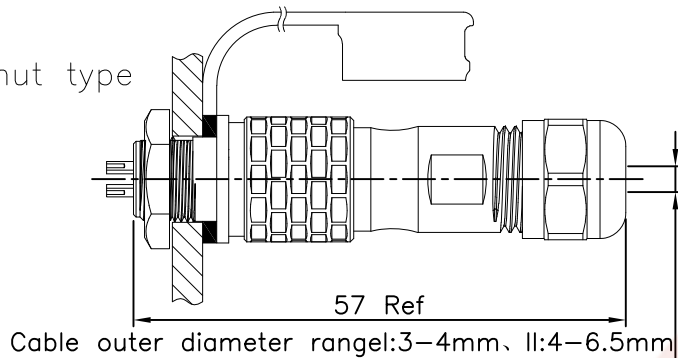
GENERAL TOLERANCE		ANGLE TOLERANCE		PROJECTION		TITLE	10mm push-in fast locking aviation plug (Anodized aluminium)	
X.	±0.60	X.	±5°	UNITS	mm	SHEET SIZE	A4	
.X	±0.38	.X	±3°	SHEET SIZE	A4	SERIES	DS1110-68 Series	
.XX	±0.25	.XX	±2°	DRAWING TYPE				
DRAWING TYPE		CUSTOMER		SCALE				1:1
SCALE		SHEET		DRAWING NO.				1 OF 4
DRAWING NO.		C-DS1110-68-XXXXX-A		<b>晨翔电子有限公司</b> <b>CONNPLY CONNPLY ELECTRONIC CO. LTD</b>				

The information provided herein is from CONNELY Electronic Co., Ltd. and is confidential. Any disclosure to a party other than the recipient is prohibited. The intellectual properties and its rights of CONNELY Electronic Co., Ltd. are strictly protected. All intellectual properties provided herein are for reference purposes only and does not constitute authorization of its use in any format or manner. CONNELY may enforce its intellectual property rights at its own discretion; failures or delays to exercise such rights does not constitute a waiver of such rights.

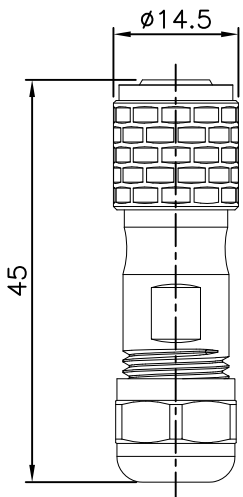
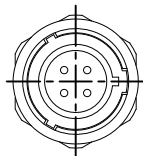
1 2 3 4 5 6 7 8

REV.	DESCRIPTION	DRAWN	CHECKED	APPROVED
A	NEW RELEASE	WPY 02/08/25'		

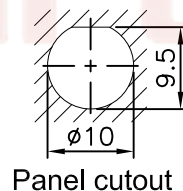
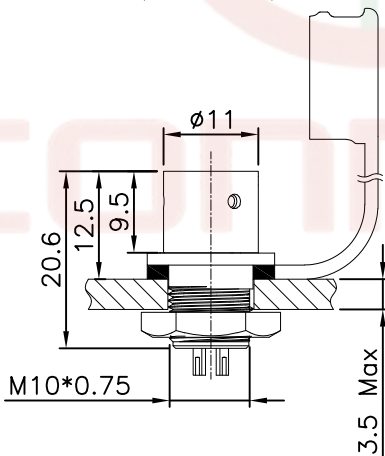
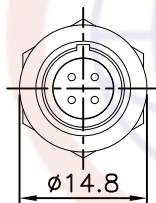
Rear nut type



Male



Female



Note:

Specifications:

1. Rated voltage: 125V/180V
2. Rated current: 3A/5A
3. Contact resistance: 5mΩ / 10mΩ
4. Withstand voltage: 1000V
5. Operating temperature: -40°C to +85°C
6. Wiring method: Solder

Materials:

1. Shell material: Brass with chrome plating
2. Insulation material: PPS  
High temperature resistance 260°C
3. IP rating: IP67
4. Contact material: Brass with gold plating

Product Number Code:

DS1110-68-X X X X X X

- Install Type:  
B: Rear nut type
- Cable diameter:  
1: 3-4mm 2: 4-6.5mm
- Contact Plating:  
8: Gold flash
- Color of nut:  
B: Black
- Color of housing:  
B: Black
- No. of Contacts:  
2 3 4 5



GENERAL TOLERANCE		ANGLE TOLERANCE	
X.	±0.60	X.	±5°
.X	±0.38	.X	±3°
.XX	±0.25	.XX	±2°

DRAWING TYPE	CUSTOMER		
SCALE	1:1	SHEET	2 OF 4
DRAWING NO.	C-DS1110-68-XXXXX-A		

PROJECTION		TITLE	10mm push-in fast locking aviation plug (Anodized aluminium)
UNITS	mm	SERIES	DS1110-68 Series

**晨翔电子有限公司**  
**CONNELY CONNELY ELECTRONIC CO. LTD**

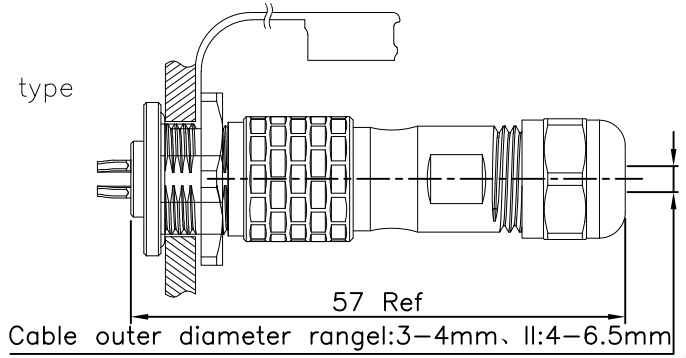
1 2 3 4 5 6 7 8

The information provided herein is from CONNFLY Electronic Co., Ltd. and is confidential. Any disclosure to a party other than the recipient is prohibited. The intellectual properties and its rights of CONNFLY Electronic Co., Ltd. are strictly protected. All intellectual properties provided herein are for reference purposes only and does not constitute authorization of its use in any format or manner. CONNFLY may enforce its intellectual property rights at its own discretion; failures or delays to exercise such rights does not constitute a waiver of such rights.

1 2 3 4 5 6 7 8

REV.	DESCRIPTION	DRAWN	CHECKED	APPROVED
A	NEW RELEASE	WPY 02/08/25'		

Front nut type



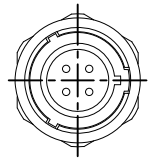
- Note:  
Specifications:
1. Rated voltage: 125V/180V
  2. Rated current: 3A/5A
  3. Contact resistance: 5mΩ / 10mΩ
  4. Withstand voltage: 1000V
  5. Operating temperature: -40°C to +85°C
  6. Wiring method: Solder

- Materials:
1. Shell material: Brass with chrome plating
  2. Insulation material: PPS  
High temperature resistance 260°C
  3. IP rating: IP67
  4. Contact material: Brass with gold plating

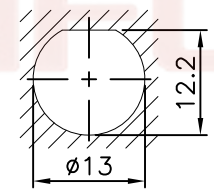
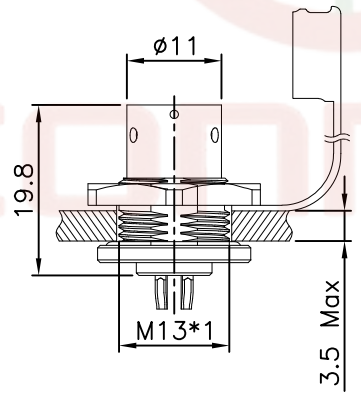
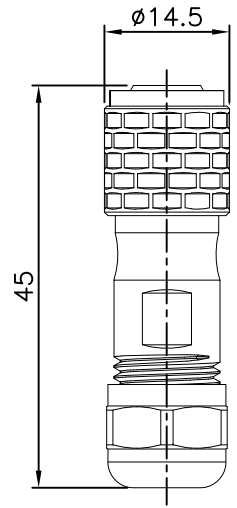
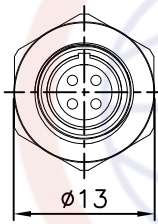
Product Number Code:  
DS1110-68-X X X X X X

- Install Type:  
C: Front nut type
- Cable diameter:  
1: 3-4mm 2: 4-6.5mm
- Contact Plating:  
8: Gold flash
- Color of shell:  
B: Black
- Color of housing:  
B: Black
- No. of Contacts:  
2 3 4 5

Male



Female



Panel cutout



GENERAL TOLERANCE		ANGLE TOLERANCE	
X.	±0.60	X.	±5°
.X	±0.38	.X	±3°
.XX	±0.25	.XX	±2°

DRAWING TYPE	CUSTOMER		
SCALE	1:1	SHEET	3 OF 4
DRAWING NO.	C-DS1110-68-XXXXX-A		

PROJECTION		TITLE	10mm push-in fast locking aviation plug (Anodized aluminium)
UNITS	mm	SERIES	DS1110-68 Series

晨翔电子有限公司  
CONNFLY CONNFLY ELECTRONIC CO. LTD

1 2 3 4 5 6 7 8

Dept  
Qty  
DC 1  
ED 1  
IE 1  
ISO 1  
PD 1  
R&D 1  
SD 1  
QA 1  
QC 1  
QE 1

REV.	DESCRIPTION	DRAWN	CHECKED	APPROVED
A	NEW RELEASE	WPY 02/08/25'		

# Solder contact arrangement and spec

No.of Contacts	2	3	4	5
Male contact face view				
Rated current (A)	5A	5A	3A	3A
Contact diameter(mm)	Ø1×2	Ø1×3	Ø0.7×4	Ø0.7×5
Rated Voltage (AC.V)	180	180	125	125
Test voltage(AC.V) 1 min	1000	1000	1000	1000
Contact resistance(mΩ)	5	5	10	10
Wiring method(mm <sup>2</sup> /AWG)	≤0.75/18	≤0.75/18	≤0.5/20	≤0.5/20

The information provided herein is from CONNFLY Electronic Co., Ltd. and is confidential. Any disclosure to a party other than the recipient is prohibited. The intellectual properties and its rights of CONNFLY Electronic Co., Ltd. are strictly protected. All intellectual properties provided herein are for reference purposes only and does not constitute authorization of its use in any format or manner. CONNFLY may enforce its intellectual property rights at its own discretion; failures or delays to exercise such rights does not constitute a waiver of such rights.

GENERAL TOLERANCE		ANGLE TOLERANCE	
X.	±0.60	X.	±5°
.X	±0.38	.X	±3°
.XX	±0.25	.XX	±2°
DRAWING TYPE		CUSTOMER	
SCALE	1:1	SHEET	4 OF 4
DRAWING NO.	C-DS1110-68-XXXXX-A		

PROJECTION		TITLE	10mm push-in fast locking aviation plug (Anodized aluminium)
UNITS	mm	SHEET	4
SHEET SIZE	A4	SERIES	DS1110-68 Series

晨翔电子有限公司  
CONNFLY CONNFLY ELECTRONIC CO. LTD