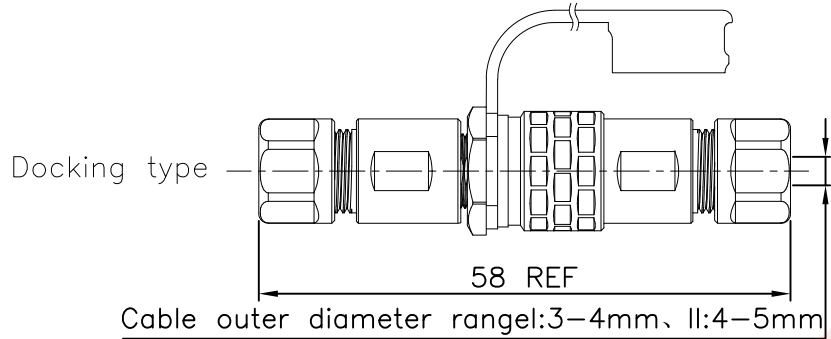


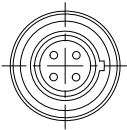
Dept	
Qty	
DC	1
ED	1
IE	1
ISO	1
PD	1
R&D	1
SD	1
QA	1
QC	1
QE	1

The information provided herein is from CONNFLY Electronic Co., Ltd. and is confidential. Any disclosure to a party other than the recipient is prohibited. The intellectual properties and its rights of CONNFLY Electronic Co., Ltd. are strictly protected. All intellectual properties provided herein are for reference purposes only and does not constitute authorization of its use in any format or manner. CONNFLY may enforce its intellectual property rights at its own discretion; failures or delays to exercise such rights does not constitute a waiver of such rights.

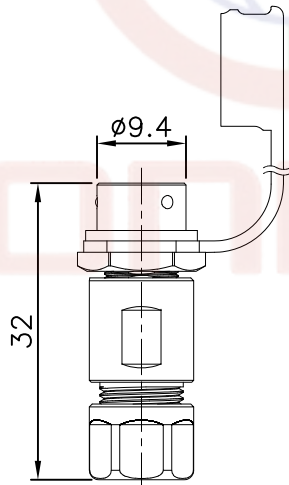
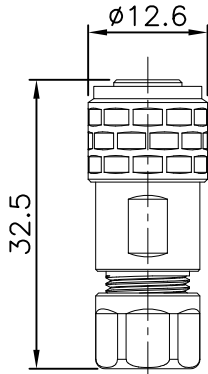
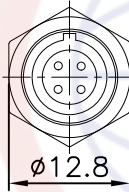
REV.	DESCRIPTION	DRAWN	CHECKED	APPROVED
A	NEW RELEASE	WPY 02/08/25'		



Male



Female



Note:

Specifications:

1. Rated voltage: 30V/125V
2. Rated current: 3A/5A
3. Contact resistance: 5mΩ / 10mΩ
4. Withstand voltage: 500V-1000V
5. Operating temperature: -40°C to +85°C
6. Wiring method: Solder

Materials:

1. Shell material: Brass with chrome plating
2. Insulation material: PPS  
High temperature resistance 260°C
3. IP rating: IP67
4. Contact material: Brass with gold plating

Product Number Code:

DS1110-63-XXXXXX

Install Type:

- A: Docking type
- Cable diameter:  
1: 3-4mm 2: 4-5mm
- Contact Plating:  
8: Gold flash
- Color of shell:  
S: Silvery
- Color of housing:  
B: Black
- No. of Contacts:  
2 3 4 6 8

GENERAL TOLERANCE		ANGLE TOLERANCE	
X.	±0.60	X.	±5°
.X	±0.38	.X	±3°
.XX	±0.25	.XX	±2°

PROJECTION		TITLE	8mm push-in fast locking aviation plug (Copper chrome plating)
UNITS	mm	SERIES	DS1110-63 Series
SHEET SIZE	A4		

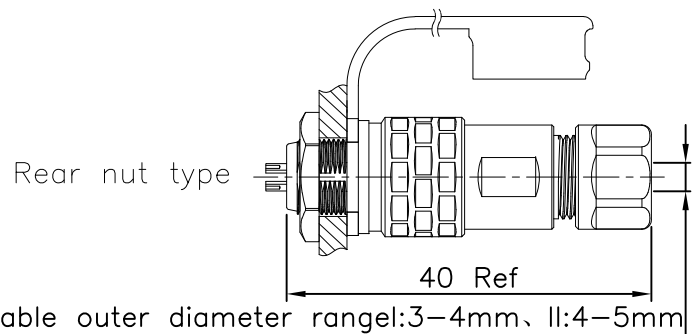
DRAWING TYPE	CUSTOMER		
SCALE	1:1	SHEET	1 OF 4
DRAWING NO.	C-DS1110-63-XXXXXX-A		

晨翔电子有限公司  
CONNFLY CONNFLY ELECTRONIC CO. LTD

The information provided herein is from CONNELY Electronic Co., Ltd. and is confidential. Any disclosure to a party other than the recipient is prohibited. The intellectual properties and its rights of CONNELY Electronic Co., Ltd. are strictly protected. All intellectual properties provided herein are for reference purposes only and does not constitute authorization of its use in any format or manner. CONNELY may enforce its intellectual property rights at its own discretion; failures or delays to exercise such rights does not constitute a waiver of such rights.

1 2 3 4 5 6 7 8

REV.	DESCRIPTION	DRAWN	CHECKED	APPROVED
A	NEW RELEASE	WPY 02/08/25'		

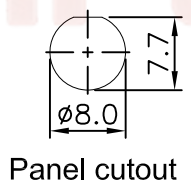
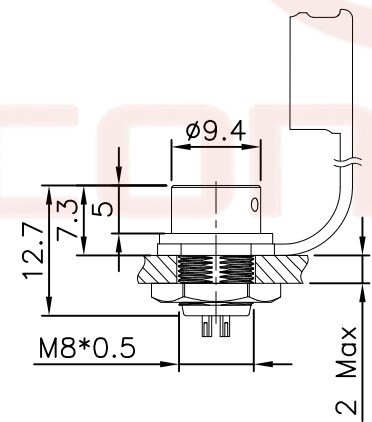
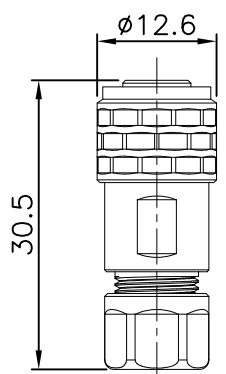
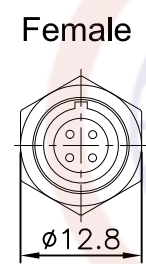
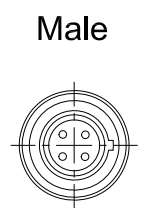


Note:  
 Specifications:  
 1. Rated voltage: 30V/125V  
 2. Rated current: 3A/5A  
 3. Contact resistance: 5mΩ / 10mΩ  
 4. Withstand voltage: 500V-1000V  
 5. Operating temperature: -40°C to +85°C  
 6. Wiring method: Solder

Materials:  
 1. Shell material: Brass with chrome plating  
 2. Insulation material: PPS  
 High temperature resistance 260°C  
 3. IP rating: IP67  
 4. Contact material: Brass with gold plating

Product Number Code:  
 DS1110-63-XXXXXX

- Install Type:  
B: Rear nut type
- Cable diameter:  
1: 3-4mm 2: 4-5mm
- Contact Plating:  
8: Gold flash
- Color of shell:  
S: Silvery
- Color of housing:  
B: Black
- No. of Contacts:  
2 3 4 6 8



GENERAL TOLERANCE		ANGLE TOLERANCE	
X.	±0.60	X.	±5°
.X	±0.38	.X	±3°
.XX	±0.25	.XX	±2°

PROJECTION		TITLE	8mm push-in fast locking aviation plug (Copper chrome plating)
UNITS	mm	SERIES	DS1110-63 Series

DRAWING TYPE	CUSTOMER		
SCALE	1:1	SHEET	2 OF 4
DRAWING NO.	C-DS1110-63-XXXXXX-A		

晨翔电子有限公司  
**CONNELY CONNELY ELECTRONIC CO. LTD**

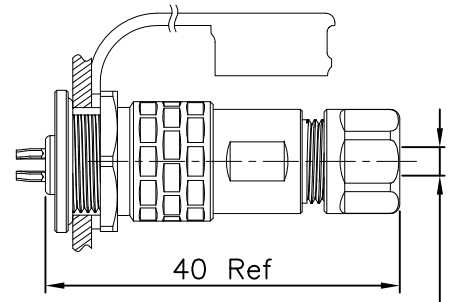
1 2 3 4 5 6 7 8

The information provided herein is from CONNELY Electronic Co., Ltd. and is confidential. Any disclosure to a party other than the recipient is prohibited. The intellectual properties and its rights of CONNELY Electronic Co., Ltd. are strictly protected. All intellectual properties provided herein are for reference purposes only and does not constitute authorization of its use in any format or manner. CONNELY may enforce its intellectual property rights at its own discretion; failures or delays to exercise such rights does not constitute a waiver of such rights.

1 2 3 4 5 6 7 8

REV.	DESCRIPTION	DRAWN	CHECKED	APPROVED
A	NEW RELEASE	WPY 02/08/25'		

Front nut type



Cable outer diameter rangel:3-4mm、ll:4-5mm

Note:

Specifications:

1. Rated voltage:30V/125V
2. Rated current:3A/5A
3. Contact resistance:5mΩ /10mΩ
4. Withstand voltage:500V-1000V
5. Operating temperature: -40°C to +85°C
6. Wiring method: Solder

Materials:

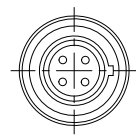
1. Shell material: Brass with chrome plating
2. Insulation material: PPS  
High temperature resistance 260°C
3. IP rating:IP67
4. Contact material: Brass with gold plating

Product Number Code:

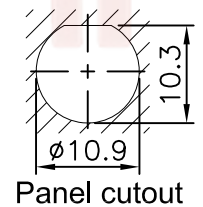
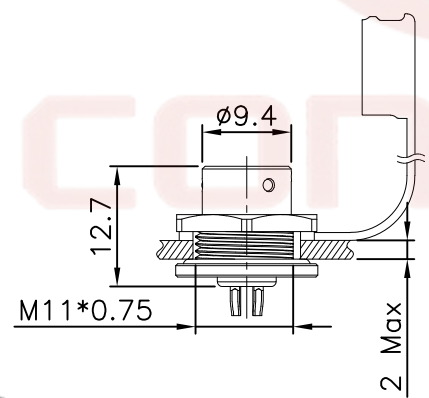
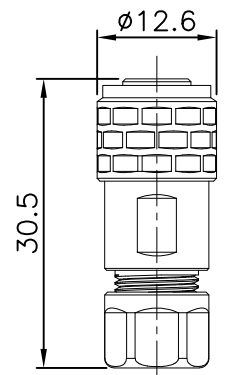
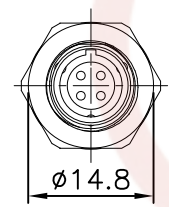
DS1110-63-X X X X X X

- Install Type:  
C:Front nut type  
Cable diameter:  
1:3-4mm 2:4-5mm  
Contact Plating:  
8:Gold flash  
Color of shell:  
S:Silvery  
Color of housing:  
B:Black  
No.of Contacts:  
2 3 4 6 8

Male



Female



GENERAL TOLERANCE		ANGLE TOLERANCE	
X.	±0.60	X.	±5°
.X	±0.38	.X	±3°
.XX	±0.25	.XX	±2°

DRAWING TYPE	CUSTOMER		
SCALE	1:1	SHEET	3 OF 4
DRAWING NO.	C-DS1110-63-XXXXXX-A		

PROJECTION		TITLE	8mm push-in fast locking aviation plug (Copper chrome plating)
UNITS	mm	SERIES	DS1110-63 Series

晨翔电子有限公司  
CONNELY CONNELY ELECTRONIC CO. LTD

1 2 3 4 5 6 7 8

Dept  
Qty

DC 1  
ED 1  
IE 1  
ISO 1  
PD 1  
R&D 1  
SD 1  
QA 1  
QC 1  
QE 1

The information provided herein is from CONNFLY Electronic Co., Ltd. and is confidential. Any disclosure to a party other than the recipient is prohibited. The intellectual properties and its rights of CONNFLY Electronic Co., Ltd. are strictly protected. All intellectual properties provided herein are for reference purposes only and does not constitute authorization of its use in any format or manner. CONNFLY may enforce its intellectual property rights at its own discretion; failures or delays to exercise such rights does not constitute a waiver of such rights.

REV.	DESCRIPTION	DRAWN	CHECKED	APPROVED
A	NEW RELEASE	WPY 02/08/25'		

# Solder contact arrangement and spec

No.of Contacts	2	3	4	6	8
Male contact face view					
Rated current (A)	5	5	3	3	3
Contact diameter(mm)	Ø1×2	Ø1×3	Ø0.6×4	Ø0.6×5	Ø0.6×8
Rated Voltage (AC.V)	125	125	30	30	30
Test voltage(AC.V) 1 min	1000	1000	500	500	500
Contact resistance(mΩ)	5	5	10	10	10
Wiring method(mm <sup>2</sup> /AWG)	≤0.75/18	≤0.75/18	≤0.5/20	≤0.5/20	≤0.5/20

GENERAL TOLERANCE		ANGLE TOLERANCE		PROJECTION		TITLE	8mm push-in fast locking aviation plug (Copper chrome plating)		
X.	±0.60	X.	±5°	UNITS	mm	SHEET SIZE	A4		
.X	±0.38	.X	±3°	SHEET SIZE	A4	SERIES	DS1110-63 Series		
.XX	±0.25	.XX	±2°	<b>晨翔电子有限公司</b> <b>CONNFLY CONNFLY ELECTRONIC CO. LTD</b>					
DRAWING TYPE		CUSTOMER							
SCALE	1:1	SHEET	4 OF 4						
DRAWING NO.		C-DS1110-63-XXXXXX-A							