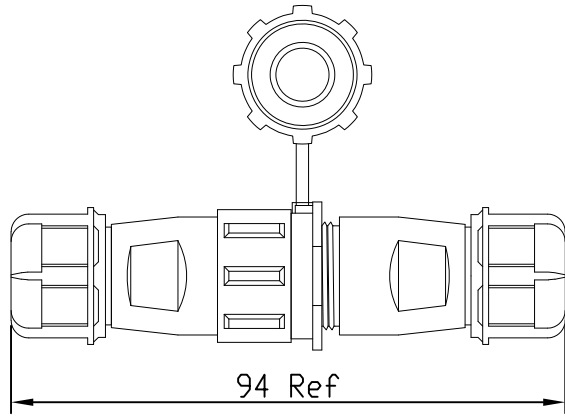


The information provided herein is from CONNFLY Electronic Co., Ltd. and is confidential. Any disclosure to a party other than the recipient is prohibited. The intellectual properties and its rights of CONNFLY Electronic Co., Ltd. are reserved. All intellectual properties provided herein are for reference purposes only and does not constitute authorization of its use in any format or manner. CONNFLY may enforce its intellectual property rights at its own discretion; failures or delays to exercise such rights does not constitute a waiver of such rights.

1                      2                      3                      4                      5                      6                      7                      8

REV.	DESCRIPTION	DRAWN	CHECKED	APPROVED
A	NEW RELEASE	WPY 10/08/24'		

# Assembly



Suitable for  $\phi 7-10$  wires

Note:

1. Rated voltage: 400V-500V
2. Rated current: 5A-10A
3. Insulation resistance: 2000M $\Omega$
4. Withstand voltage: 1200V-1500V
5. Operating temperature: -30°C to +90°C
6. Wiring method: Welding

Materials:

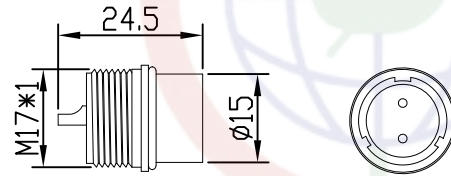
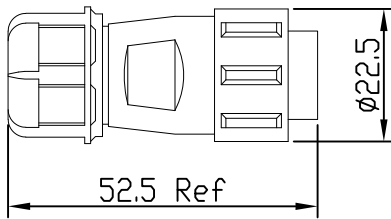
1. Shell material: PA66
2. Insulation material: PPS  
High temperature resistance 260°C
3. Contact material: Copper gold plating

Product Number Code:

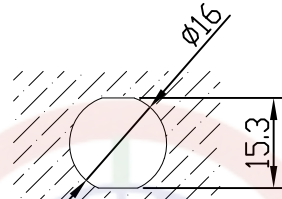
**DS1110-57-X X X X X**

- Install Type
- A: A Type
- Contact Plating
- 8: Gold flash
- Color of nut
- U: Blue
- Color of housing
- B: Black
- No. of Contacts
- 2 3 4 5 7 9 10

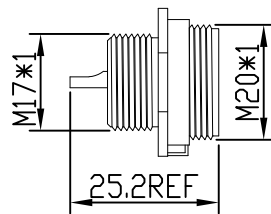
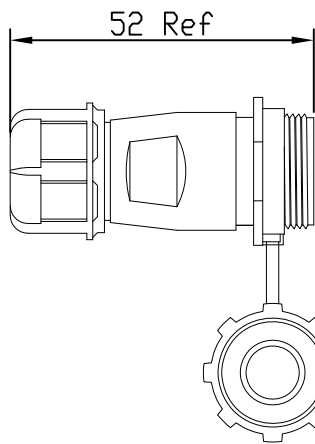
# Male



Suggested Panel Opening



# Female



GENERAL TOLERANCE		ANGLE TOLERANCE		PROJECTION	TITLE
X.	$\pm 0.60$	X.	$\pm 5^\circ$		$\phi 17$ waterproof aviation plug
.X	$\pm 0.38$	.X	$\pm 3^\circ$	mm	docking type
.XX	$\pm 0.25$	.XX	$\pm 2^\circ$	A4	SERIES DS1110-57 Series
DRAWING TYPE		CUSTOMER		<b>晨翔电子有限公司</b> <b>CONNFLY CONNFLY ELECTRONIC CO. LTD</b>	
SCALE		SHEET			
DRAWING NO.		1 OF 5			
C-DS1110-57-XXXXX-A					

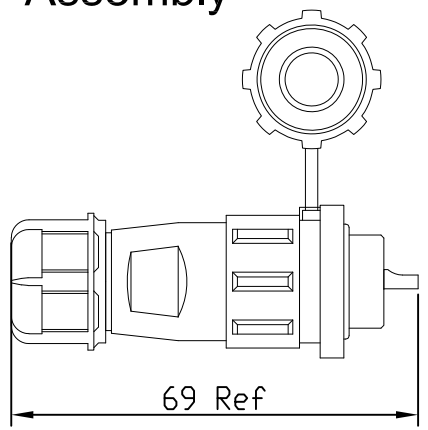
1                      2                      3                      4                      5                      6                      7                      8

The information provided herein is from CONNFLY Electronic Co., Ltd. and is confidential. Any disclosure to a party other than the recipient is prohibited. The intellectual properties and its rights of CONNFLY Electronic Co., Ltd. are reserved. All intellectual properties provided herein are for reference purposes only and does not constitute authorization of its use in any format or manner. CONNFLY may enforce its intellectual property rights at its own discretion; failures or delays to exercise such rights does not constitute a waiver of such rights.

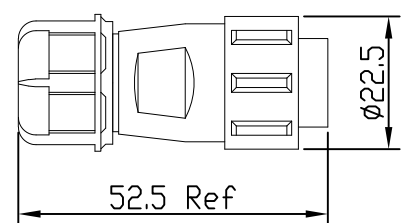
1 2 3 4 5 6 7 8

REV.	DESCRIPTION	DRAWN	CHECKED	APPROVED
A	NEW RELEASE	WPY 10/08/24'		

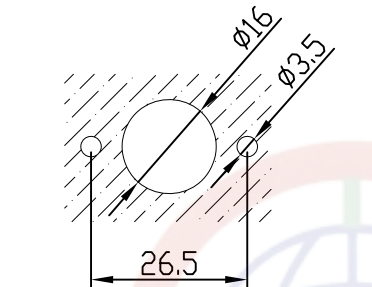
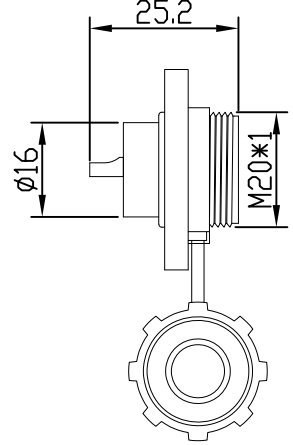
# Assembly



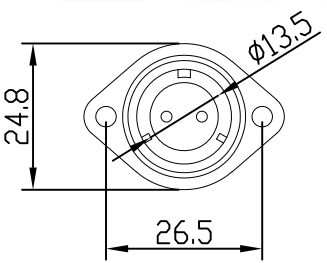
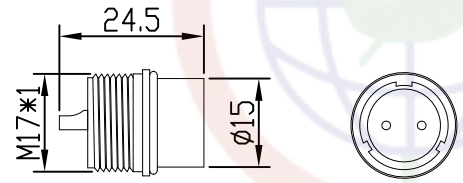
# Male



# Female



Suggested Panel Opening



Suitable for  $\phi 7-10$  wires

Note:

1. Rated voltage: 400V-500V
2. Rated current: 5A-10A
3. Insulation resistance: 2000M $\Omega$
4. Withstand voltage: 1200V-1500V
5. Operating temperature: -30°C to +90°C
6. Wiring method: Welding

Materials:

1. Shell material: PA66
2. Insulation material: PPS  
High temperature resistance 260°C
3. Contact material: Copper gold plating

Product Number Code:

DS1110-57-X X X X X

- Install Type
- B:B Type
- Contact Plating
- 8:Gold flash
- Color of nut
- U:Blue
- Color of housing
- B:Black
- No.of Contacts
- 2 3 4 5 7 9 10

GENERAL TOLERANCE		ANGLE TOLERANCE		PROJECTION		TITLE	$\phi 17$ waterproof aviation plug flange type
X.	$\pm 0.60$	X.	$\pm 5^\circ$	UNITS	mm	SERIES	DS1110-57 Series
.X	$\pm 0.38$	.X	$\pm 3^\circ$	SHEET SIZE	A4		
.XX	$\pm 0.25$	.XX	$\pm 2^\circ$				
DRAWING TYPE		CUSTOMER		晨翔电子有限公司 <b>CONNFLY CONNFLY ELECTRONIC CO. LTD</b>			
SCALE		1:1					
DRAWING NO.		C-DS1110-57-XXXXX-A					

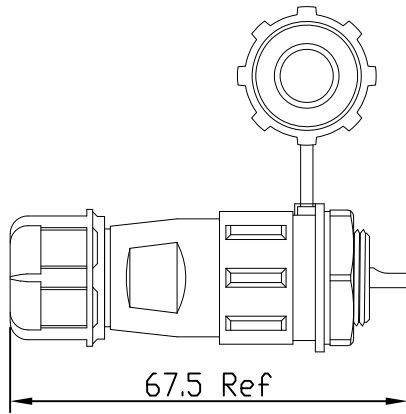
1 2 3 4 5 6 7 8

The information provided herein is from CONNFLY Electronic Co., Ltd. and is confidential. Any disclosure to a party other than the recipient is prohibited. The intellectual properties and its rights are strictly prohibited without prior written consent from CONNFLY. All intellectual properties provided herein are for reference purposes only and does not constitute authorization of its use in any format or manner. CONNFLY may enforce its intellectual property rights at its own discretion; failures or delays to exercise such rights does not constitute a waiver of such rights.

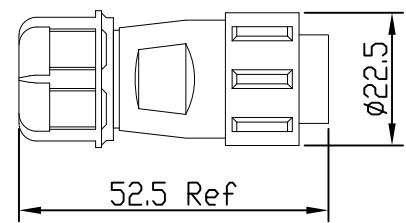
1 2 3 4 5 6 7 8

REV.	DESCRIPTION	DRAWN	CHECKED	APPROVED
A	NEW RELEASE	WPY 10/08/24'		

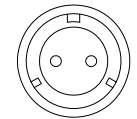
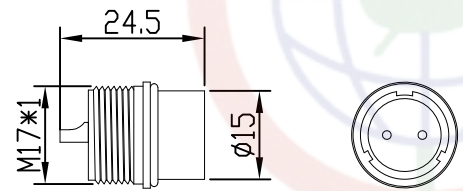
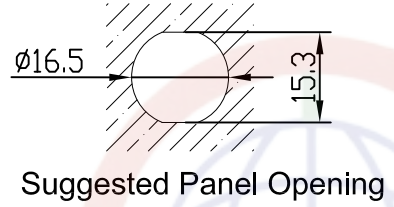
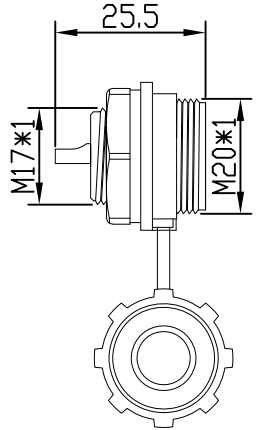
# Assembly



# Male



# Famale



Suitable for  $\phi 7-10$  wires

Note:

1. Rated voltage: 400V-500V
2. Rated current: 5A-10A
3. Insulation resistance: 2000M $\Omega$
4. Withstand voltage: 1200V-1500V
5. Operating temperature: -30°C to +90°C
6. Wiring method: Welding

Materials:

1. Shell material: PA66
2. Insulation material: PPS  
High temperature resistance 260°C
3. Contact material: Copper gold plating

Product Number Code:

DS1110-57-X X X X X

- Install Type
- C:C Type
- Contact Plating
- 8:Gold flash
- Color of nut
- U:Blue
- Color of housing
- B:Black
- No.of Contacts
- 2 3 4 5 7 9 10



GENERAL TOLERANCE		ANGLE TOLERANCE		PROJECTION		TITLE	$\phi 17$ waterproof aviation plug rear nut type
X.	$\pm 0.60$	X.	$\pm 5^\circ$	UNITS	mm	SERIES	DS1110-57 Series
.X	$\pm 0.38$	.X	$\pm 3^\circ$	SHEET SIZE	A4		
.XX	$\pm 0.25$	.XX	$\pm 2^\circ$				
DRAWING TYPE		CUSTOMER		晨翔电子有限公司 <b>CONNFLY CONNFLY ELECTRONIC CO. LTD</b>			
SCALE	1:1	SHEET	3 OF 5				
DRAWING NO.	C-DS1110-57-XXXXX-A						

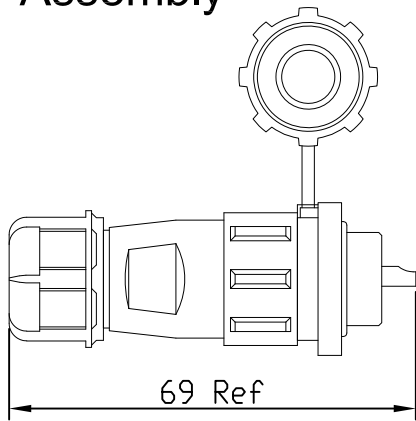
1 2 3 4 5 6 7 8

The information provided herein is from CONNFLY Electronic Co., Ltd. and is confidential. Any disclosure to a party other than the recipient is prohibited. The intellectual properties and its rights of CONNFLY Electronic Co., Ltd. are strictly protected. All intellectual properties provided herein are for reference purposes only and does not constitute authorization of its use in any format or manner. CONNFLY may enforce its intellectual property rights at its own discretion; failures or delays to exercise such rights does not constitute a waiver of such rights.

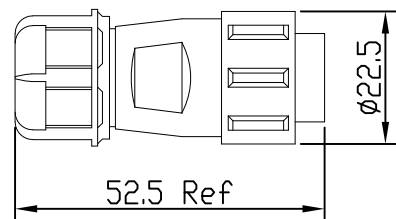
1 2 3 4 5 6 7 8

REV.	DESCRIPTION	DRAWN	CHECKED	APPROVED
A	NEW RELEASE	WPY 10/08/24'		

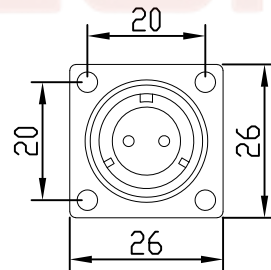
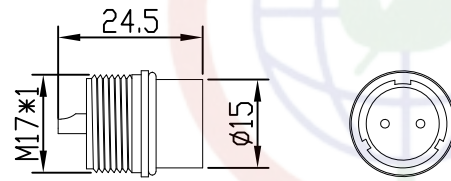
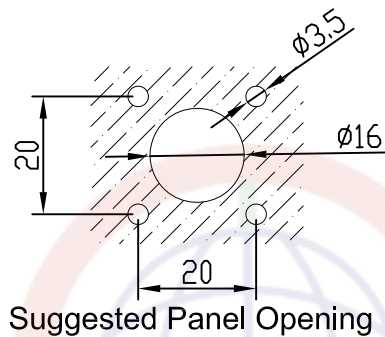
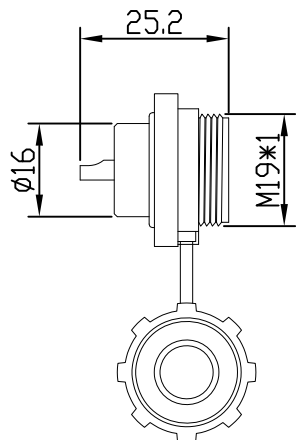
# Assembly



# Male



# Female



Suitable for  $\phi 7-10$  wires

Note:

1. Rated voltage: 400V-500V
2. Rated current: 5A-10A
3. Insulation resistance: 2000M $\Omega$
4. Withstand voltage: 1200V-1500V
5. Operating temperature: -30°C to +90°C
6. Wiring method: Welding

Materials:

1. Shell material: PA66
2. Insulation material: PPS  
High temperature resistance 260°C
3. Contact material: Copper gold plating

Product Number Code:

DS1110-57-X X X X X

- Install Type
- D:D Type
- Contact Plating
- 8:Gold flash
- Color of nut
- U:Blue
- Color of housing
- B:Black
- No.of Contacts
- 2 3 4 5 7 9 10

GENERAL TOLERANCE		ANGLE TOLERANCE		PROJECTION	TITLE
X.	$\pm 0.60$	X.	$\pm 5^\circ$		$\phi 17$ waterproof aviation plug
.X	$\pm 0.38$	.X	$\pm 3^\circ$	mm	square disc type
.XX	$\pm 0.25$	.XX	$\pm 2^\circ$	A4	SERIES DS1110-57 Series
DRAWING TYPE		CUSTOMER		晨翔电子有限公司 <b>CONNFLY CONNFLY ELECTRONIC CO. LTD</b>	
SCALE		1:1	SHEET 4 OF 5		
DRAWING NO.		C-DS1110-57-XXXXX-A			

1 2 3 4 5 6 7 8

Dept	
Qty	
DC	1
ED	1
IE	1
ISO	1
PD	1
R&D	1
SD	1
QA	1
QC	1
QE	1

REV.	DESCRIPTION	DRAWN	CHECKED	APPROVED
A	NEW RELEASE	WPY 10/08/24'		

# Solder contact arrangement and spec

No.of Contacts	2	3	4	5	7	9	10
Male contact face view							
Rated current (A)	10A	10A	5A	5A	5A	5A	3A
Contact diameter	Ø1.5×2	Ø1.5×3	Ø1×4	Ø1×5	Ø1×7	Ø1×9	Ø1×10
Wiring method	Welding						
Working Voltage (AC.V)	400V	400V	400V	300V	300V	300V	300V
Test voltage (AC.V)	1500V	1500V	1500V	1200V	1200V	1200V	1200V
Contact resistance (mΩ)	2.5mΩ	2.5mΩ	5mΩ	5mΩ	5mΩ	5mΩ	5mΩ
Wire Size (mm <sup>2</sup> /AWG)	≤2/14	≤2/14	≤0.785/18	≤0.785/18	≤0.785/18	≤0.785/18	≤0.785/18

The information provided herein is from CONNPLY Electronic Co., Ltd. and is confidential. Any disclosure to a party other than the recipient is prohibited. The intellectual properties and its rights of CONNPLY Electronic Co., Ltd. are strictly protected without prior written consent from CONNPLY. All intellectual properties provided herein are for reference purposes only and does not constitute authorization of its use in any format or manner. CONNPLY may enforce its intellectual property rights at its own discretion; failures or delays to exercise such rights does not constitute a waiver of such rights.

GENERAL TOLERANCE		ANGLE TOLERANCE	
X.	±0.60	X.	±5°
.X	±0.38	.X	±3°
.XX	±0.25	.XX	±2°
DRAWING TYPE		CUSTOMER	
SCALE	1:1	SHEET	5 OF 5
DRAWING NO.	C-DS1110-57-XXXX-A		

PROJECTION		TITLE	Ø17 Waterproof aviation plug solder series
UNITS	mm	SERIES	DS1110-57 Series
SHEET SIZE	A4		

**晨翔电子有限公司**  
**CONNPLY CONNPLY ELECTRONIC CO. LTD**