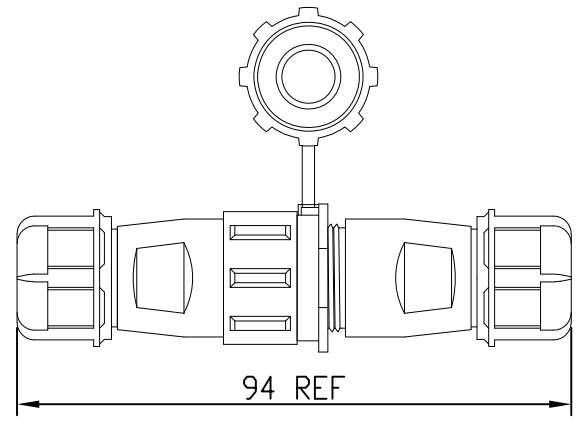


The information provided herein is from CONNFLY Electronic Co., Ltd. and is confidential. Any disclosure to a party other than the recipient is prohibited. The intellectual properties and its rights of CONNFLY Electronic Co., Ltd. are strictly protected. Any modification is strictly prohibited without prior written consent from CONNFLY. All intellectual properties provided herein are for reference purposes only and does not constitute authorization of its use in any format or manner. CONNFLY may enforce its intellectual property rights at its own discretion; failures or delays to exercise such rights does not constitute a waiver of such rights.

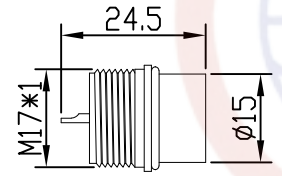
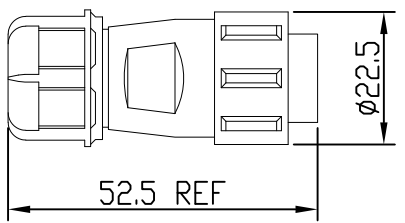
1 2 3 4 5 6 7 8

REV.	DESCRIPTION	DRAWN	CHECKED	APPROVED
A	NEW RELEASE	WPY 10/08/24'		

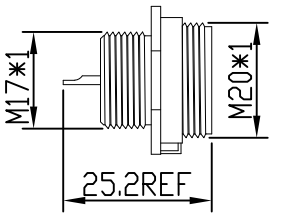
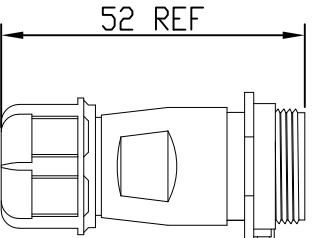
Assembly



Male



Female



Suitable for $\phi 7-10$ wires

Note:

1. Rated voltage: 400V-500V
2. Rated current: 5A-10A
3. Insulation resistance: 2000M Ω
4. Withstand voltage: 1200V-1500V
5. Operating temperature: -30°C to +90°C
6. Wiring method: Welding

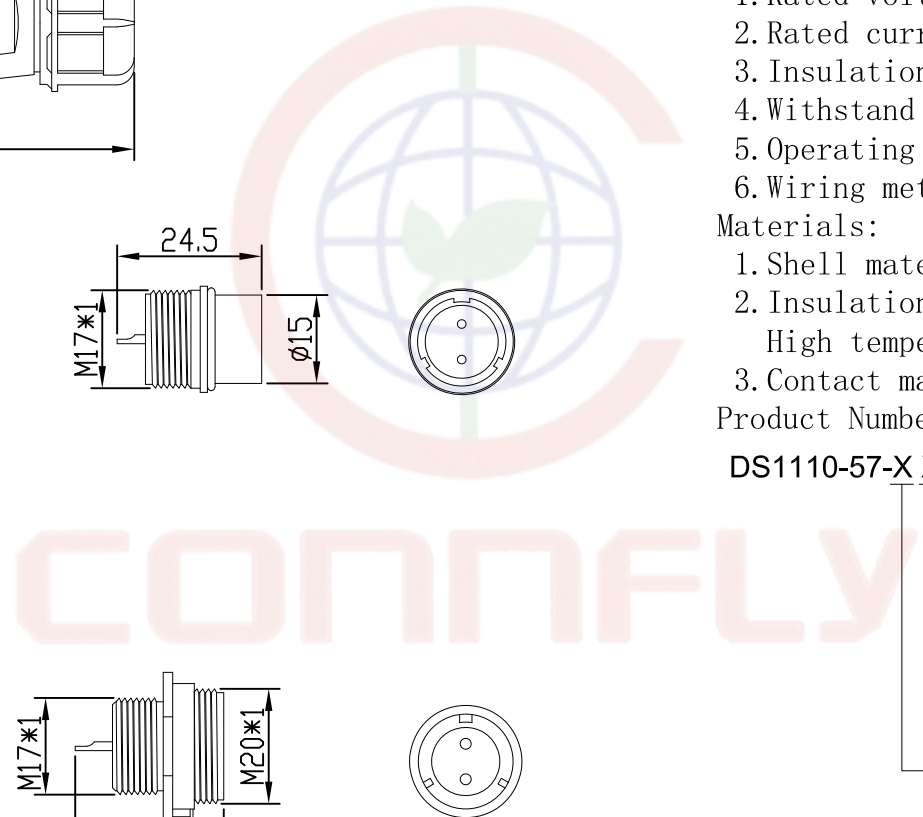
Materials:

1. Shell material: PA66
2. Insulation material: PPS
High temperature resistance 260°C
3. Contact material: Copper gold plating

Product Number Code:

DS1110-57-X X X X X

- Install Type
A:A Type
- Contact Plating
8:Gold flash
- Color of nut
U:Blue
- Color of housing
B:Black
- No.of Contacts
2 3 4 5 7 9 10



GENERAL TOLERANCE		ANGLE TOLERANCE	
X.	±0.60	X.	±5°
.X	±0.38	.X	±3°
.XX	±0.25	.XX	±2°

PROJECTION		TITLE	$\phi 17$ waterproof aviation plug docking type
UNITS	mm	SERIES	DS1110-57 Series

DRAWING TYPE	CUSTOMER		
SCALE	1:1	SHEET	1 OF 1
DRAWING NO.	C-DS1110-57-XXXXX-A		

晨翔电子有限公司

CONNFLY CONNFLY ELECTRONIC CO. LTD

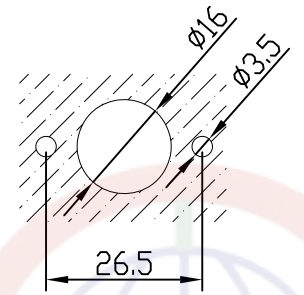
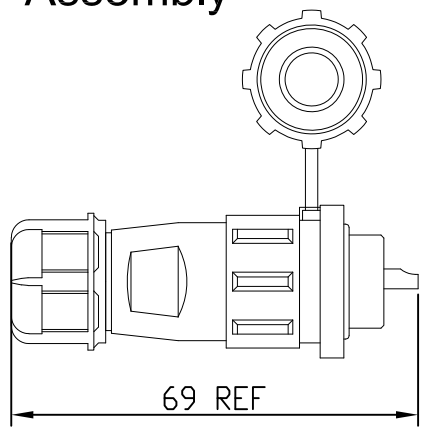
1 2 3 4 5 6 7 8

The information provided herein is from CONNFLY Electronic Co., Ltd. and is confidential. Any disclosure to a party other than the recipient is prohibited. The intellectual properties and its rights of CONNFLY Electronic Co., Ltd. are reserved. All intellectual properties provided herein are for reference purposes only and does not constitute authorization of its use or modification. CONNFLY may enforce its intellectual property rights at its own discretion; failures or delays to exercise such rights does not constitute a waiver of such rights.

1 2 3 4 5 6 7 8

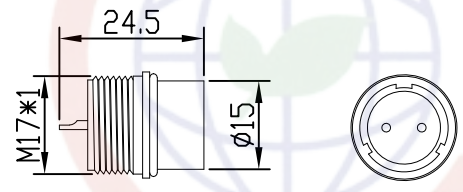
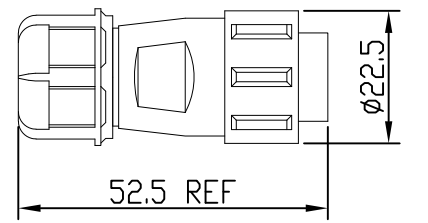
REV.	DESCRIPTION	DRAWN	CHECKED	APPROVED
A	NEW RELEASE	WPY 10/08/24'		

Assembly

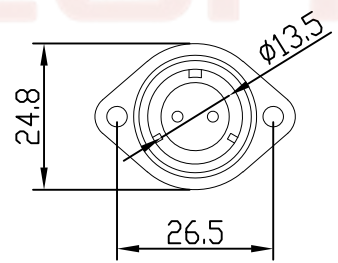
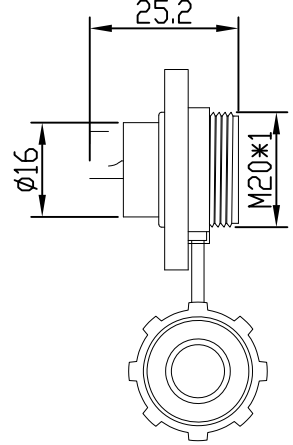


Suggested Panel Opening

Male



Female



Suitable for $\phi 7-10$ wires

Note:

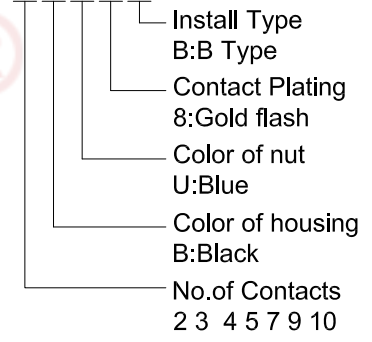
1. Rated voltage: 400V-500V
2. Rated current: 5A-10A
3. Insulation resistance: 2000M Ω
4. Withstand voltage: 1200V-1500V
5. Operating temperature: -30°C to +90°C
6. Wiring method: Welding

Materials:

1. Shell material: PA66
2. Insulation material: PPS
High temperature resistance 260°C
3. Contact material: Copper gold plating

Product Number Code:

DS1110-57-X X X X X



GENERAL TOLERANCE		ANGLE TOLERANCE		PROJECTION	TITLE
X.	± 0.60	X.	$\pm 5^\circ$		$\phi 17$ waterproof aviation plug flange type
.X	± 0.38	.X	$\pm 3^\circ$	mm	
.XX	± 0.25	.XX	$\pm 2^\circ$	A4	SERIES DS1110-57 Series
DRAWING TYPE		CUSTOMER		晨翔电子有限公司 CONNFLY CONNFLY ELECTRONIC CO. LTD	
SCALE		1:1	SHEET 1 OF 1		
DRAWING NO.		C-DS1110-57-XXXXX-A			

晨翔电子有限公司
CONNFLY CONNFLY ELECTRONIC CO. LTD

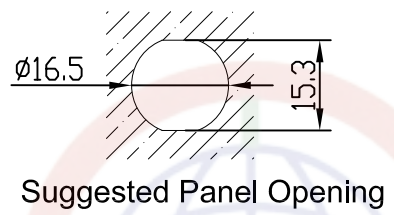
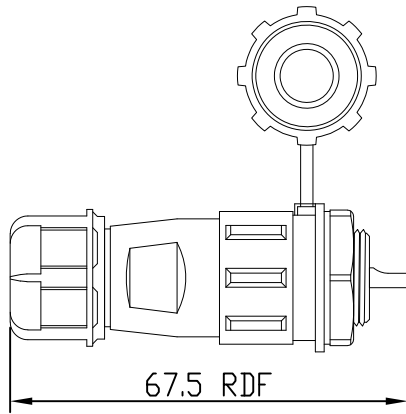
1 2 3 4 5 6 7 8

The information provided herein is from CONNFLY Electronic Co., Ltd. and is confidential. Any disclosure to a party other than the recipient is prohibited. The intellectual properties and its rights are strictly prohibited without prior written consent from CONNFLY. All intellectual properties provided herein are for reference purposes only and does not constitute authorization of its use in any format or manner. CONNFLY may enforce its intellectual property rights at its own discretion; failures or delays to exercise such rights does not constitute a waiver of such rights.

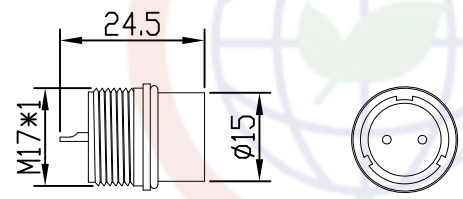
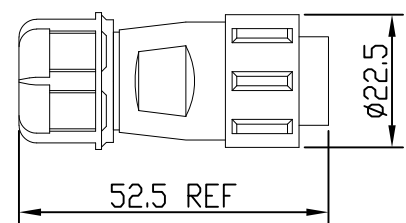
1 2 3 4 5 6 7 8

REV.	DESCRIPTION	DRAWN	CHECKED	APPROVED
A	NEW RELEASE	WPY 10/08/24'		

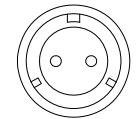
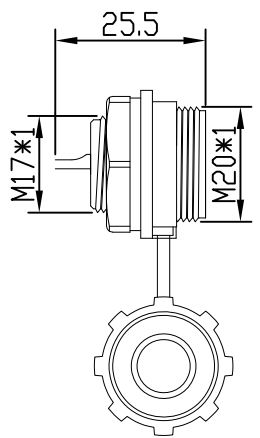
Assembly



Male



Famale



Suitable for $\phi 7-10$ wires

Note:

1. Rated voltage: 400V-500V
2. Rated current: 5A-10A
3. Insulation resistance: 2000M Ω
4. Withstand voltage: 1200V-1500V
5. Operating temperature: -30°C to +90°C
6. Wiring method: Welding

Materials:

1. Shell material: PA66
2. Insulation material: PPS
High temperature resistance 260°C
3. Contact material: Copper gold plating

Product Number Code:

DS1110-57-X X X X X

- Install Type
- C:C Type
- Contact Plating
- 8:Gold flash
- Color of nut
- U:Blue
- Color of housing
- B:Black
- No.of Contacts
- 2 3 4 5 7 9 10

GENERAL TOLERANCE		ANGLE TOLERANCE		PROJECTION		TITLE	$\phi 17$ waterproof aviation plug rear nut type
X.	± 0.60	X.	$\pm 5^\circ$	UNITS	mm	SERIES	DS1110-57 Series
.X	± 0.38	.X	$\pm 3^\circ$	SHEET SIZE	A4		
.XX	± 0.25	.XX	$\pm 2^\circ$				
DRAWING TYPE		CUSTOMER		晨翔电子有限公司 CONNFLY CONNFLY ELECTRONIC CO. LTD			
SCALE		1:1					
DRAWING NO.		C-DS1110-57-XXXXX-A					

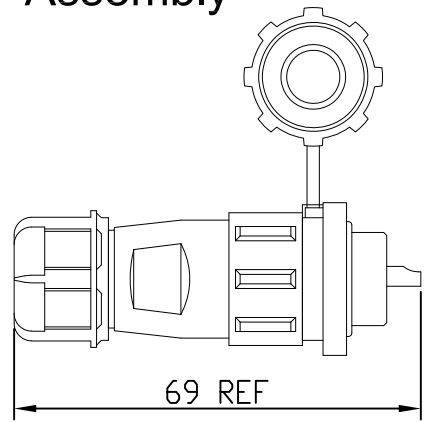
1 2 3 4 5 6 7 8

The information provided herein is from CONNFLY Electronic Co., Ltd. and is confidential. Any disclosure to a party other than the recipient is prohibited. The intellectual properties and its rights of CONNFLY Electronic Co., Ltd. are reserved. All rights reserved. CONNFLY Electronic Co., Ltd. does not constitute a waiver of such rights. Any modification is strictly prohibited without prior written consent from CONNFLY. All intellectual properties provided herein are for reference purposes only and does not constitute authorization of its use in any format or manner. CONNFLY may enforce its intellectual property rights at its own discretion; failures or delays to exercise such rights does not constitute a waiver of such rights.

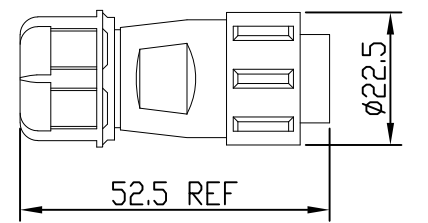
1 2 3 4 5 6 7 8

REV.	DESCRIPTION	DRAWN	CHECKED	APPROVED
A	NEW RELEASE	WPY 10/08/24'		

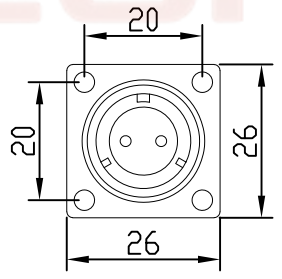
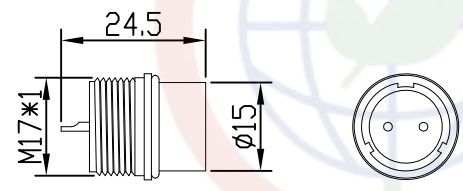
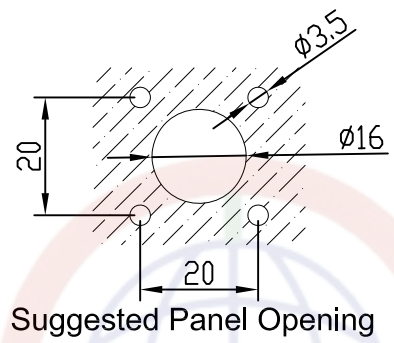
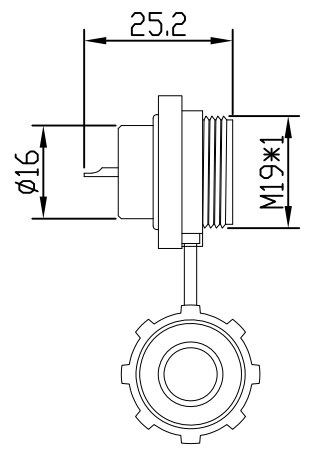
Assembly



Male



Female



Suitable for $\phi 7-10$ wires

Note:

1. Rated voltage: 400V-500V
2. Rated current: 5A-10A
3. Insulation resistance: 2000M Ω
4. Withstand voltage: 1200V-1500V
5. Operating temperature: -30°C to +90°C
6. Wiring method: Welding

Materials:

1. Shell material: PA66
2. Insulation material: PPS
High temperature resistance 260°C
3. Contact material: Copper gold plating

Product Number Code:

DS1110-57-X X X X X

- Install Type
- D:D Type
- Contact Plating
- 8: Gold flash
- Color of nut
- U: Blue
- Color of housing
- B: Black
- No. of Contacts
- 2 3 4 5 7 9 10

GENERAL TOLERANCE		ANGLE TOLERANCE		PROJECTION		TITLE	$\phi 17$ waterproof aviation plug square disc type
X.	± 0.60	X.	$\pm 5^\circ$	UNITS	mm	SERIES	DS1110-57 Series
.X	± 0.38	.X	$\pm 3^\circ$	SHEET SIZE	A4		
.XX	± 0.25	.XX	$\pm 2^\circ$				
DRAWING TYPE		CUSTOMER		晨翔电子有限公司 CONNFLY CONNFLY ELECTRONIC CO. LTD			
SCALE		1:1					
DRAWING NO.		C-DS1110-57-XXXXX-A					

1 2 3 4 5 6 7 8

Dept
Qty

DC 1
ED 1
IE 1
ISO 1
PD 1
R&D 1
SD 1
QA 1
QC 1
QE 1

The information provided herein is from CONNPLY Electronic Co., Ltd. and is confidential. Any disclosure to a party other than the recipient is prohibited. The intellectual properties and its rights are strictly prohibited without prior written consent from CONNPLY. All intellectual properties provided herein are for reference purposes only and does not constitute authorization of its use in any format or manner. CONNPLY may enforce its intellectual property rights at its own discretion; failures or delays to exercise such rights does not constitute a waiver of such rights.

REV.	DESCRIPTION	DRAWN	CHECKED	APPROVED
A	NEW RELEASE	WPY 10/08/24'		

Solder contact arrangement and spec

No.of Contacts	2	3	4	5	7	9	10
Male contact face view							
Rated current (A)	10A	10A	5A	5A	5A	5A	3A
Contact diameter	Ø1.5×2	Ø1.5×3	Ø1×4	Ø1×5	Ø1×7	Ø1×9	Ø1×10
Wiring method	Welding						
Working Voltage (AC.V)	400V	400V	400V	300V	300V	300V	300V
Testvoltage(AC.V)	1500V	1500V	1500V	1200V	1200V	1200V	1200V
Contact resistance(mΩ)	2.5mΩ	2.5mΩ	5mΩ	5mΩ	5mΩ	5mΩ	5mΩ
Wire Size (mm ² /AWG)	≤2/14	≤2/14	≤0.785/18	≤0.785/18	≤0.785/18	≤0.785/18	≤0.785/18

GENERAL TOLERANCE		ANGLE TOLERANCE	
X.	±0.60	X.	±5°
.X	±0.38	.X	±3°
.XX	±0.25	.XX	±2°
DRAWING TYPE		CUSTOMER	
SCALE	1:1	SHEET	1 OF 1
DRAWING NO.	C-DS1110-57-XXXX-A		

PROJECTION		TITLE	Ø17 Waterproof aviation plug solder series
UNITS	mm	SHEET	DS1110-57 Series
SHEET SIZE	A4	SERIES	DS1110-57 Series

晨翔电子有限公司
CONNPLY CONNPLY ELECTRONIC CO. LTD