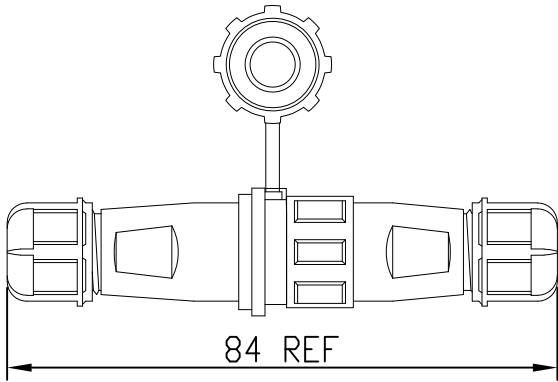


The information provided herein is from CONNFLY Electronic Co., Ltd. and is confidential. Any disclosure to a party other than the recipient is prohibited. The intellectual properties and its rights of CONNFLY Electronic Co., Ltd. are strictly protected. All rights reserved. Any modification is strictly prohibited without prior written consent from CONNFLY. All intellectual properties provided herein are for reference purposes only and does not constitute authorization of its use in any format or manner. CONNFLY may enforce its intellectual property rights at its own discretion; failures or delays to exercise such rights does not constitute a waiver of such rights.

1 2 3 4 5 6 7 8

REV.	DESCRIPTION	DRAWN	CHECKED	APPROVED
A	NEW RELEASE	WPY 10/08/24'		

Assembly



Suitable for $\phi 4-6.5$ 、 $\phi 5-8$ wires

Note:

1. Rated voltage: 125V-250V
2. Rated current: 3A-25A
3. Insulation resistance: 2000M Ω
4. Withstand voltage: 1000V-1500V
5. Operating temperature: -30 $^{\circ}$ C to +90 $^{\circ}$ C
6. Wiring method: Welding

Materials:

1. Shell material: PA66
2. Insulation material: PPS
High temperature resistance 260 $^{\circ}$ C
3. Contact material: Copper gold plating

Product Number Code:

DS1110-56-X X X X X

Install Type

A: A Type

Contact Plating

8: Gold flash

Color of nut

U: Blue

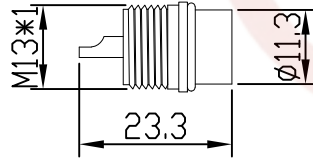
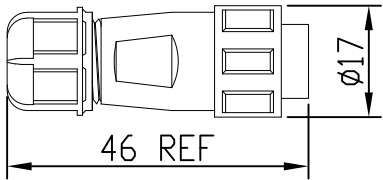
Color of housing

B: Black

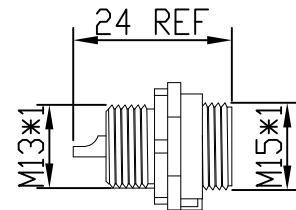
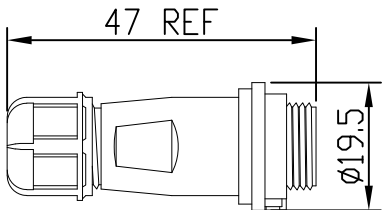
No. of Contacts

1 2 3 4 5 6 7 9

Male



Female



GENERAL TOLERANCE		ANGLE TOLERANCE	
X.	± 0.60	X.	$\pm 5^{\circ}$
.X	± 0.38	.X	$\pm 3^{\circ}$
.XX	± 0.25	.XX	$\pm 2^{\circ}$

PROJECTION	TITLE
	$\phi 13$ waterproof aviation plug docking type
UNITS	mm
SHEET SIZE	A4
SERIES	DS1110-56 Series

DRAWING TYPE	CUSTOMER
SCALE	1:1 SHEET 1 OF 1
DRAWING NO.	C-DS1110-56-XXXXX-A

晨翔电子有限公司
CONNFLY CONNFLY ELECTRONIC CO. LTD

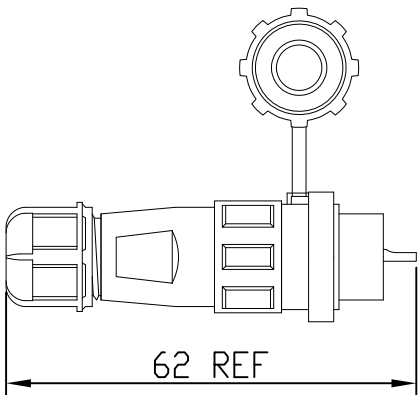
1 2 3 4 5 6 7 8

The information provided herein is from CONNFLY Electronic Co., Ltd. and is confidential. Any disclosure to a party other than the recipient is prohibited. The intellectual properties and its rights of CONNFLY Electronic Co., Ltd. are reserved. All rights reserved. Any modification is strictly prohibited without prior written consent from CONNFLY. All intellectual properties provided herein are for reference purposes only and does not constitute authorization of its use in any format or manner. CONNFLY may enforce its intellectual property rights at its own discretion; failures or delays to exercise such rights does not constitute a waiver of such rights.

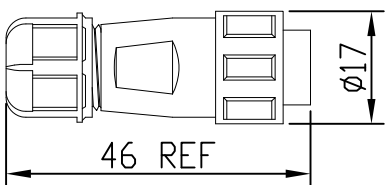
1 2 3 4 5 6 7 8

REV.	DESCRIPTION	DRAWN	CHECKED	APPROVED
A	NEW RELEASE	WPY 10/08/24'		

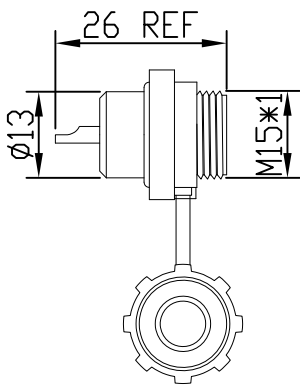
Assembly



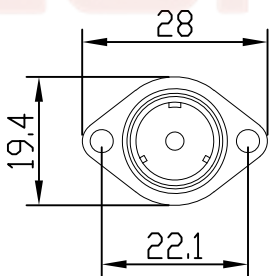
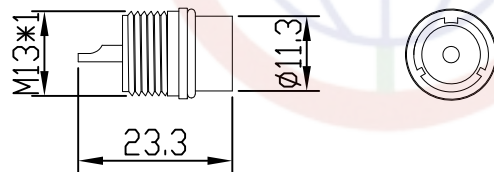
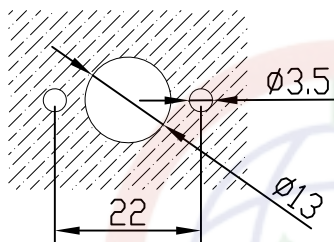
Male



Female



Suggested Panel Opening



Suitable for $\phi 4-6.5$ 、 $\phi 5-8$ wires

Note:

1. Rated voltage: 125V-250V
2. Rated current: 3A-25A
3. Insulation resistance: 2000M Ω
4. Withstand voltage: 1000V-1500V
5. Operating temperature: -30 $^{\circ}$ C to +90 $^{\circ}$ C
6. Wiring method: Welding

Materials:

1. Shell material: PA66
2. Insulation material: PPS
High temperature resistance 260 $^{\circ}$ C
3. Contact material: Copper gold plating

Product Number Code:

DS1110-56-X X X X X

- Install Type
- B: B Type
- Contact Plating
- 8: Gold flash
- Color of nut
- U: Blue
- Color of housing
- B: Black
- No. of Contacts
- 1 2 3 4 5 6 7 9

GENERAL TOLERANCE		ANGLE TOLERANCE	
X.	± 0.60	X.	$\pm 5^{\circ}$
.X	± 0.38	.X	$\pm 3^{\circ}$
.XX	± 0.25	.XX	$\pm 2^{\circ}$

DRAWING TYPE	CUSTOMER		
SCALE	1:1	SHEET	1 OF 1
DRAWING NO.	C-DS1110-56-XXXXX-A		

PROJECTION		TITLE	$\phi 13$ waterproof aviation plug flange type
UNITS	mm	SERIES	DS1110-56 Series

晨翔电子有限公司
CONNFLY CONNFLY ELECTRONIC CO. LTD

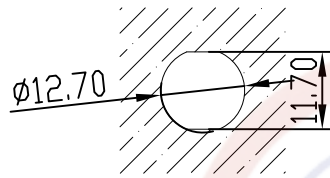
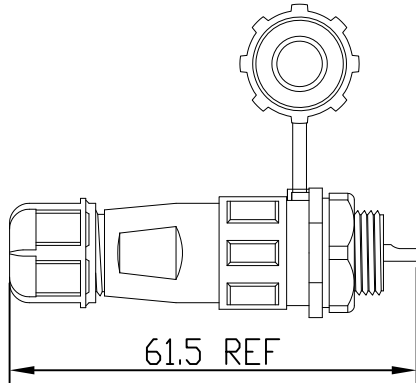
1 2 3 4 5 6 7 8

The information provided herein is from CONNFLY Electronic Co., Ltd. and is confidential. Any disclosure to a party other than the recipient is prohibited. The intellectual properties and its rights of CONNFLY Electronic Co., Ltd. are reserved. All intellectual properties provided herein are for reference purposes only and does not constitute authorization of its use in any format or manner. CONNFLY may enforce its intellectual property rights at its own discretion; failures or delays to exercise such rights does not constitute a waiver of such rights.

1 2 3 4 5 6 7 8

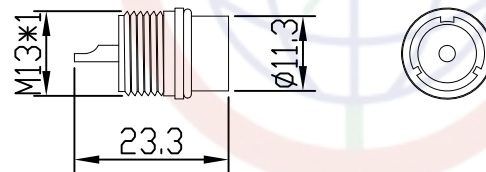
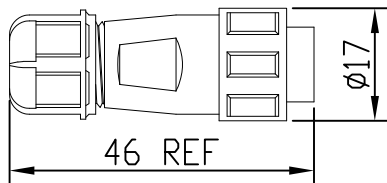
REV.	DESCRIPTION	DRAWN	CHECKED	APPROVED
A	NEW RELEASE	WPY 10/08/24'		

Assembly

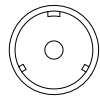
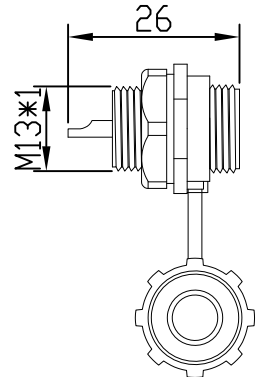


Suggested Panel Opening

Male



Female



Suitable for $\phi 4-6.5$ 、 $\phi 5-8$ wires

Note:

1. Rated voltage: 125V-250V
2. Rated current: 3A-25A
3. Insulation resistance: 2000M Ω
4. Withstand voltage: 1000V-1500V
5. Operating temperature: -30 $^{\circ}$ C to +90 $^{\circ}$ C
6. Wiring method: Welding

Materials:

1. Shell material: PA66
2. Insulation material: PPS
3. Contact material: Copper gold plating

High temperature resistance 260 $^{\circ}$ C

Product Number Code:

DS1110-55-X X X X X

- Install Type
- C: C Type
- Contact Plating
- 8: Gold flash
- Color of nut
- U: Blue
- Color of housing
- B: Black
- No. of Contacts
- 1 2 3 4 5 6 7 9

GENERAL TOLERANCE		ANGLE TOLERANCE		PROJECTION		TITLE	$\phi 13$ waterproof aviation plug rear nut type
X.	± 0.60	X.	$\pm 5^{\circ}$	UNITS	mm	SERIES	DS1110-56 Series
.X	± 0.38	.X	$\pm 3^{\circ}$	SHEET SIZE	A4		
.XX	± 0.25	.XX	$\pm 2^{\circ}$				
DRAWING TYPE		CUSTOMER		晨翔电子有限公司 CONNFLY CONNFLY ELECTRONIC CO. LTD			
SCALE		1:1	SHEET 1 OF 1				
DRAWING NO.		C-DS1110-56-XXXXX-A					

1 2 3 4 5 6 7 8

Dept	
Qty	
DC	1
ED	1
IE	1
ISO	1
PD	1
R&D	1
SD	1
QA	1
QC	1
QE	1

REV.	DESCRIPTION	DRAWN	CHECKED	APPROVED
A	NEW RELEASE	WPY 10/08/24'		

Solder contact arrangement and spec

No.of Contacts	1	2	3	4	5	6	7	9
Malc contact face view								
Rated current (A)	25A	13A	13A	5A	5A	5A	5A	3A
Contact diameter	Ø2.5×1	Ø1.6×2	Ø1.6×3	Ø1×4	Ø1×5	Ø1×6	Ø1×7	Ø0.7×9
Wiring method	Welding							
Woring Voltage (AC. V)	250V	250V	250V	200V	180V	125V	125V	125V
Testvoltage (AC. V)	1500V	1500V	1500V	1500V	1000V	1000V	1000V	1000V
Contact resistance (mΩ)	2mΩ	2mΩ	2mΩ	5mΩ	5mΩ	5mΩ	5mΩ	10mΩ
Wire Size (mm ² /AWG)	≤4/11	≤2/14	≤2/14	≤0.785/18	≤0.785/18	≤0.785/18	≤0.785/18	≤0.5/20

The information provided herein is from CONNPLY Electronic Co., Ltd. and is confidential. Any disclosure to a party other than the recipient is prohibited. The intellectual properties and its rights of CONNPLY Electronic Co., Ltd. are strictly protected. All intellectual properties provided herein are for reference purposes only and does not constitute authorization of its use in any format or manner. CONNPLY may enforce its intellectual property rights at its own discretion; failures or delays to exercise such rights does not constitute a waiver of such rights.

GENERAL TOLERANCE		ANGLE TOLERANCE	
X.	±0.60	X.	±5°
.X	±0.38	.X	±3°
.XX	±0.25	.XX	±2°
DRAWING TYPE		CUSTOMER	
SCALE	1:1	SHEET	1 OF 1
DRAWING NO.	C-DS1110-56-XXXXX-A		

PROJECTION		TITLE	Ø13 Waterproof aviation plug solder series
UNITS	mm	SERIES	DS1110-56 Series
SHEET SIZE	A4		

晨翔电子有限公司
CONNPLY CONNPLY ELECTRONIC CO. LTD