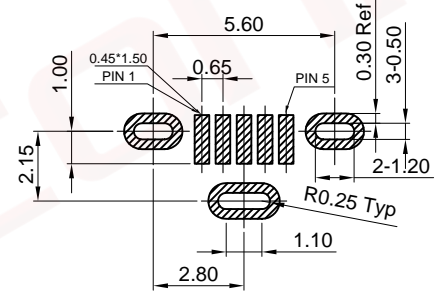
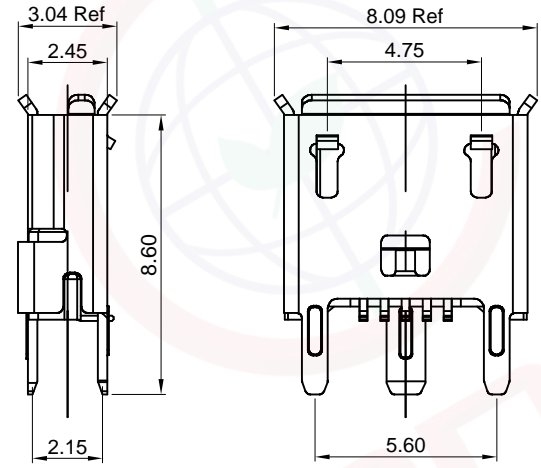
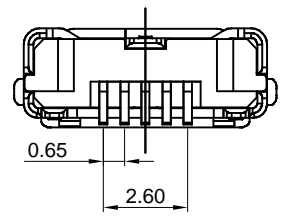
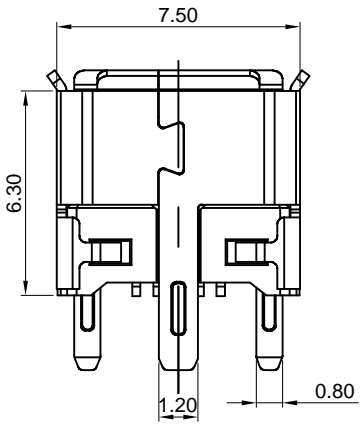
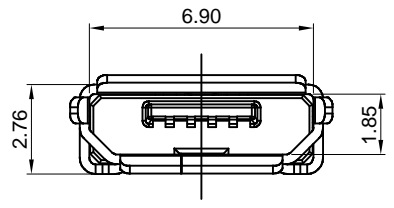


Dept	
Qty	
DC	1
ED	1
IE	1
ISO	1
PD	1
R&D	1
SD	1
QA	1
QC	1
QE	1

The information provided herein is from CONNELY Electronic Co., Ltd. and is confidential. Any disclosure to a party other than the recipient is prohibited. The intellectual properties and its rights contained herein, including but not limited to, trademarks, patents, copyrights, trade secrets, and technical know-how, are owned exclusively by CONNELY or its affiliates. Unauthorized use or reproduction of any part of this document is strictly prohibited. CONNELY may enforce its intellectual property rights at its own discretion, failures or delays to exercise such rights does not constitute a waiver of such rights.

REV.	DESCRIPTION	DRAWN	CHECKED	APPROVED
A	NEW RELEASE	JLZ 03/22/18'		
B	DRAWING UPDATE	JLZ 04/23/22'		



Recommend PCB layout  
(Tolerance:±0.05)



(Series Image-Reference Only)

Notes:

Specifications:

- Contact Resistance: 30mΩ Max.
- Insulation Resistance: 100MΩ Min.
- Dielectric Withstanding Voltage: 100V AC(rms) For 1 Minute.
- Current Rating:1A Max
- Voltage Rating:30V Max
- Temperature: -30°C~+80°C.

Materials:

- Contact Material: Copper Alloy.
- Shell Material: Stainless Steel.
- Insulator Material: Thermoplastic,Black.

Mechanical Characteristics:

- Mating Force:3.57Kgf Maximum.
- Unmating Force:1.02Kgf Minimum.
- Durability:3000 Cycles

Product Number Code:

DS1105-11 - X X X X X X X X

- Pick up support: S: W/ Pick up
- Packing type: R: Tape on reel
- Shell Plated: N: Nickel
- Color of housing: B: Black
- Contact plated: 8: Full gold flash
- Mounting type: S: SMT type
- Connector type: S: Socket
- No. of contacts: 05: 5Pin

GENERAL TOLERANCE		ANGLE TOLERANCE	
X.	±0.60	X.	±5°
.X	±0.38	.X	±3°
.XX	±0.25	.XX	±2°
DRAWING TYPE		CUSTOMER	
SCALE	1:1	SHEET	1 OF 1
DRAWING NO.	C-DS1105-11-XXXXXXX-B		

PROJECTION	TITLE
	Micro USB B Type Female 5 Positions V/T SMT Type
UNITS	mm
SHEET SIZE	A4
SERIES	DS1105-11 SERIES

晨翔电子有限公司  
CONNFLY CONNELY ELECTRONIC CO., LTD