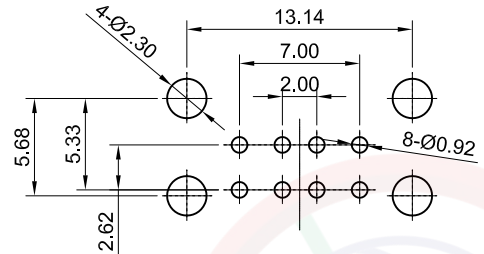
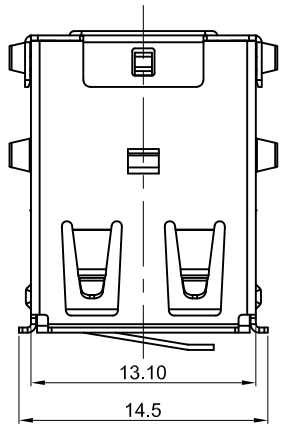


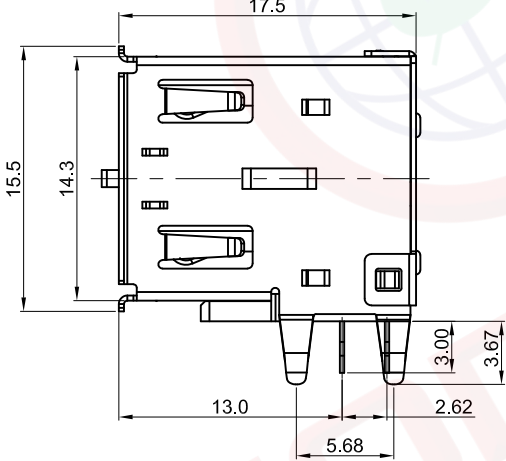
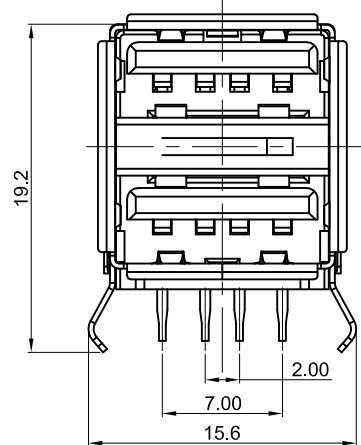
The information provided herein is from CONNELY Electronic Co., Ltd. and is confidential. Any disclosure to a party other than the recipient is prohibited. The intellectual properties and its rights contained herein, including but not limited to, trademarks, patents, copyrights, trade secrets, and technical know-how, are owned exclusively by CONNELY or its affiliates. Unauthorized use or reproduction of this document in any format or manner. CONNELY may enforce its intellectual property rights at its own discretion; failures or delays to exercise such rights does not constitute a waiver of such rights.

1 2 3 4 5 6 7 8

Dept	Qty
DC	1
ED	1
IE	1
ISO	1
PD	1
R&D	1
SD	1
QA	1
QC	1
QF	1



Recommend PCB layout
Tolerance±0.05



(Series Image-Reference Only)

REV.	DESCRIPTION	DRAWN	CHECKED	APPROVED
A	NEW RELEASE	LJH 05/10/05'		LJC 05/10/05'
C	DRAWING UPDATE	JLZ 03/23/17'	HZW 03/23/17'	LJC 03/23/17'
D	DRAWING UPDATE	JLZ 04/22/19'		
E	DRAWING UPDATE	JLZ 07/25/23'		

NOTES:

- Specifications:
 - 1.0 Contact resistance:30mΩ max.
 - 1.1 Insulator resistance:1000MΩ min.at DC 500V.
 - 1.2 Current rating:1.5A.
 - 1.3 Voltage rating:30V DC.
 - 1.4 Dielectric strength:AC 500V for 1 minute.
- Materials:
 - 2.0 Housing:PBT+Glass fiber(UL 94-0).
 - 2.1 Contact:Copper alloy.
 - 2.2 Shell:Copper alloy.
- Environment characteristics:
 - 3.1 Temperature: -20°C~+85°C.

4. Product number code:

DS1096 - X X X X - X

- Shell material
 - Fe: Steel
 - N/A Code: Copper alloy
- Shell type
 - S: W/ shrapnel
 - X: W/O shrapnel
- Contact plating
 - 0: Selective gold flash
 - 03: Selective gold 3u"
 - 30: Selective gold 30u"
- Shell plating
 - N: Nickel
 - 6: Tin
- Color of housing
 - W: White
 - B: Black

GENERAL TOLERANCE		ANGLE TOLERANCE		PROJECTION		TITLE	USB DUAL 8 PIN RECEPTALCE RIGHT ANGLE TYPE	
X.	±0.60	X.	±5°	UNITS	mm			
.X	±0.38	.X	±3°	SHEET SIZE	A4	SERIES	DS1096 SERIES	
.XX	±0.25	.XX	±2°					
DRAWING TYPE		CUSTOMER			晨翔电子有限公司 CONNFLY CONNFLY ELECTRONIC CO. LTD			
SCALE		1:1	SHEET 1 OF 1					
DRAWING NO.		C-DS1096-XXXX-E						

1 2 3 4 5 6 7 8