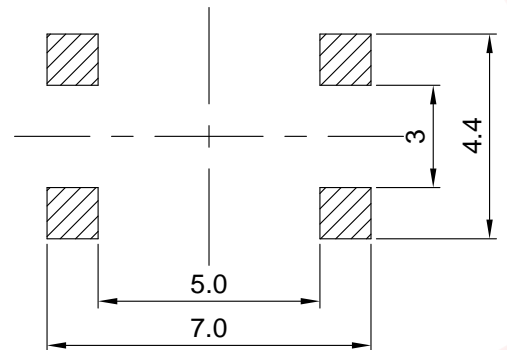
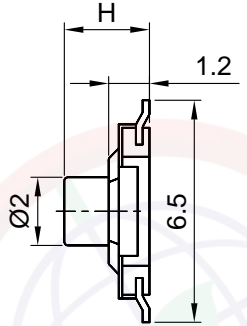
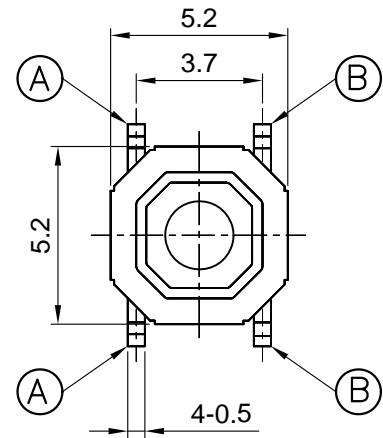
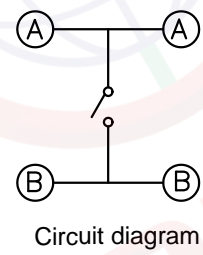


Dept	
Qty	
DC	1
ED	1
IE	1
ISO	1
PD	1
R&D	1
SD	1
QA	1
QC	1
QE	1

The information provided herein is from CONNELY Electronic Co., Ltd. and is confidential. Any disclosure to a party other than the recipient is prohibited. The intellectual properties and its rights contained herein, including but not limited to, trademarks, patents, copyrights, trade secrets, and technical know-how, are owned exclusively by CONNELY or its affiliates. Unauthorized use or modification is strictly prohibited. CONNELY may enforce its intellectual property rights at its own discretion, failure or delays to exercise such rights does not constitute a waiver of such rights.



Recommend PCB layout
Tolerance±0.05



(Series Image-Reference Only)

REV.	DESCRIPTION	DRAWN	CHECKED	APPROVED
A	NEW RELEASE	JLZ 03/31/17'	HZW 03/31/17'	LJC 03/31/17'
B	DRAWING UPDATE	JLZ 01/17/18'		
C	DRAWING UPDATE	JLZ 04/12/23'		

NOTES:

- Specifications
 - Switch Function: Single Pole Single Throw
 - Contact Rating: 50mA at 12Vdc
 - Insulation Resistance:100MΩ min.
 - Contact Resistance:100mΩ max.
 - Operating Life:100,000 cycles
 - Operation Temperature Range: -25°C to +70°C
 - Wave Soldering: Recommended Solder Temperature At 500°f(260°C)max. 5 Seconds,Subject To PCB 1.6mm Thickness.
 - Hand Soldering: Use Soldering Iron Of 30 Watts,Controlled At 608°f(320°C)Approximately 2 Seconds.
- Product number code:

DS1042-09 - X X X X X X X

- Operating Life
10: 100000 cycles
- Operating force
250: 250gf
- Packing type
R: Tape & reel
- Actuator color
W: White
Y: Yellow
K: Black
- Housing color
K: Black
- Profile Height(DIM. H)
1:1.7mm 2:2.5mm
015:1.5mm 020:2.0mm 023:2.3mm
035:3.5mm 040:4.0mm 045:4.5mm
050:5.0mm
- Size
1: 5.2mm*5.2mm

GENERAL TOLERANCE	ANGLE TOLERANCE	PROJECTION		TITLE	TACT SWITCH SMT TYPE
X. ±0.60	X. ±5°	UNITS	mm		5.2mmX5.2mm
.X ±0.38	.X ±3°	SHEET SIZE	A4	SERIES	DS1042-09 SERIES
.XX ±0.25	.XX ±2°	晨翔电子有限公司 CONNELY CONNELY ELECTRONIC CO. LTD			
DRAWING TYPE	CUSTOMER				
SCALE	1:1 SHEET 1 OF 1				
DRAWING NO.	C-DS1042-09-XXXXXX-C				