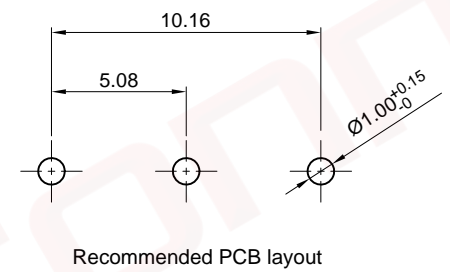
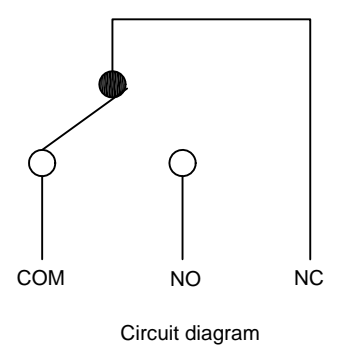
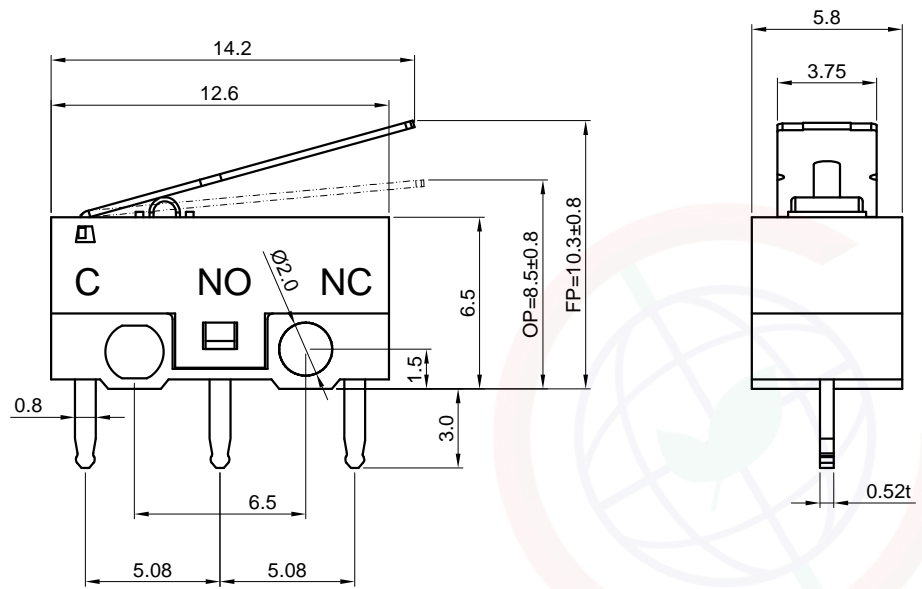


Dept	
Qty	
DC	1
ED	1
IE	1
ISO	1
PD	1
R&D	1
SD	1
QA	1
QC	1
QE	1

The information provided herein is from CONNELY Electronic Co., Ltd. and is confidential. Any disclosure to a party other than the recipient is prohibited. The intellectual properties and its rights contained herein, including but not limited to, trademarks, patents, copyrights, trade secrets, and technical know-how, are owned exclusively by CONNELY or its affiliates. Unauthorized use or reproduction of any part of this document is strictly prohibited. CONNELY may enforce its intellectual property rights at its own discretion, failures or delays to exercise such rights does not constitute a waiver of such rights.

REV.	DESCRIPTION	DRAWN	CHECKED	APPROVED
A	NEW RELEASE	JLZ 10/28/21'		



(Series Image-Reference Only)

NOTES:

- Electrical characteristics:
  - Contact resistance: 50mΩ Max.
  - Insulation resistance: 100MΩ Min.
  - Voltage rating: 125V.
  - Current rating: 1A.
- Environment characteristics:
  - temperature: -25°C~+85°C.
- Product number code:
 

DS1041-27 - X X X X X X

- Operating Life  
100: 1000000 cycles
- Packing type  
A: Polybag
- Operating force  
030: 30±10gf
- Cover color  
B: Black
- Housing color  
T: Transparent
- No. of positions  
03: 3p

GENERAL TOLERANCE		ANGLE TOLERANCE		PROJECTION		TITLE	
X.	±0.60	X.	±5°	UNITS	mm	5.08mm Micro Switch	
.X	±0.38	.X	±3°	SHEET SIZE	A4	SERIES	DS1041-27 SERIES
.XX	±0.25	.XX	±2°	<b>晨翔电子有限公司</b> <b>CONNFLY ELECTRONIC CO., LTD</b>			
DRAWING TYPE		CUSTOMER					
SCALE	1:1	SHEET	1 OF 1				
DRAWING NO.		C-DS1041-27-XXXXXX-A					