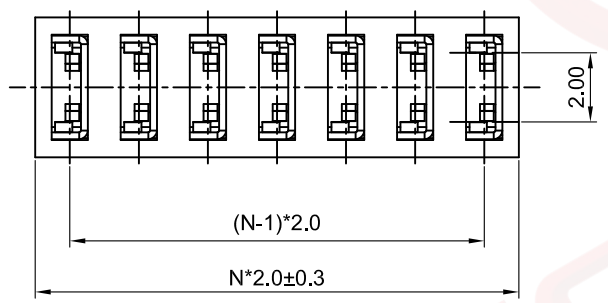
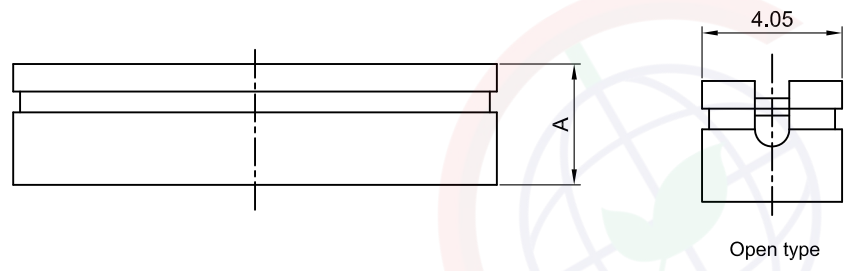


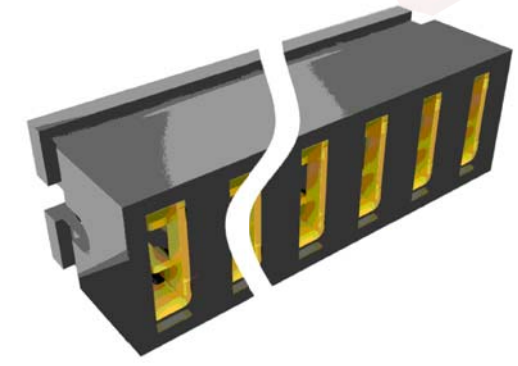
The information provided herein is from CONNELY Electronic Co., Ltd. and is confidential. Any disclosure to a party other than the recipient is prohibited. The intellectual properties and its rights contained herein, including but not limited to, trademarks, patents, copyrights, trade secrets, and technical know-how, are owned exclusively by CONNELY or its affiliates. Unauthorized use of this information in any format or manner. CONNELY may enforce its intellectual property rights at its own discretion; failures or delays to exercise such rights does not constitute a waiver of such rights.

1 2 3 4 5 6 7 8

REV.	DESCRIPTION	DRAWN	CHECKED	APPROVED
A	NEW RELEASE	LJC 08/16/07'		LJC 08/16/07'
B	DRAWING UPDATE	JLZ 01/16/24'		



N=Number of Ports



(Series Image-Reference Only)

- Notes:
- Specifications:
- Contact Resistance: 30mΩ Max.
 - Insulation Resistance: 500MΩ Min.
 - Dielectric Withstanding Voltage: 250V AC(rms) For 1 Minute.
 - Current Rating:1.5A.
 - Temperature: -40°C~+105°C.
- Materials:
- Contact Material: Copper Alloy.
 - Insulator Material: Thermoplastic.
- Product Number Code:
- DS1028-01 - X X X X X
- Profile height(DIM A): 3:3.5mm
 - Contact plating: F1: Full gold flash N: Nickel 2: Gold+Nickel
 - Housing color: B: Black U:Blue Y:Yellow W: White E:Green R:Red
 - Housing type: A:Open
 - No.of contacts: 3~10

GENERAL TOLERANCE		ANGLE TOLERANCE		PROJECTION		TITLE	2.00mm Mini Jumper Stack type 3-10 ports	
X.	±0.60	X.	±5°	UNITS	mm			
.X	±0.38	.X	±3°	SHEET SIZE	A4	SERIES	DS1028-01 SERIES	
.XX	±0.25	.XX	±2°	晨翔电子有限公司 CONNELY CONNELY ELECTRONIC CO. LTD				
DRAWING TYPE		CUSTOMER						
SCALE		1:1	SHEET 1 OF 1					
DRAWING NO.		C-DS1028-01-XXXXX-B						

1 2 3 4 5 6 7 8