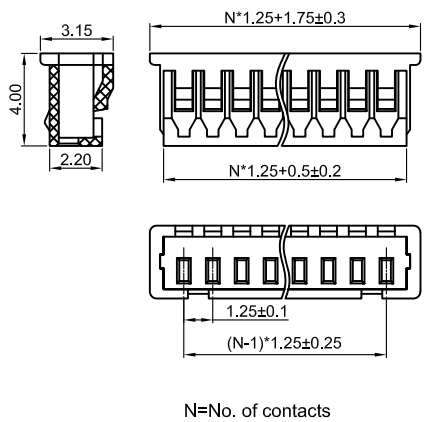
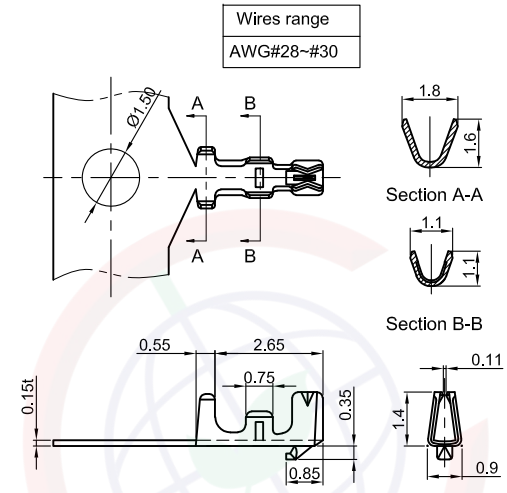


The information provided herein is from CONNELY Electronic Co., Ltd. and is confidential. Any disclosure to a party other than the recipient is prohibited. The intellectual properties and its rights contained herein, including but not limited to, trademarks, patents, copyrights, trade secrets, and technical know-how, are owned exclusively by CONNELY or its affiliates. Unauthorized use of this information in any format or manner. CONNELY may enforce its intellectual property rights at its own discretion; failures or delays to exercise such rights does not constitute a waiver of such rights.

Female Housing

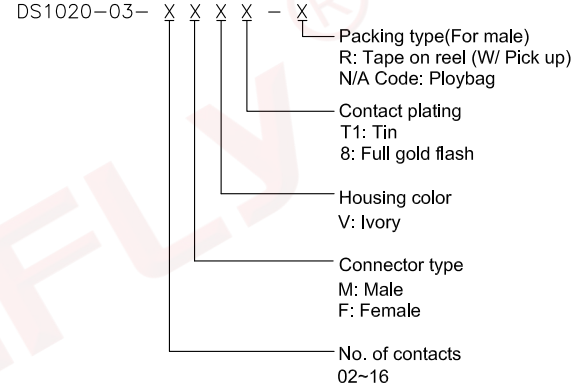


Female Terminal

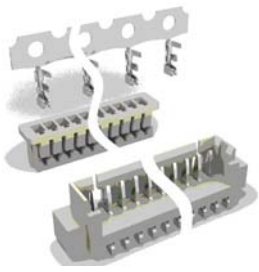
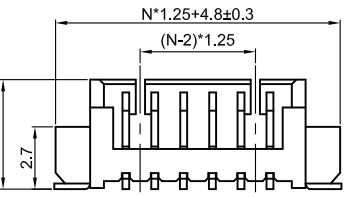
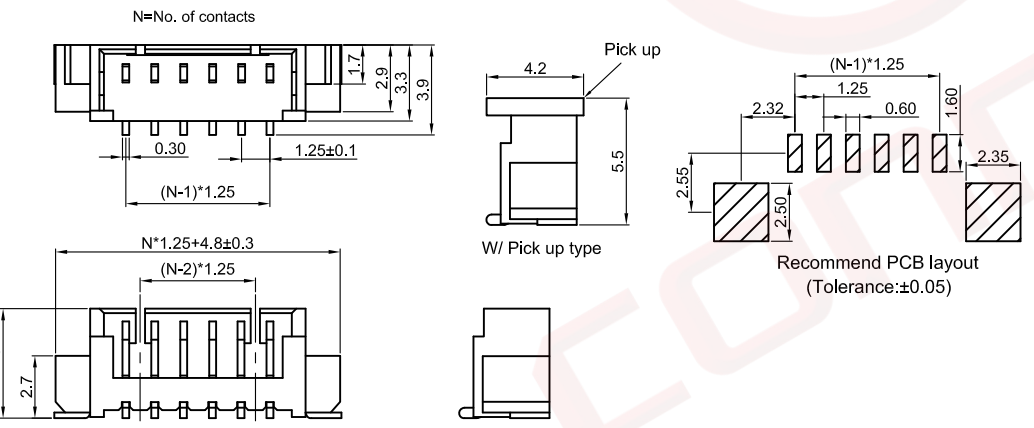


REV.	DESCRIPTION	DRAWN	CHECKED	APPROVED
A	NEW RELEASE	YCH 09/04/08'		LJC 09/04/08'
D	DRAWING UPDATE	JLZ 06/03/20'		
E	DRAWING UPDATE	JLZ 08/16/24'		

- NOTES:
- Materials
 - 1.1 Insulator: Thermoplastic (UL 94V-0).
 - 1.2 Contact: Copper alloy.
 - Specification
 - 2.1 Temperature: $-40^{\circ}\text{C} \sim +105^{\circ}\text{C}$.
 - 2.2 Contact resistance: $20\text{m}\Omega$ max.
 - 2.3 Insulation resistance: $100\text{M}\Omega$ min.
 - 2.4 Dielectric withstanding voltage: AC 250V per minute.
 - Product number code:



Terminal P/N Code:
 T - DS1020-03 - S C X 0 0
 Plating:
 6: Tin



GENERAL TOLERANCE		ANGLE TOLERANCE	
X.	± 0.60	X.	$\pm 5^{\circ}$
.X	± 0.38	.X	$\pm 3^{\circ}$
.XX	± 0.25	.XX	$\pm 2^{\circ}$

DRAWING TYPE	CUSTOMER
SCALE	1:1 SHEET 1 OF 1
DRAWING NO.	C-DS1020-03-XXXX-X-E

PROJECTION	TITLE
	1.25mm Wafer Connector
UNITS	V/T SMT Type
SHEET SIZE	SERIES DS1020-03 SERIES

