

REV.	DESCRIPTION	DRAWN	CHECKED	APPROVED
A	NEW RELEASE	WPY 03/06/26'		

NOTES:

Rated voltage:250V
 Rated current:10A
 Wire range:26~14AWG
 Temp.Range:-40°C~+105°C
 Pitch:5.00mm
 Box size:19.5*13*3.6CM

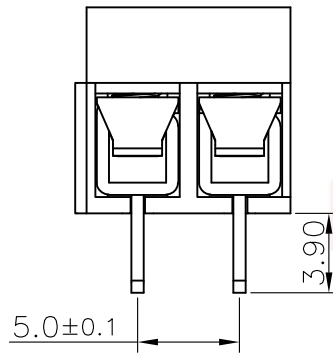
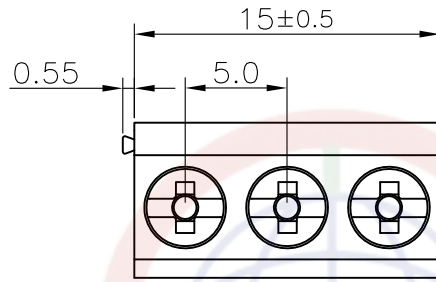
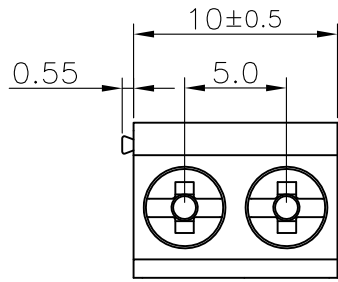
Materials:

Contact: Copper Alloy,Tin plated.
 Insulator: Nylon.
 Wire guard:Copper Alloy,Nickel Plated.
 Screw:M2.5,Steel,Zinc Plated.
 Product Number Code:
 DC126-BOX-01

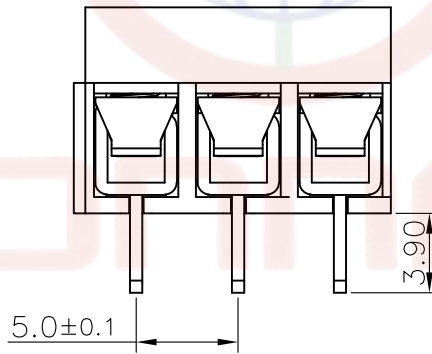


GENERAL TOLERANCE		ANGLE TOLERANCE		PROJECTION	UNIT	TITLE		
X.	±0.30	X.	±2°		mm	300PCS 5.0mm PCB Terminal Blocks		
.X	±0.20	.X	±1°			SHEET SIZE	A4	
.XX	±0.15	.XX	±0.5°			SERIES	DC126 Series	
DRAWING TYPE		CUSTOMER DRAWING		晨翔电子有限公司 CONNFLY CONNFLY ELECTRONIC CO. LTD				
SCALE		1:1	SHEET					1 OF 2
DRAWING NO.		C-DC126-BOX-01-A						

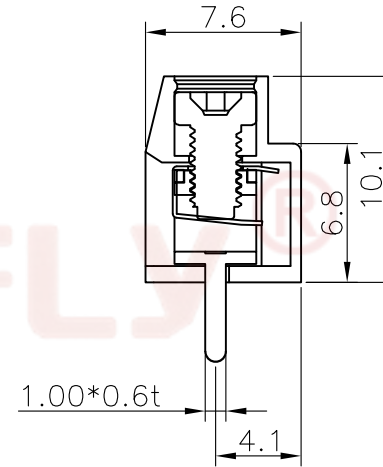
REV.	DESCRIPTION	DRAWN	CHECKED	APPROVED
A	NEW RELEASE	WPY 03/06/26'		



2PIN




3PIN



GENERAL TOLERANCE		ANGLE TOLERANCE	
X.	±0.30	X.	±2°
.X	±0.20	.X	±1°
.XX	±0.15	.XX	±0.5°

PROJECTION		TITLE	5.0mm PCB Terminal Blocks	
UNITS	mm	SERIES	DC126 Series	
SHEET SIZE	A4			

DRAWING TYPE	CUSTOMER DRAWING			
SCALE	1:1	SHEET	2 OF 2	
DRAWING NO.	C-DC126-BOX-01-A			

 晨翔电子有限公司
CONNFLY CONNFLY ELECTRONIC CO. LTD