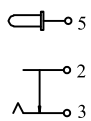
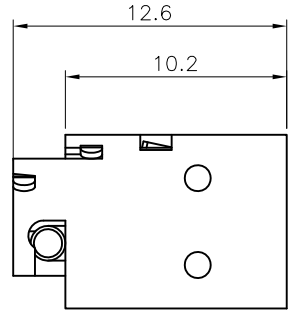
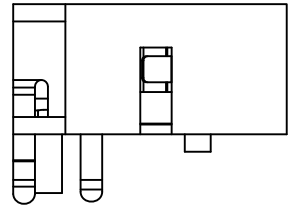
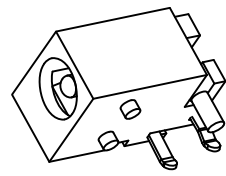


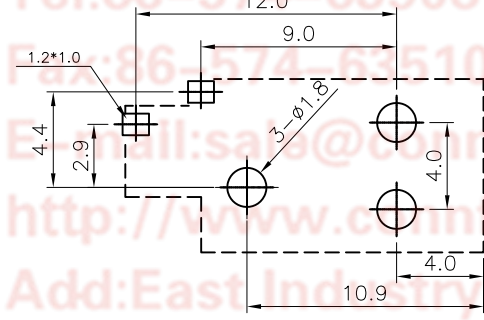
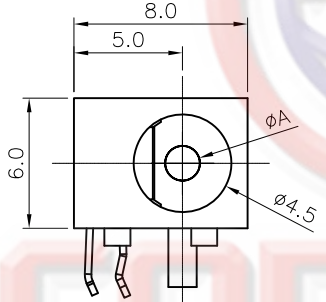
Dept  
Qty  
DC 1  
ED 1  
IE 1  
ISO 1  
PD 1  
R&D 1  
SD 1  
QA 1  
QC 1  
QF 1

The information provided herein is from CONNELY Electronic Co., Ltd. and is confidential. Any disclosure to a party other than the recipient is prohibited. The intellectual properties and its rights contained herein, including but not limited to, trademarks, patents, copyrights, trade secrets, and technical know-how, are owned exclusively by CONNELY or its affiliates. Unauthorized use of this information in any format or manner. CONNELY may enforce its intellectual property rights at its own discretion; failures or delays to exercise such rights does not constitute a waiver of such rights.

REV.	DESCRIPTION	DRAWN	CHECKED	APPROVED
A	NEW RELEASE	JLZ 07/13/18'		



CIRCUIT DIAGRAM



RECOMMEND PCB LAYOUT

NOTES:

- ELECTRICAL CHARACTERISTICS:
  - CONTACT RESISTANCE: 30mΩ Max.
  - DIELECTRIC WITHSTANDING VOLTAGE: 250V AC(rms) FOR 1 MINUTE.
  - INSULATION RESISTANCE: 100MΩ Min.
  - CURRENT RATING:3A.
- ENVIRONMENT CHARACTERISTICS:
  - TEMPERATURE: -25°C~+70°C.
- MATERIALS
  - CONTACT MATERIAL: COPPER ALLOY.
  - CONTACT PLATING: Ag
  - INSULATOR MATERIALS: NYLON, BLACK.
- PRODUCT NUMBER CODE:

DS1152-03 - X X X X X 0 X X

- Pin Dim. A type  
0: A=1.6mm
- Packing type  
P: Ploybag
- Housing color  
B: Black
- Contact Plating  
Y: Full Silver
- Mounting type  
R: R/A type
- Connector type  
S: Socket
- No.OF CONTACTS  
03

Tel:86-574-63508787  
 Fax:86-574-63510817  
 E-mail:sales@connfly.com  
 http://www.connfly.com  
 Add:East Industry Zone KuangYan  
 Town Cixi Ningbo China  
 P.C:315333

GENERAL TOLERANCE		ANGLE TOLERANCE		PROJECTION	TITLE
X.	±0.60	X.	±5°		mm
.X	±0.38	.X	±3°	UNITS	
.XX	±0.25	.XX	±2°	SHEET SIZE	A4
DRAWING TYPE				CUSTOMER	
SCALE		1:1	SHEET 1 OF 1		
DRAWING NO.		C-DS1152-03-XXXXX0XX-A			
				晨翔电子有限公司 CONNELY CONNELY ELECTRONIC CO. LTD	

Ø4.5mm DC Power Jack R/A Type

SERIES DS1152-03 SERIES