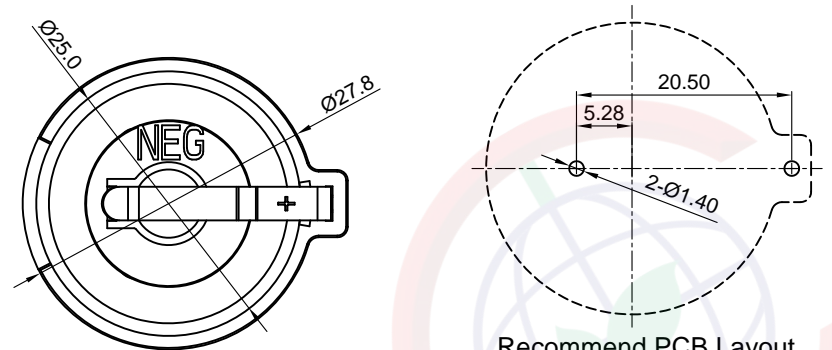


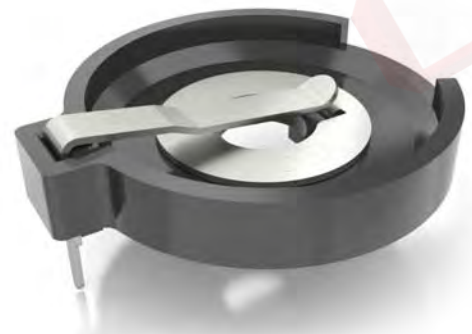
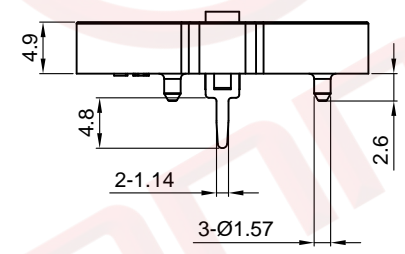
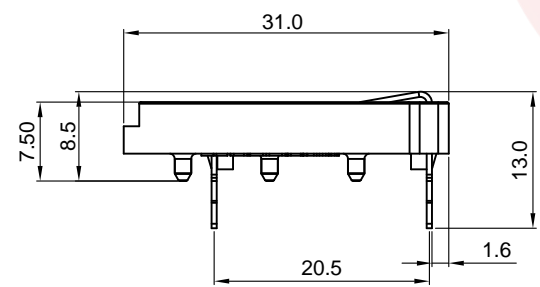
Dept	Qty
DC	1
ED	1
IE	1
ISO	1
PD	1
R&D	1
SD	1
QA	1
QC	1
QE	1

The information provided herein is from CONNPLY Electronic Co., Ltd. and is confidential. Any disclosure to a party other than the recipient is prohibited. The intellectual properties and its rights contained herein, including but not limited to, trademarks, patents, copyrights, trade secrets, and technical know-how, are owned exclusively by CONNPLY or its affiliates. Unauthorized use or reproduction of any part of this document is strictly prohibited. CONNPLY may enforce its intellectual property rights at its own discretion, failures or delays to exercise such rights does not constitute a waiver of such rights.

REV.	DESCRIPTION	DRAWN	CHECKED	APPROVED
A	NEW RELEASE	YCH 12/03/10'		
B	DRAWING UPDATE	JLZ 03/31/21'		



Recommend PCB Layout  
Tolerance: ±0.05



(Series Image-Reference Only)

NOTE:

- Materials:
  - 1.1 Base: PBT, UL94 V-0, Color of black. Temp. Range: -40°C to +105°C.
  - 1.2 Positive & Negative Contacts: 0.5t Spring Steel.
  - 1.3 Contact Plating: Nickel.
- Specification:
  - 2.1 Dielectric Withstanding Voltage: AC 500V AC.
  - 2.2 Insulation Resistance: 1000MQ min.
  - 2.3 Current Rating: 3A.
- Part Number Code:
 

DS1092 - X X X

- Housing material:  
P: PBT
- Contact plating:  
N: Nickel
- Housing color:  
B: Black

GENERAL TOLERANCE		ANGLE TOLERANCE		PROJECTION		TITLE	24mm Lithium Coin Cell Battery Holders	
X.	±0.60	X.	±5°	UNITS	mm			
.X	±0.38	.X	±3°	SHEET SIZE	A4	SERIES	DS1092 SERIES	
.XX	±0.25	.XX	±2°	<b>晨翔电子有限公司</b> <b>CONNPLY ELECTRONIC CO. LTD</b>				
DRAWING TYPE		CUSTOMER						
SCALE		1:1						
DRAWING NO.		C-DS1092-XXX-B						